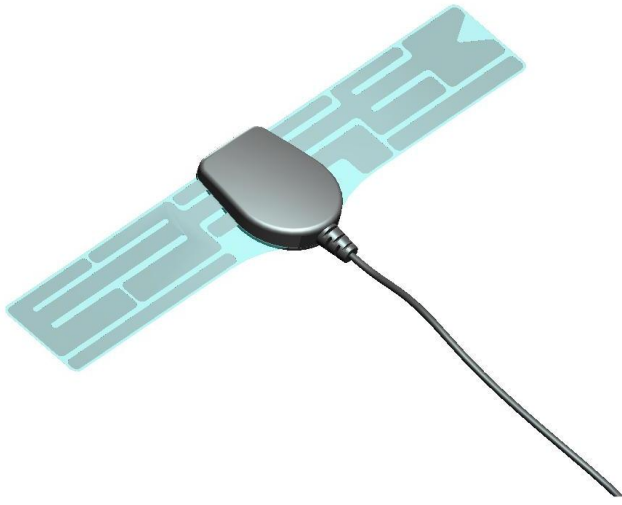


## GSM / CDMA Communication System Antenna



### Model No.

AB0821F-71A01SM

### Application

- Remote Control System
- Wireless Audio / Video System
- GSM / CDMA / 3G Mobile Phone System

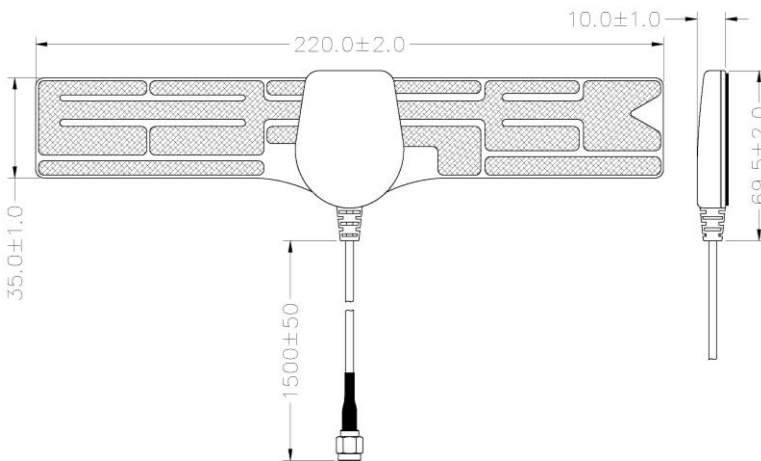
### Features

- RoHS Compliant
- Low V.S.W.R. / Low Loss Design / High Gain
- High Efficiency and Sensitivity
- Low Loss RF Coaxial Connector Cable Feed
- Matching Free Design

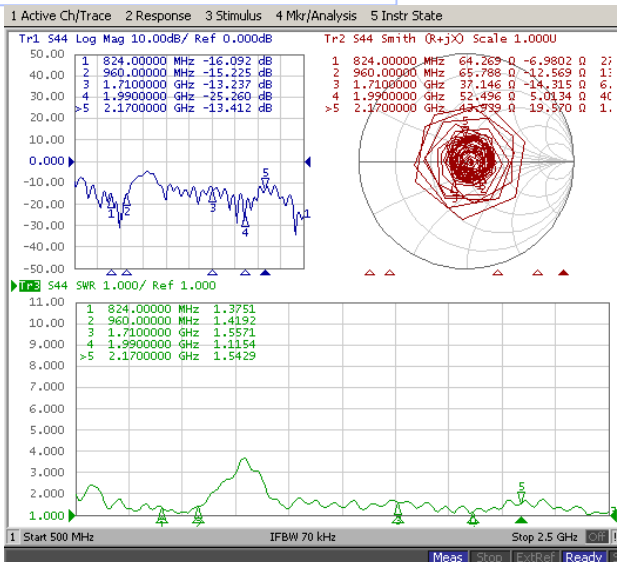
### Specification

- Freq. : 824-960 & 1710-2170 MHz
- S.W.R. :  $\leq 2.0$
- Gain : 3.0 dBi ( \* Typical \* )
- Radiation Pattern : Omni-Directional
- Connector : SMA / MCX / MMCX

### Dimension



### S.W.R. Test Data



### Radiation Pattern

