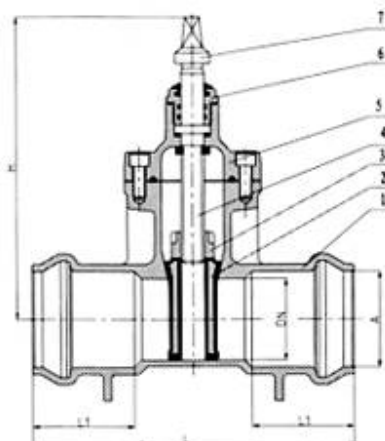


Resilient Seated Gate Valves NRS Socket Ends



DESCRIPTION

- 1.Design confirms to: DIN3352, BS5163, SABS664/665
- 2.Face to Face:EN 558, SABS 664
- 3.Socket ends: Fitted with NBR/EPDM rubber seal to suit PVC-pipes
- 4.Normal pressure: 1.0MPa, 1.6MPa, 2.5MPa
- 5.Test & Inspection: DIN 3230, BS 6755
- 6.Suitable medium: water and neutral liquid
- 7.Working temperature: NBR≤80°C, EPDM≤120°C
- 8.Operator: handwheel, nut, extension stem, gear operator

MATERIAL LIST

No.	PART	MATERIAL
1	BODY	GGG40/GGG50
2	WEDGE	GGG40/GGG50/NBR/EPDM
3	STEM NUT	BRASS/BRONZE/59-1/CZ132/5-5-5
4	STEM	2Cr13/420/304
5	BONNET	GGG40/GGG50
6	GLAND	BRASS 59-1
7	HANDWHEEL	GGG40/GGG50

DIMENSIONS(mm)

DN	H	L	L1	A
50	295	335	88	66
65	299	335	93	79
80	330	335	93	93
100	375	355	110	113
125	456	375	117	127
125	456	375	117	143
150	545	405	135	163
200	570	450	155	203
200	570	450	155	228
250	640	450	155	253
300	790	500	174	318