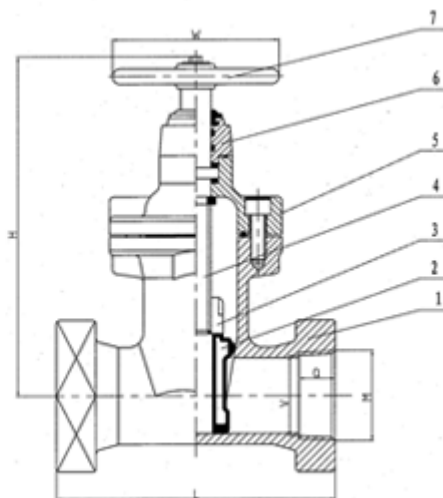


AWWA Resilient Seated Gate Valves NRS Thread Ends 200/250PSI



DESCRIPTION

- 1.Design confirms to: AWWA C509/C515
- 2.Threaded ends confirms to: ASME B1.20.1
- 3.Test & Inspection: AWWA C509/C515
- 4.Suitable medium: water and neutral liquid
- 5.Working temperature: NBR≤80℃, EPDM≤120℃
- 6.Operator: handwheel, nut, extension stem, gear operator

MATERIAL LIST		
No.	PART	MATERIAL
1	BODY	DI ASTM A536
2	WEDGE	DI A536/NBR/EPDM
3	STEM NUT	BRONZE C83600
4	STEM	420/304
5	BONNET	DI ASTM A536
6	GLAND	DI A536/BRASS
7	HANDWHEEL	DI ASTM A536

DIMENSIONS(mm)					
DN	L	M	H	Q	W
2"	178	60.3	262	20	180
2.5"	190	73	272	20	180
3"	203	88.9	298	25.5	200
4"	229	114.3	350	27.8	250
6"	267	163.8	470	27.8	250