

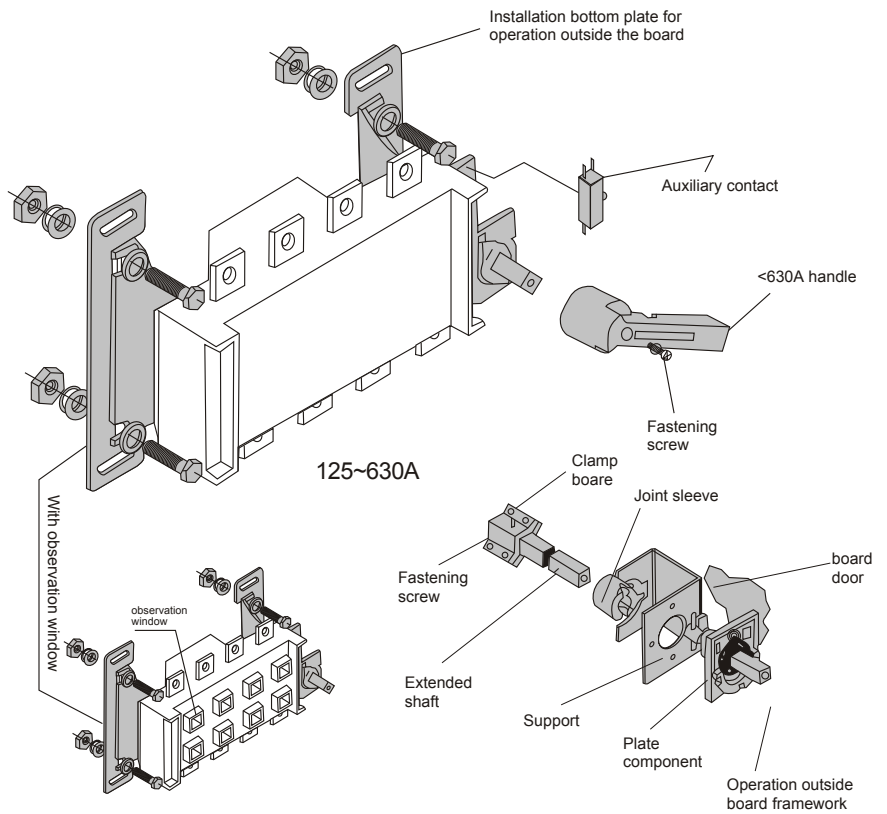
# YGLC/CK-125~4000A

Series Side Operation Load-isolation Switch

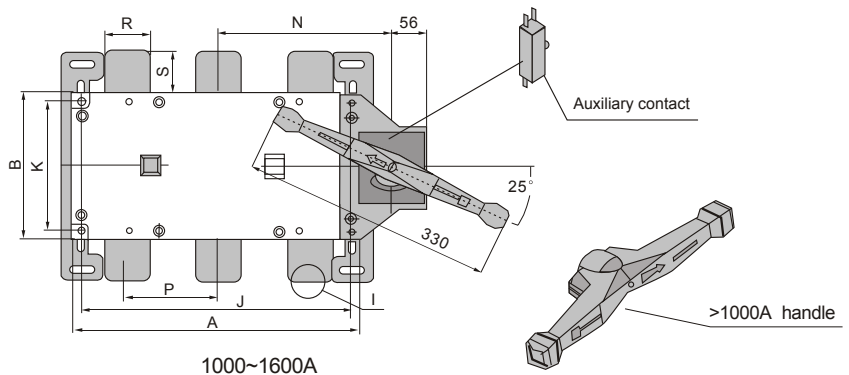


## General

- YGLC/CK-125~4000A. The load isolation switch is suitable for the on and off of circuit or electric insulation. The products have three pole, four pole, and (three poles+on and off neural pole).
- Products with observation windows can be provided according to the demand to observe directly the on and off state of contact.
- Direct operation: handle is installed on the right side of switch.
- Operation outside the board: handle is installed outside the door of distributing board.
- Two set of auxiliary contact can be assembled according to the demand.
- Extended shaft is used for the operation outside the board.
- Mechanical property and electric property correspond to the mechanical property and electric property of YGLC/CK-125~3150A.

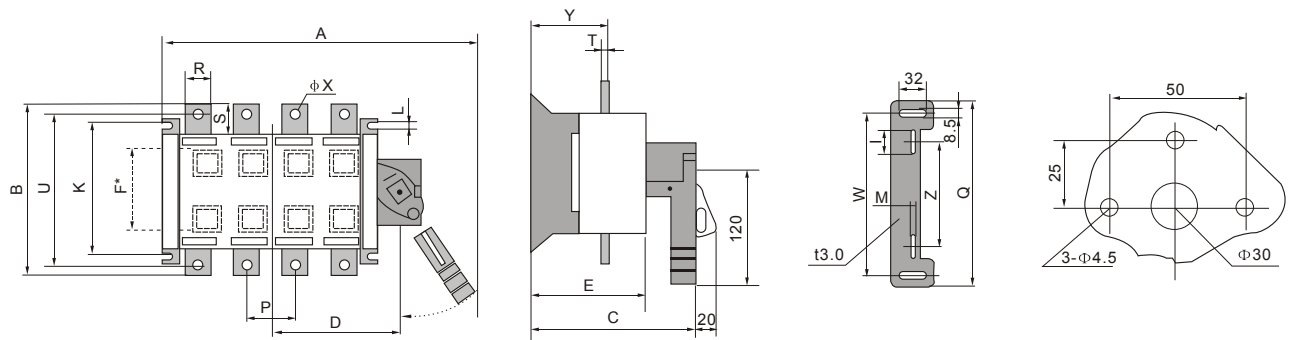


YGLCCK With observation window



1000~1600A

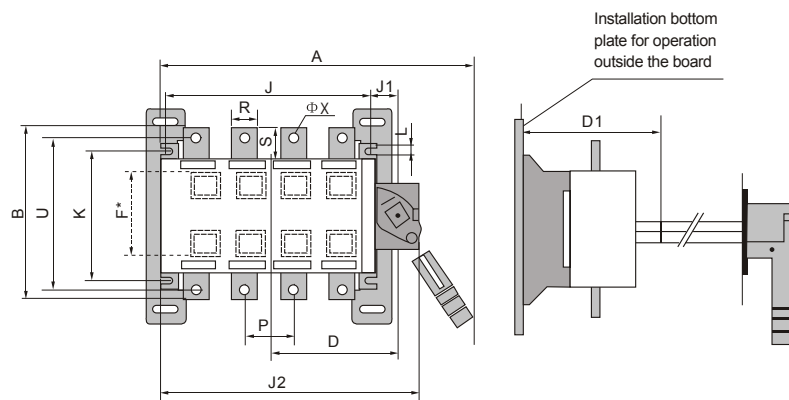
## YGLC/CK-125~630A Outline and installation dimensions



CZGLC/CK-125~630A Direct operation

Installation bottom plate  
for operation outside the  
board

Installation size of handle  
seat outside board



YGLC/CK-125~630A/JK Operation outside board

Specification	Dimension of Bottom Board				
	I	M	Z	W	Q
YGLC/CK-125A	55	6.5	110	216	244
YGLC/CK-160A	55	6.5	110	216	244
YGLC/CK-200A	55	6.5	110	216	244
YGLC/CK-250A	55	6.5	110	216	244
YGLC/CK-315A	60	8.5	170	280	311
YGLC/CK-400A	60	8.5	170	280	311
YGLC/CK-500A	60	8.5	170	280	311
YGLC/CK-630A	60	8.5	170	280	311

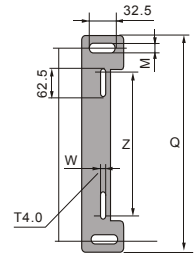
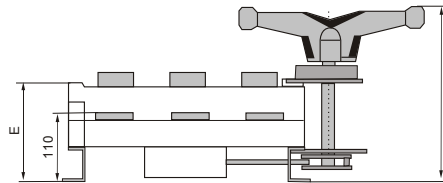
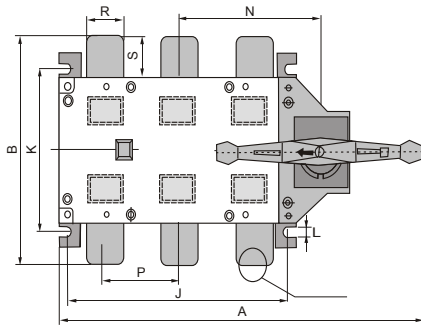
Specification	External Dimension and Installation Dimension																		
	A	B	C	D	D1	E	J	J1	J2	K	P	R	S	T	U	ϕX	Y	L	F
YGLC/CK-125A/3	266	135	148	89	125	89	120	30	195	95	36	20	25	3	115	10	55	7	49
YGLC/CK-125A/4	296	135	148	104	125	89	150	30	225	95	36	20	25	3	115	10	55	7	49
YGLC/CK-160A/3	266	135	148	89	125	89	120	30	195	95	36	20	25	3	115	10	55	7	49
YGLC/CK-160A/4	296	135	148	104	125	89	150	30	225	95	36	20	25	3	115	10	55	7	49
YGLC/CK-200A/3	336	170	167	110	134	100	160	30	235	115	50	25	30	3.5	140	11	65	9	79
YGLC/CK-200A/4	384	170	167	135	134	100	210	30	285	115	50	25	30	3.5	140	11	65	9	79
YGLC/CK-250A/3	336	170	167	110	134	100	160	30	235	115	50	25	30	3.5	140	11	65	9	79
YGLC/CK-250A/4	384	170	167	135	134	100	210	30	285	115	50	25	30	3.5	140	11	65	9	79
YGLC/CK-315A/3	425	240	210	150	163	129	210	44.5	298	180	65	32	40	5	206	11	85	10	94
YGLC/CK-315A/4	480	240	210	180	163	129	270	44.5	358	180	65	32	40	5	206	11	85	10	94
YGLC/CK-400A/3	425	240	210	150	163	129	210	44.5	298	180	65	32	40	5	206	11	85	10	94
YGLC/CK-400A/4	480	240	210	180	163	129	270	44.5	358	180	65	32	40	5	206	11	85	10	94
YGLC/CK-500A/3	425	260	210	150	163	129	210	44.5	298	180	65	40	50	6	220	12.5	85	10	94
YGLC/CK-500A/4	480	260	210	180	163	129	270	44.5	358	180	65	40	50	6	220	12.5	85	10	94
YGLC/CK-630A/3	425	260	210	150	163	129	210	44.5	298	180	65	40	50	6	220	12.5	85	10	94
YGLC/CK-630A/4	480	260	210	180	163	129	270	44.5	358	180	65	40	50	6	220	12.5	85	10	94

# CZGLC/CK-125~4000A

Series Side Operation Load-isolation Switch

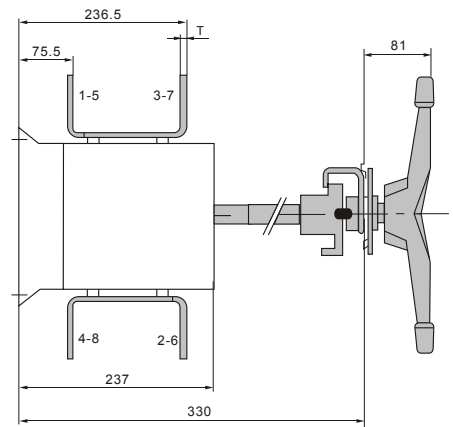
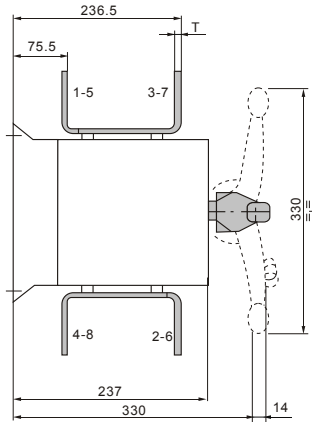
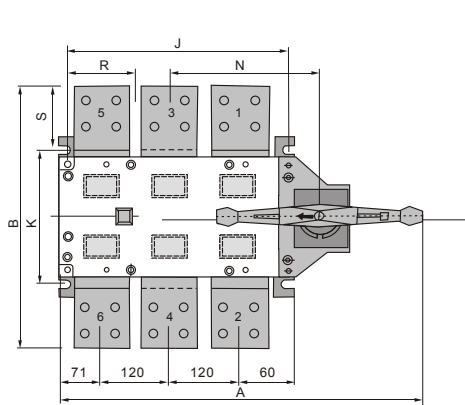


## YGLC/CK-1000~4000A Outline and installation dimensions

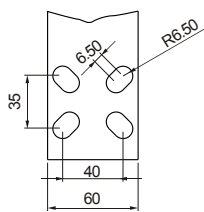


YGLC/CK-1000~1600A/3

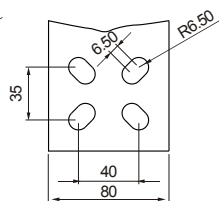
Installation bottom plate for operation outside the board



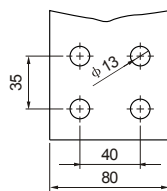
YGLC/CK-2000~2500A/3



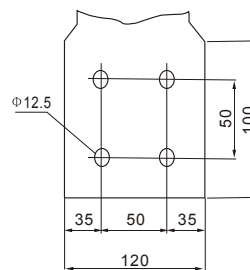
800~1000A



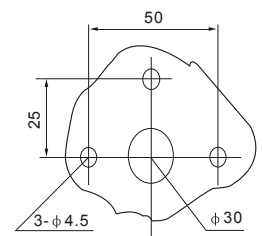
1250~2500A



3150A~4000A

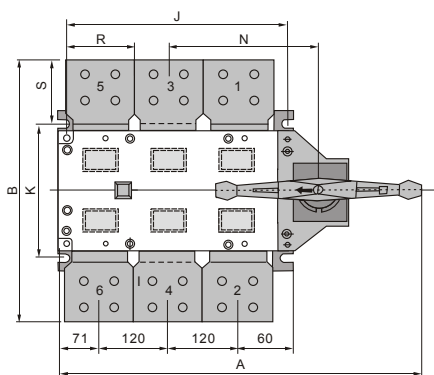


3150~4000A

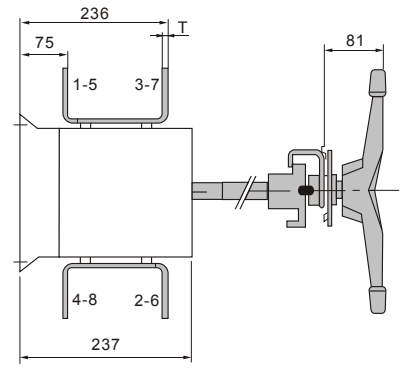
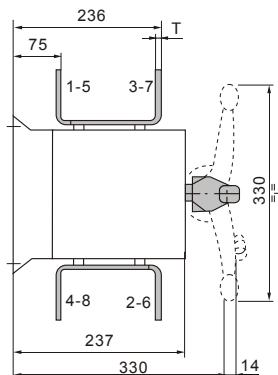


Installation size of handle seat outside board

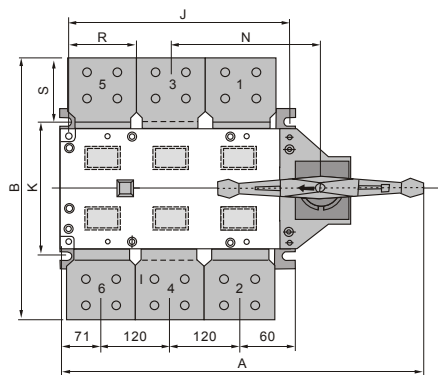
## YGLC/CK-1000~4000A Outline and installation dimensions



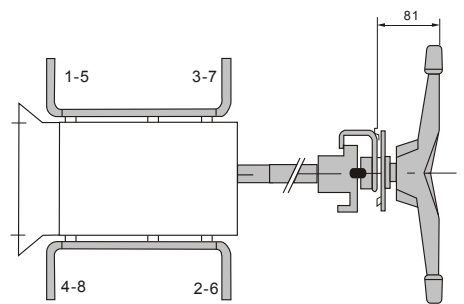
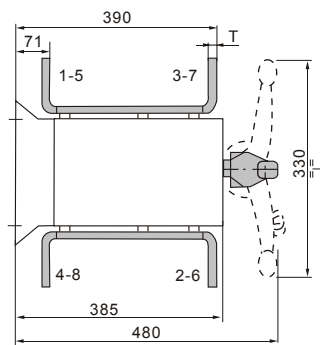
Direct operation on front face YGLC/CK-3150



Operation outside YGLC/CK-3150A



Direct operation on front face YGLC/CK-4000



Operation outside YGLC/CK-4000A

Specification	External Dimension and Installation Dimension															
	A	B	C	E	L	J	K	M	N	P	Q	R	S	T	W	Z
YGLC/CK-1000A/3	583	356	242	150	11	352	220	8.5	232	120	311	60	55	8	280	224
YGLC/CK-1000A/4	698	356	242	150	11	467	220	8.5	286	120	311	60	55	8	280	224
YGLC/CK-1250A/3	583	356	242	150	11	352	220	8.5	232	120	311	80	68	8	280	224
YGLC/CK-1250A/4	698	356	242	150	11	467	220	8.5	286	120	311	80	68	8	280	224
YGLC/CK-1600A/3	583	356	242	150	11	352	220	8.5	232	120	311	80	68	10	280	244
YGLC/CK-1600A/4	698	356	242	150	11	467	220	8.5	286	120	311	80	68	10	280	224
YGLC/CK-2000A/3	583	440	330	237	11	352	220	8.5	232	120	311	80	119	10	280	224
YGLC/CK-2000A/4	698	440	330	237	11	467	220	8.5	286	120	311	80	119	10	280	224
YGLC/CK-2500A/3	583	450	330	237	11	352	220	8.5	232	120	311	80	119	15	280	224
YGLC/CK-2500A/4	698	450	330	237	11	467	220	8.5	286	120	311	80	119	15	280	224
YGLC/CK-3150A/3	583	460	330	237	11	352	220	8.5	232	120	311	80	145	20	280	244
YGLC/CK-3150A/4	698	460	330	237	11	467	220	8.5	286	120	311	80	145	20	280	224
YGLC/CK-4000A/3	583	500	480	385	11	352	220	8.5	232	120	311	120	150	15	280	224
YGLC/CK-4000A/4	698	500	480	385	11	467	220	8.5	286	120	311	120	150	15	280	224