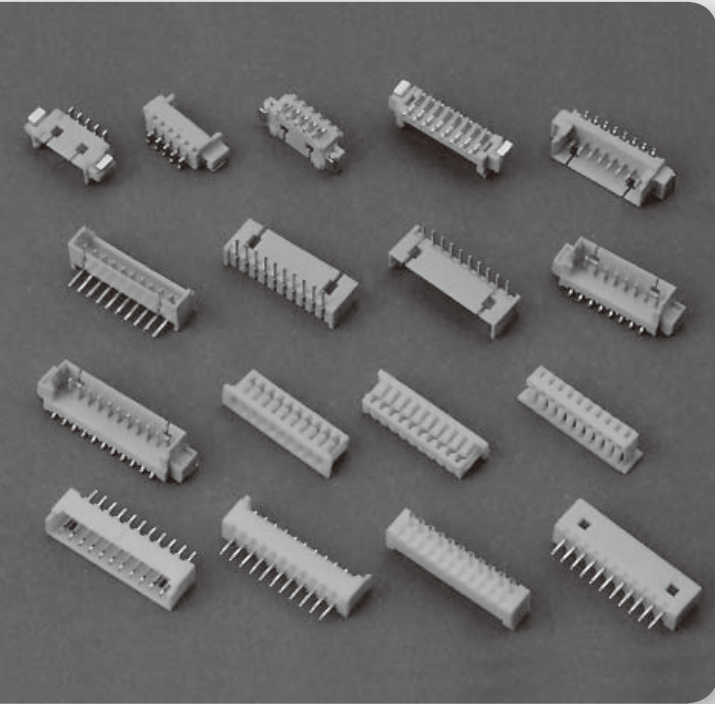


1.25mm (.049") Crimp Style Connectors



Specifications

- Voltage Rating : 125V AC/DC
- Current Rating : 1A AC/DC
- Withstanding Voltage : 250V AC/minute
- Insulation Resistance : 100MΩ min.
- Temperature Range : -40°C to + 85°C
- Contact Resistance : 20mΩ max.

Features:

■ HOUSING

Part No. : JS-1145(Plug Housing)

JS-1146(Receptacle Housing)

Poles : 2 - 15

Material : PBT UL94V-0 (for JS-1145)

Nylon 66 UL94V-0 (for JS-1146)

Q,ty : 1,000 pcs/Bag

■ WAFER

Part No. : JS-1147,JS-1147A (DIP Type, Straight)

JS-1147R (DIP Type, Right Angle)

JS-1147V (SMT Type, Straight)

JS-1147H (SMT Type, Right Angle)

Poles : 2 - 15

Material : Contact : Brass, Tin Plated

Base : Nylon 66 UL94V-0 + Glass Fiber
(for JS-1147)

Nylon PA46 UL94V-0

(for JS-1147A,JS-1147R

JS-1147R,JS-1147V)

Q'ty : 1,000 pcs./PVB Box JS-1147,JS-1147A,JS-1147R

1,500 pcs./Tape & Reel JS-1147H

1,000 pcs./Tape & Reel JS-1147V

■ TERMINAL

Part No. : JS-1145-TP(Male Terminal)

JS-1146-T(Female Terminal)

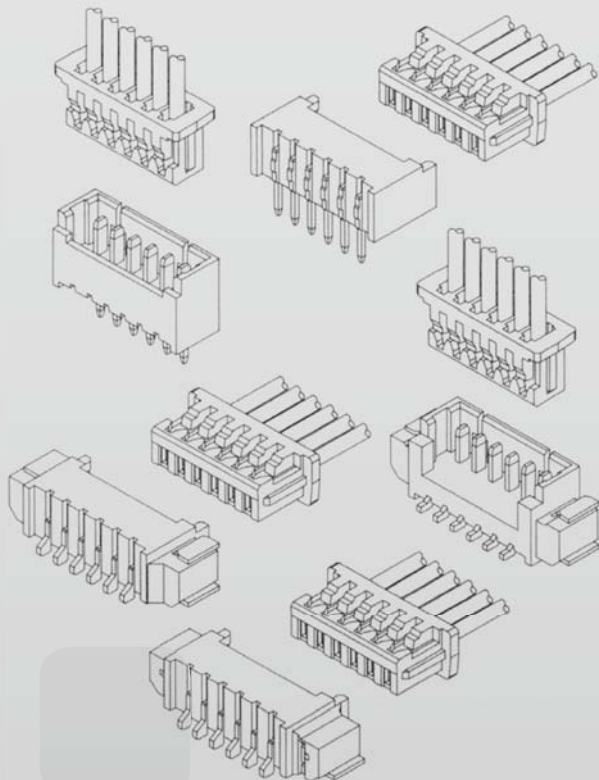
Applicable Wires : AWG# 28-32

Material : Phos. Bronze

Finish : Tin Plated

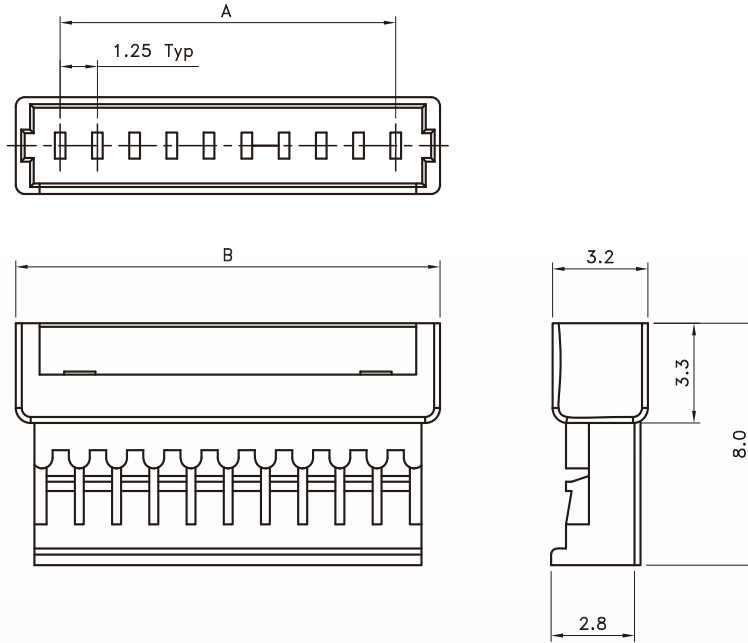
Thickness : 0.15mm

Q'ty : 15,000 pcs/Reel



1.25mm (.049") Crimp Style Connectors

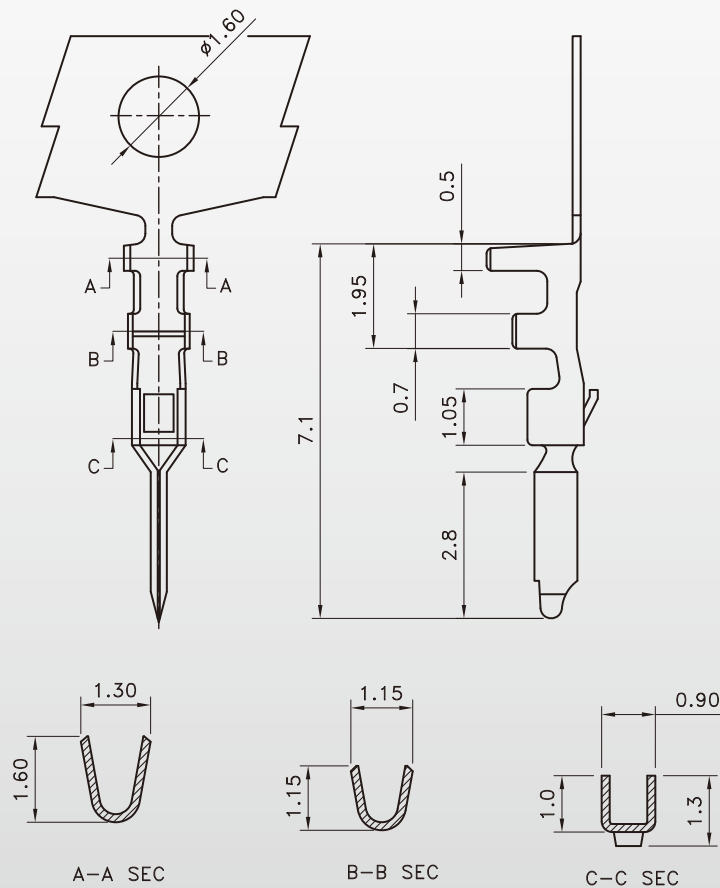
Housing JS-1145



Poles	Part No.	Dimensions (mm)	
		A	B
2	JS-1145-02	1.25	4.25
3	JS-1145-03	2.50	5.50
4	JS-1145-04	3.75	6.75
5	JS-1145-05	5.00	8.00
6	JS-1145-06	6.25	9.25
7	JS-1145-07	7.50	10.50
8	JS-1145-08	8.75	11.75

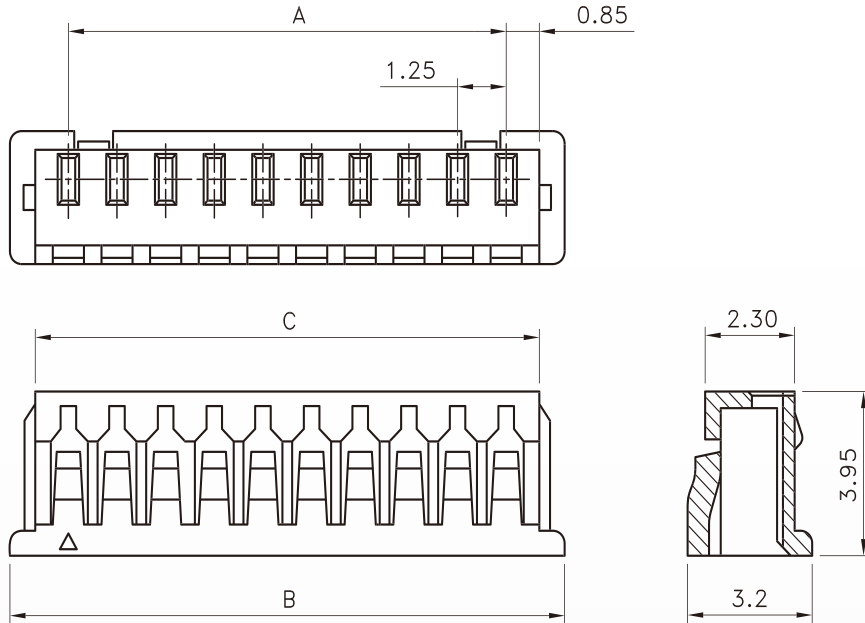
Poles	Part No.	Dimensions (mm)	
		A	B
9	JS-1145-09	10.00	13.00
10	JS-1145-10	11.25	14.25
11	JS-1145-11	12.50	15.50
12	JS-1145-12	13.75	16.75
13	JS-1145-13	15.00	18.00
14	JS-1145-14	16.25	19.25
15	JS-1145-15	17.50	20.50

Terminal JS-1145-T



1.25mm (.049") Crimp Style Connectors

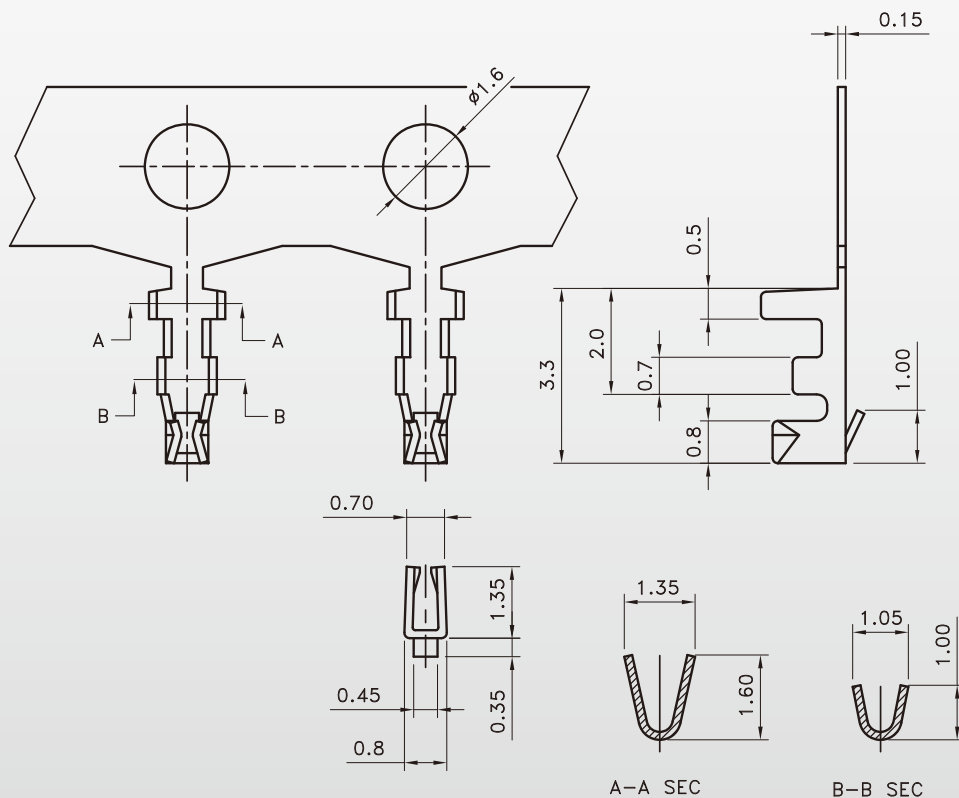
Housing JS-1146



Poles	Part No.	Dimensions (mm)		
		A	B	C
2	JS-1146-02	1.25	4.75	2.95
3	JS-1146-03	2.50	5.50	4.20
4	JS-1146-04	3.75	6.75	5.45
5	JS-1146-05	5.00	8.00	6.70
6	JS-1146-06	6.25	9.25	7.95
7	JS-1146-07	7.50	10.50	9.20
8	JS-1146-08	8.75	11.75	10.45

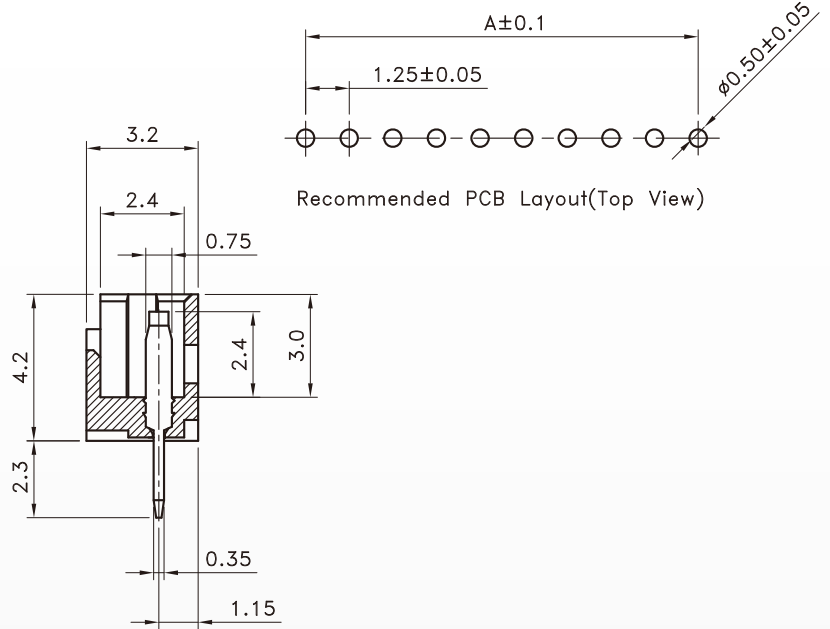
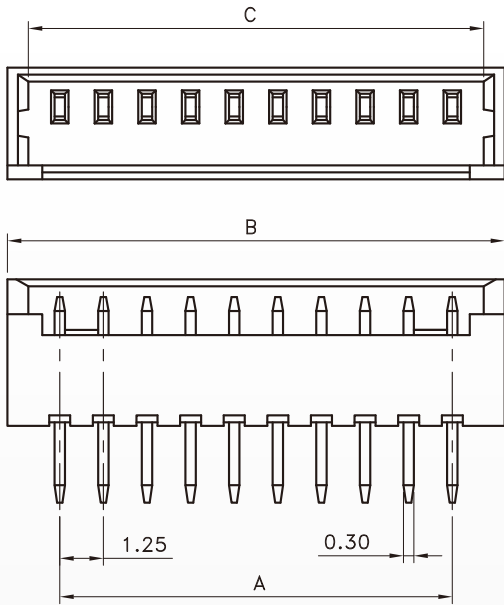
Poles	Part No.	Dimensions (mm)		
		A	B	C
9	JS-1146-09	10.00	13.00	11.70
10	JS-1146-10	11.25	14.25	12.95
11	JS-1146-11	12.50	15.50	14.20
12	JS-1146-12	13.75	16.75	15.45
13	JS-1146-13	15.00	18.00	16.70
14	JS-1146-14	16.25	19.25	17.95
15	JS-1146-15	17.50	20.50	19.20

Terminal JS-1146-T

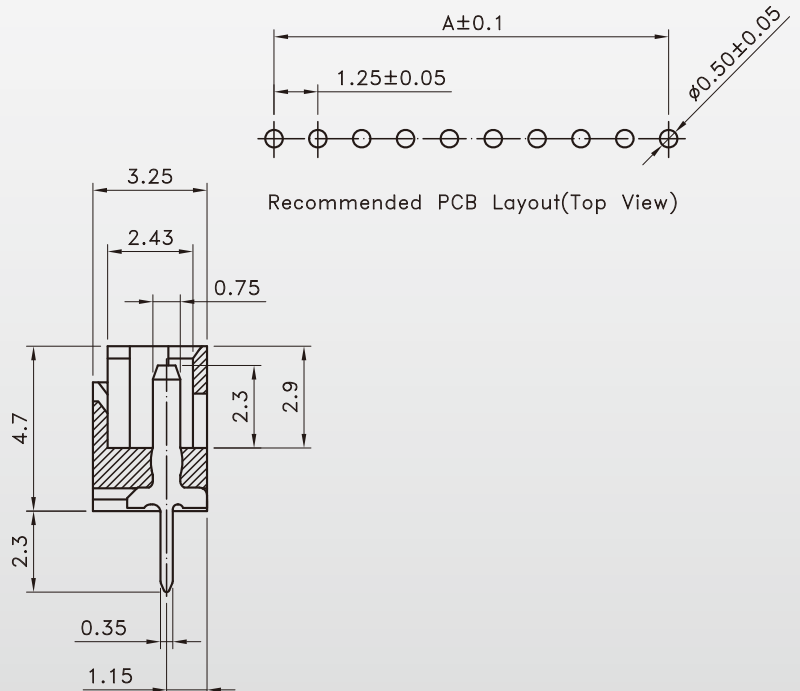
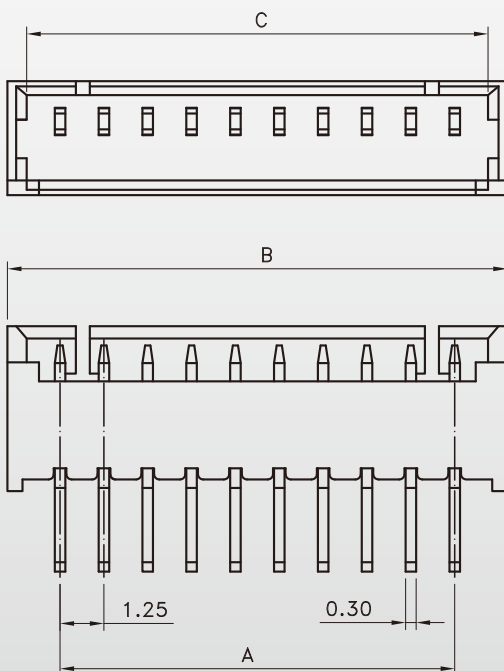


1.25mm (.049") Crimp Style Connectors

Wafer - Straight <DIP Type> JS-1147

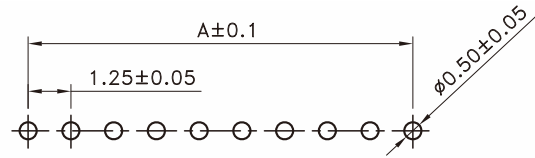
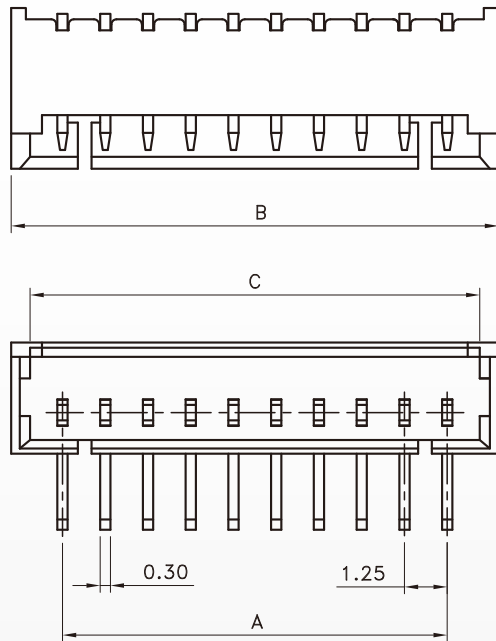


Wafer - Straight <DIP Type> JS-1147A

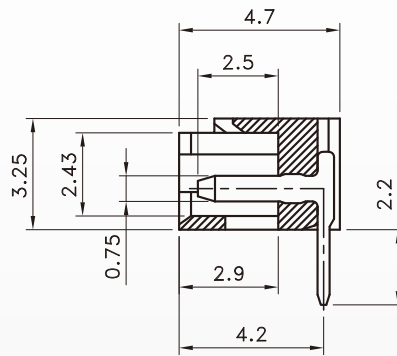


1.25mm (.049") Crimp Style Connectors

Wafer - <Right Angle><DIP Type> JS-1147R



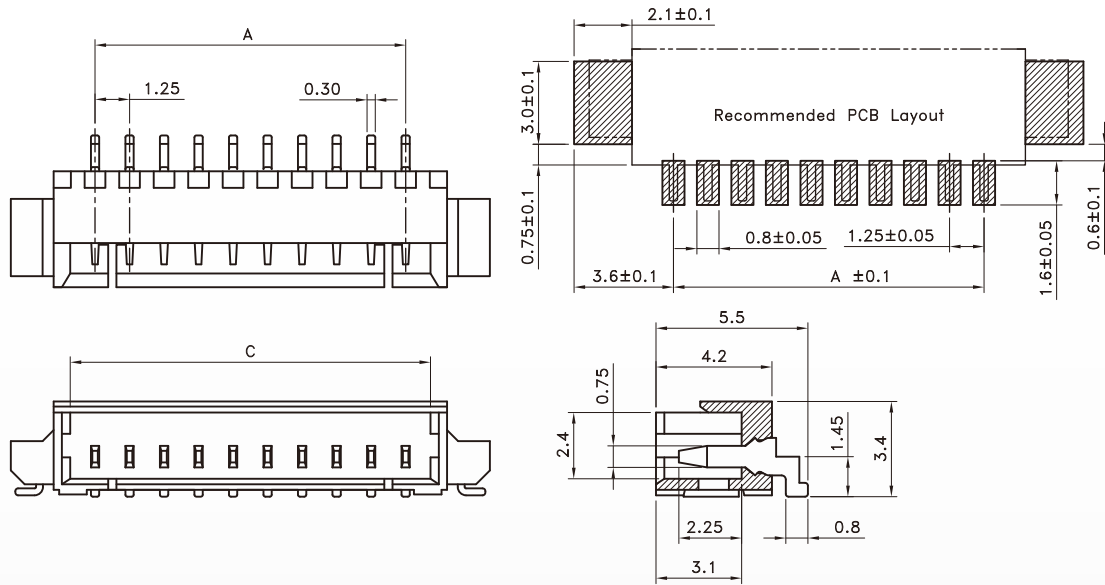
Recommended PCB Layout(Top View)



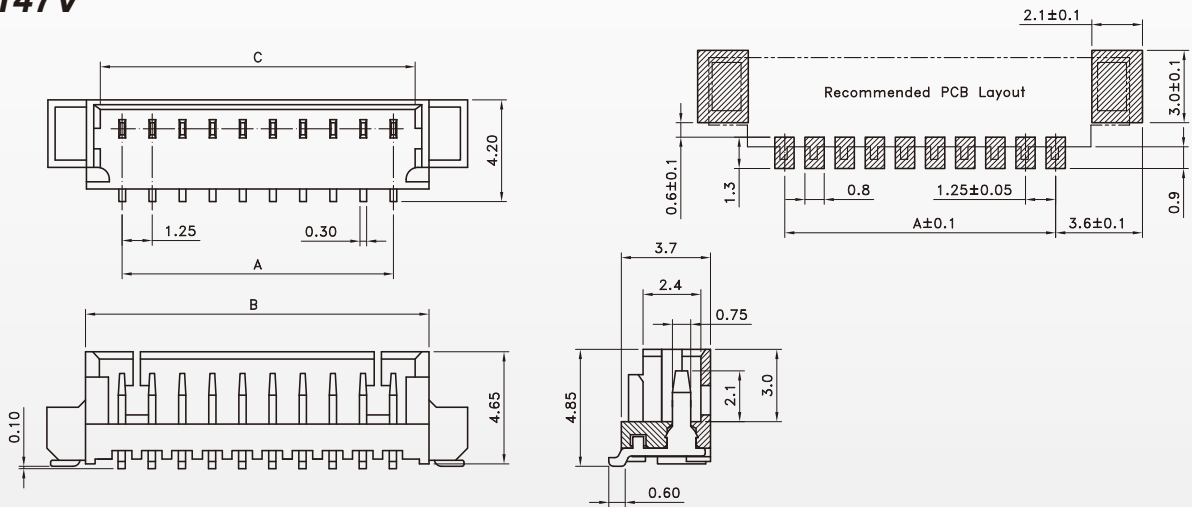
Poles	Part No.			Dimensions (mm)		
	JS-1147	JS-1147A	JS-1147R	A	B	C
2	JS-1147-02	JS-1147A-02	JS-1147R-02	1.25	4.25	3.05
3	JS-1147-03	JS-1147A-03	JS-1147R-03	2.50	5.50	4.30
4	JS-1147-04	JS-1147A-04	JS-1147R-04	3.75	6.75	5.55
5	JS-1147-05	JS-1147A-05	JS-1147R-05	5.00	8.00	6.80
6	JS-1147-06	JS-1147A-06	JS-1147R-06	6.25	9.25	8.05
7	JS-1147-07	JS-1147A-07	JS-1147R-07	7.50	10.50	9.30
8	JS-1147-08	JS-1147A-08	JS-1147R-08	8.75	11.75	10.55
9	JS-1147-09	JS-1147A-09	JS-1147R-09	10.00	13.00	11.80
10	JS-1147-10	JS-1147A-10	JS-1147R-10	11.25	14.25	13.05
11	JS-1147-11	JS-1147A-11	JS-1147R-11	12.50	15.50	14.30
12	JS-1147-12	JS-1147A-12	JS-1147R-12	13.75	16.75	15.55
13	JS-1147-13	JS-1147A-13	JS-1147R-13	15.00	18.00	16.80
14	JS-1147-14	JS-1147A-14	JS-1147R-14	16.25	19.25	18.05
15	JS-1147-15	JS-1147A-15	JS-1147R-15	17.50	20.50	19.30

1.25mm (.049") Crimp Style Connectors

Wafer - Right Angle <SMT Type> JS-1147H



Wafer - Straight <SMT Type> JS-1147V



Poles	Part No.		Dimensions (mm)			
	JS-1147H	JS-1147V	A	B	C	D
2	JS-1147H-02	JS-1147V-02	1.25	4.25	3.05	7.65
3	JS-1147H-03	JS-1147V-03	2.50	5.50	4.30	8.90
4	JS-1147H-04	JS-1147V-04	3.75	6.75	5.55	10.15
5	JS-1147H-05	JS-1147V-05	5.00	8.00	6.80	11.40
6	JS-1147H-06	JS-1147V-06	6.25	9.25	8.05	12.65
7	JS-1147H-07	JS-1147V-07	7.50	10.50	9.30	13.90
8	JS-1147H-08	JS-1147V-08	8.75	11.75	10.55	15.15
9	JS-1147H-09	JS-1147V-09	10.00	13.00	11.80	16.40
10	JS-1147H-10	JS-1147V-10	11.25	14.25	13.05	17.65
11	JS-1147H-11	JS-1147V-11	12.50	15.50	14.30	18.90
12	JS-1147H-12	JS-1147V-12	13.75	16.75	15.55	20.15
13	JS-1147H-13	JS-1147V-13	15.00	18.00	16.80	21.40
14	JS-1147H-14	JS-1147V-14	16.25	19.25	18.05	22.65
15	JS-1147H-15	JS-1147V-15	17.50	20.50	19.30	23.90