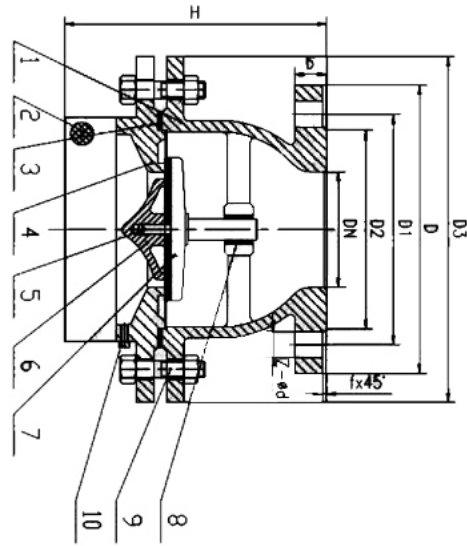


DIN CAST IRON FOOT VALVE PN16



DESCRIPTION:

Available Medium: Water

Working Temperature: $\leq 150^{\circ}\text{C}$

Flange Dimensions: DIN2532/2533

MATERIAL		
ITEM	PARTS NAME	MATERIAL
1	BODY	CAST IRON
2	SCREEN	STAINLESS STEEL
3	GASKET	GRAPHITE
4	FLANGE PLATE	CAST IRON
5	STUD BOLT	CARBON STEEL
6	LOCK BLOCK	CAST IRON
7	DISC	CAST IRON+RUBBER
8	VALVE GUIDE	BRASS
9	BOLT NUT	CARBON
10	SCREW	CARBON

DIMENSIONS (MM)									
DN	D	D1	D2	D3	b	Z- ϕ d	f	H	KG
40	150	110	88	170	18	4-18	3	137	
50	165	125	102	180	20	4-18	3	157	9.6
65	185	145	122	200	20	4-18	3	172	11.9
80	200	160	138	240	22	8-18	3	186	15.6
100	220	180	158	270	22	8-18	3	245	21.6
125	250	210	188	310	24	8-18	3	263	28.5
150	285	240	212	360	24	8-23	3	343	42.8
200	340	295	268	440	26	12-23	3	421	65.3
250	405	355	320	520	28	12-27	3	469	83.3
300	460	410	378	590	28	12-27	4	609	129.2
350	520	470	438	620	30	16-27	4	785	148.2