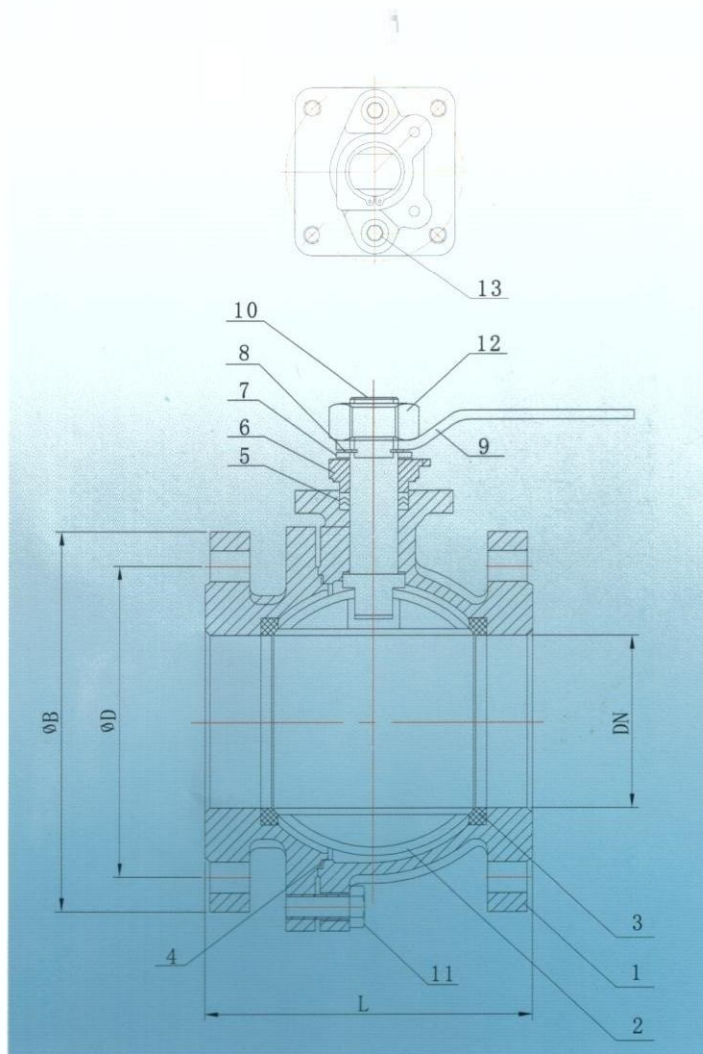


## Ball Valve



### Description:

1. Working pressure: 1.0/1.6Mpa
2. Working temperature:  $-20^{\circ}\text{C} \sim +120^{\circ}\text{C}$
3. Face to face:  
DN50-DN100: DIN3202 F4,  
DN125-DN200: DIN3202 F5
4. Flange according: EN1092-2 etc.
5. Testing: DIN3230, API598
6. Medium: Water, oil, gases etc.

### Material List:

NO.	Part	Material
1	Body	GG25/GGG40
2	Ball	SS304/SS316
3	Seat	PTFE
4	Washer	PTFE
5	Packing seal	PTFE
6	Packing gland	GGG40
7	Locating plate	Steel
8	Clamp ring	65Mn
9	Handle	Steel
10	Shaft	Stainless steel
11	Bolt	Steel
12	Nut	Steel
13	Bolt	Steel

### Dimension:

DN(mm)	50	65	80	100	125	150	200
L (mm)	150	170	180	190	325	350	400
$\Phi B$ (mm)	165	185	200	220	250	285	340
$\Phi D$ (mm)	$\Phi 125$	$\Phi 145$	$\Phi 160$	$\Phi 180$	$\Phi 210$	$\Phi 240$	$\Phi 295$