



# Fx-IT06WS ADSL POTS Splitter For CPE Side

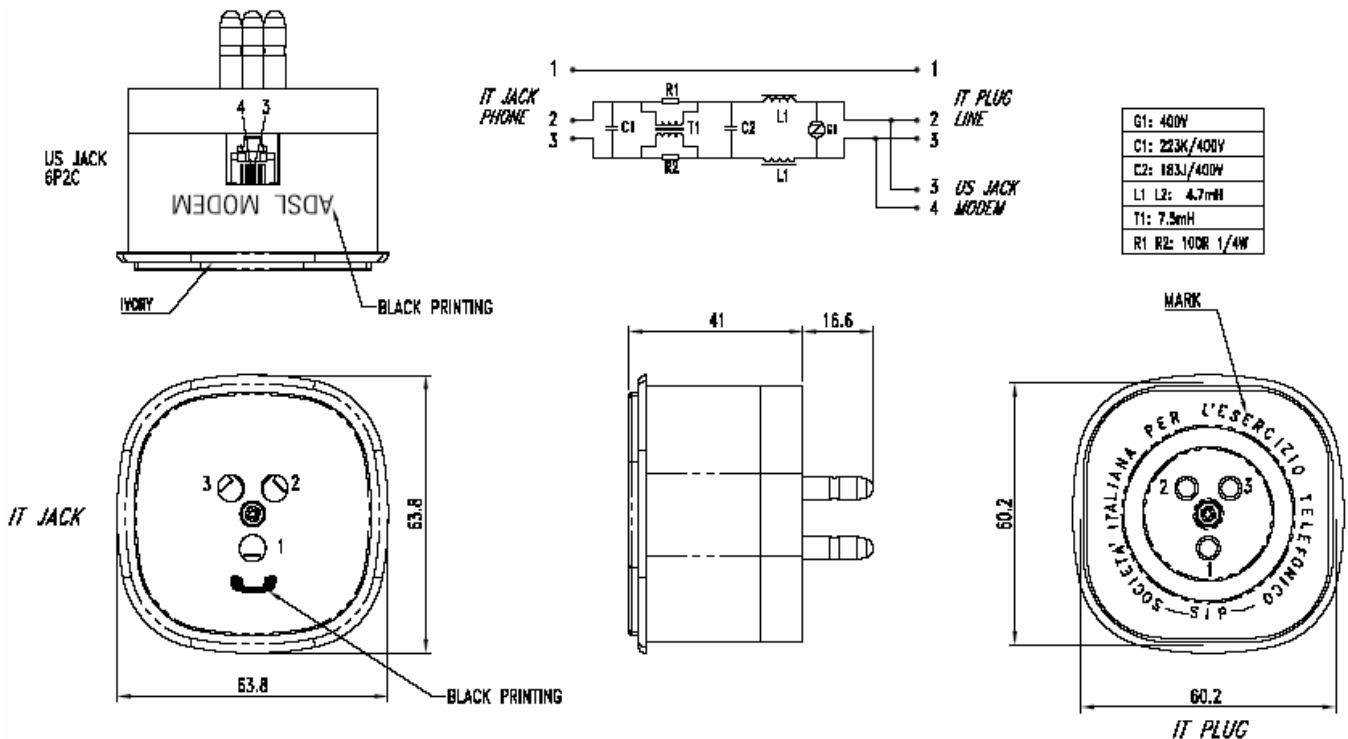


- ★ Compact package, includes connectors for ease of installation
- ★ Design for Glite Application
- ★ 100 mA DCI Loop Current Capacity

## Specifications

POTS Port Impedance	270 Ω +150nF//750 Ω	POTS Tip and Ring DC Voltage	0~105V
Insertion Loss @1KHz	1dB Max	DC Resistance each Line	12.5 Ω Max
Insertion distortion @200~4 KHz	±1dB Max	Return Loss @300Hz~500Hz	14 dB Min
Attenuation @30~450KHz	25dB Min	@500Hz~2KHz	18 dB Min
@450KHz~1.104MHz	50dB Min	@2KHz~3.4KHz	12 dB Min
Longitudinal Balance @200Hz~3K	50dB Min	Isolation resistance tip/ring	10M Ω Min

### Wiring & Dimension Schematic



### Head Office & Factory

SHAN-SIA DEVELOPMENT INDUSTRY AREA, HENG-LI TOWN, DONGGUAN CITY, GUANGDONG PROVINCE, CHINA

Tel: +86-769-3791376/7/8/9

Http: [www.dgfuxin.com](http://www.dgfuxin.com)

Postal: 523467

Fax: +86-769-3713728