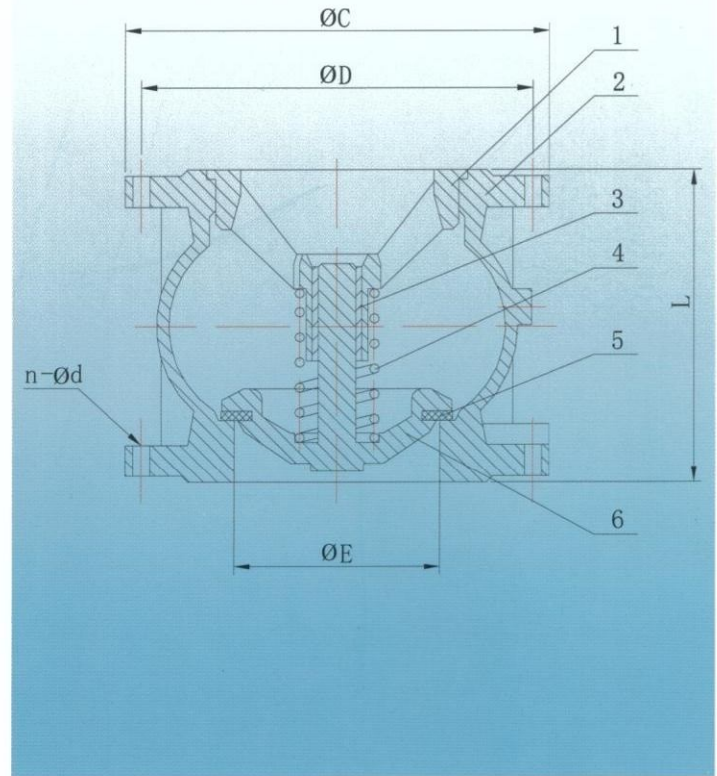


Flanged Silent Check Valve



Description:

1. Working pressure: 1.0/1.6Mpa
2. Working temperature:
NBR: 0°C ~ +80°C
EPDM: -10°C ~ +120°C
3. Flange according to EN1092-2 PN10/16
4. Testing: DIN3230, API598
5. Medium: Fresh Water, Sea water, all kinds of oil etc.

Material List:

NO.	Part	Material
1	Guide	GGG40
2	Body	GG25/GGG40
3	Sleeve	PTFE
4	Spring	Stainless steel
5	Seat ring	NBR/EPDM
6	Disc	GGG40/Brass

Dimension:

DN(mm)	50	65	80	100	125	150	200	250	300	
L (mm)	100	120	140	170	200	230	301	370	410	
ΦE(mm)	50	65	80	101	127	145	194	245	300	
ΦC (mm)	165	185	200	220	250	285	340	405	460	
ΦD (mm)	PN10	Φ125	Φ145	Φ160	Φ180	Φ210	Φ240	Φ295	Φ350	Φ400
	PN16								Φ355	Φ410