

YGL-63~3150A

Series Load-isolation Switch



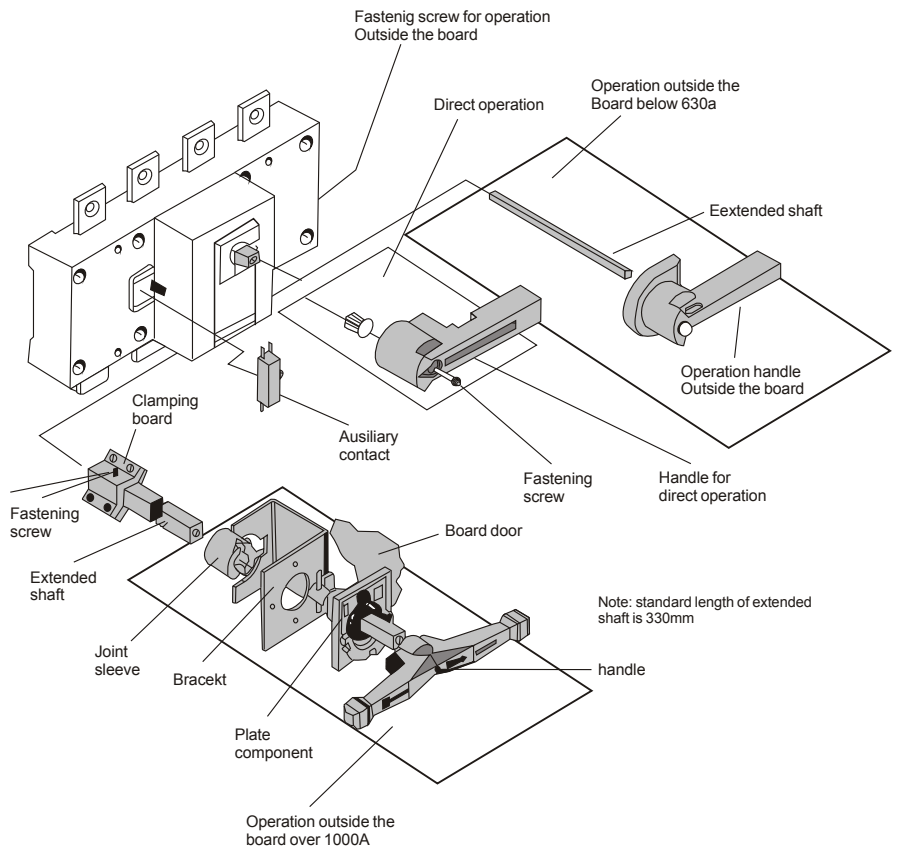
General

YGL series Load isolation switch can be divided into 18 specs from 125A to 4000A, it is the basic type of module design, it has three poles and four poles (three poles + switch neutral pole), applied to make and break circuit or electric isolate, over 1000A is only for electric isolation.

Symbol window on front face indicates the contact on-off state.

Operation mode

- Direct operation: The handle is installed in the middle of switch directly.
- Operate outside of cabinet: The handle is installed outside of distribution cabinet.
- It can be assembled two groups auxiliary contacts.



YGL-63~3150A

Series Load-isolation Switch

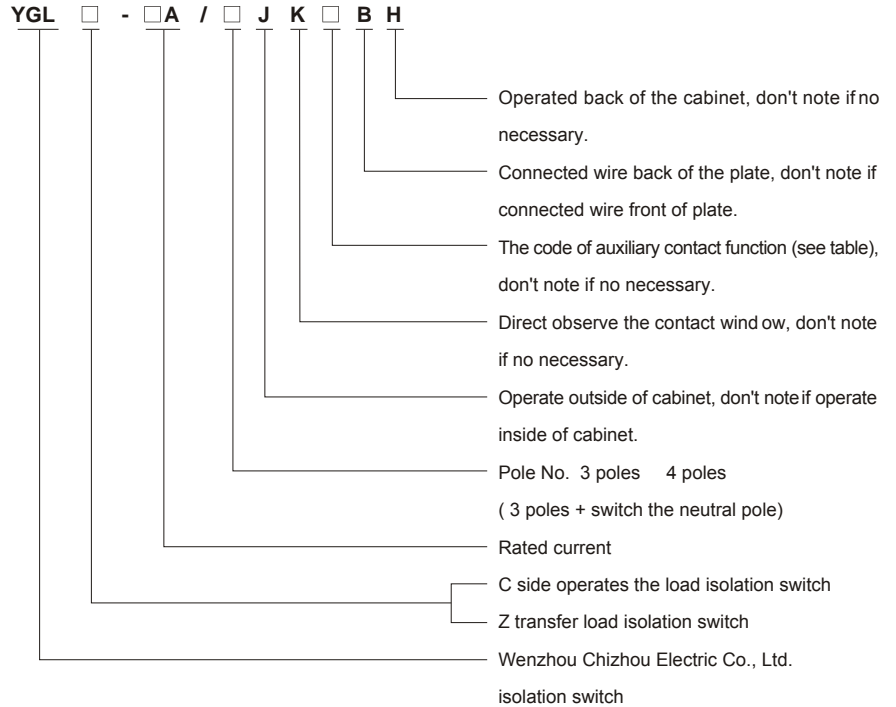


Application

AC 50Hz, rated voltage 660V, DC rated voltage 440V, rated current 1600A. It is used for making and breaking circuit infrequently.



Model and meaning



One NO and one NC	11	NO+NC
Two NO and Two NC	22	2NO+2NC

Example for lecto type: Rated current 630A, include neutral pole transferring load isolation switch, CZGLZ-630A/4J for operating outside of cabinet



Service environment

- YGL load-isolation switch can operate under the following conditions
- Altitude not more than 2000m;
- The range of ambient temperature is from 5°C to 40°C;
- Relative humidity not more than 95%;
- The environment without any explosive medium.
- The environment without any rain or snow attacking.

Note: If the product is expected to be used in the environment where temperature is over +40°C or below -5°C~-45°C, user's shall tell it to the manufacturer.

YGL-63~3150A

Series Load-isolation Switch



YGL-63~3150A Electrical Properties and Mechanical Properties

Conventional heating current (Ith A)		40A	63A	80A	100A	125A	160A	200A	250A	315A	400A	500A	630A	1000A	1250A	1600A	2000A	2500A	3150A		
Rated insulation voltage (Ui V)		40	63	80	100	750	750	750	750	1000	1000	1000	1000	1000	1000	1000	1000	1000	1000	1000	
Dielectric strength (V)		5000	5000	5000	5000	5000	5000	5000	5000	8000	8000	8000	8000	10000	10000	10000	10000	10000	10000	10000	
Rated impaction withstand voltage Uimp KV (Installation sort IV)		6	6	6	6	8	8	8	8	12	12	12	12	12	12	12	12	12	12	12	
Rated working current Ie(A)	400V	AC21B	40	63	80	100	125	160	200	250	315	400	500	630	1000	1250	1600	2000	2500	3150	
		AC22B	40	63	80	100	125	160	200	250	315	400	500	630	1000	1250	1600	2000	2500	2500	
		AC23B	40	63	80	100	125	160	200	250	315	340	425	500	800	1000	1250	1250	1250	1250	
	750V	DC21	40	63	80	100	125	160	160	200	315	400	400	500	1000	1000	1600	2000	2500	3150	
		DC22	40	63	80	100	125	160	160	160	315	315	315	315	800	800	800	2000	2000	2000	
		DC23	20	20	40	50	80	80	100	125	125	125	125	125	400	400	500	1000	1000	1000	
	220V	AC21B	40	63	80	100	125	160	200	250	315	400	500	630							
		AC22B	40	63	80	100	125	160	200	250	315	400	400	500							
		AC23B	35	50	65	80	125	125	160	200											
	440V	DC21	35	50	65	80	100	125	160	200	315	400	400	500							
		DC22	35	50	65	80	100	125	160	200	315	400	400	500							
		DC23	35	50	65	80	100	125	160	200											
Motor power P(KW)	400V	25	35	45	55	63	80	100	132	160	220	280	315	560	560	560	710	710	710		
	750V	20	30	40	45	75	75	90	110	185	185	185	185	475	475	475	750	750	750		
Overload capacity																					
Rated short-time withstand current Icw(KARms)0.1S/1.0S		0.756	0.756	1.2	1.2	20/10	20/10	30/12	30/12	45/20	45/20	50/25	50/25	90/50	90/50	90/50	90/50	90/50	90/50	90/50	
Making and breaking capacity																					
Rated making capacity Icn (A Rms) AC23B 400V		400	630	800	1000	1250	1250	2000	2000	3150	4000	4000	4000	10000	10000	10000	10000	10000	10000	10000	
Rated breaking capacity Icm (A Rms) AC23B 400V		320	504	640	800	1000	1000	1600	1600	2500	3200	3200	3200	8000	8000	8000	8000	8000	8000	8000	
Rated short-circuit making capacity Icm (KA peak value)		1.066	1.066	1.7	1.7	12	12	17	17	30	30	40	40	70	70	70	70	70	70		
Mechanical life (rotation operation time)		10000	10000	10000	10000	10000	10000	10000	10000	5500	5500	5500	5500	4000	4000	3000	2500	2500	2500		
Electrical life (rotation operation time)																					
Rated voltage	COS φ =0.95 AC21B	3000	3000	3000	3000	1500	1500	1500	1500	750	750	750	750	600	600	450	400	400	350		
	Ue=750V COS φ =0.65 AC22B	2000	2000	2000	2000	1000	1000	1000	1000	500	500	500	500	400	400	300	200	200	200		
Rated current Ie	COS φ =0.35 AC23B	1000	1000	1000	1000	500	500	500	500	250	250	250	250	200	200	150	100	100	100		
Operation moment (Nm)		2.5	2.5	4	6.5	4	6.5	10	10	14.5	14.5	14.5	14.5	27	27	27	60	60	60		
Weight (Kg)	3 poles	0.37	0.37	0.37	0.37	1	1	2	2	3.5	3.5	4	4	10.5	10.5	16	31	31	42		
	4 poles	0.41	0.41	0.41	0.41	1.5	1.5	2.5	2.5	4	4	4.5	4.5	13	13	20	40	40	49		

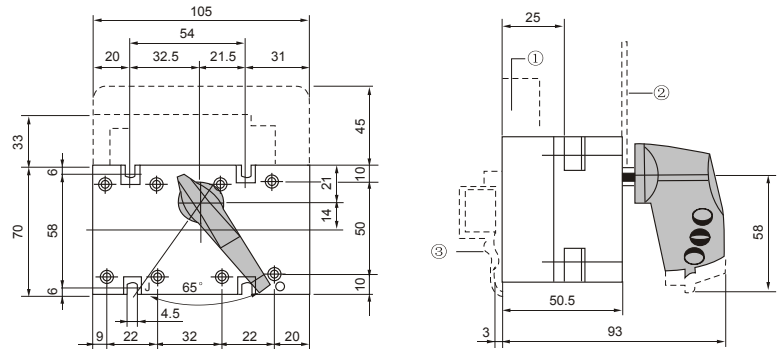
YGL-63~3150A

Series Load-isolation Switch

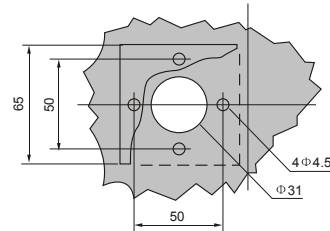


YGL-63~100A Outline and installation dimensions

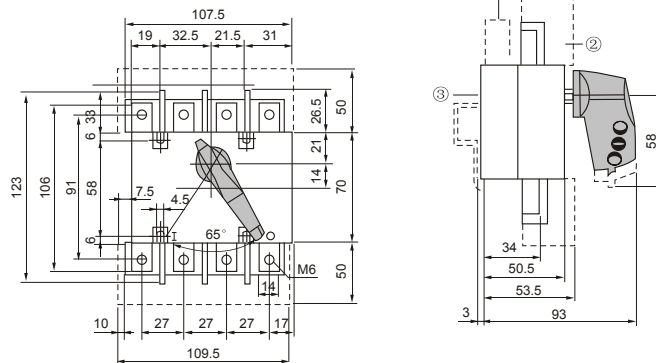
- YGL-40~63A Front direct operation



Front operation outside the cabinet

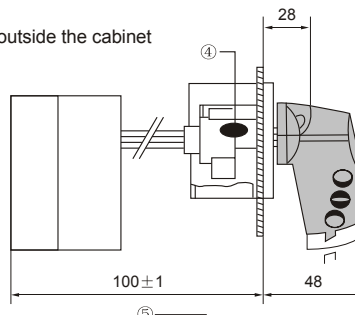


- YGL-80~100A Front direct operation



- Pre-breaking auxiliary contact
- Terminal barrier
- Clamp for fixing DIN rail

Front operation outside the cabinet



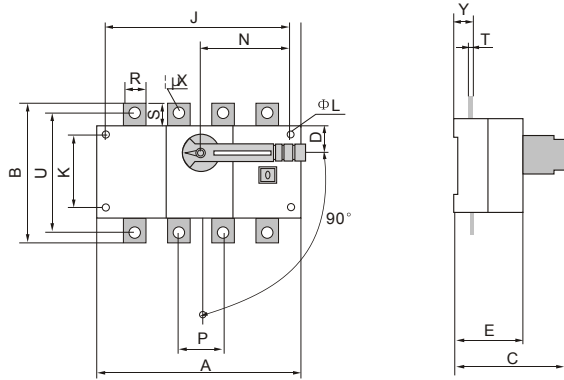
- The width of sliding dead bolt of handle lock is 30mm.
- The min length of extension shaft is 125 ± 1

YGL-63~3150A

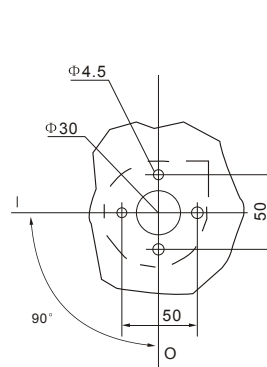
Series Load-isolation Switch



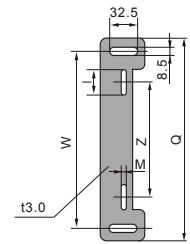
YGL-125~630A Outline and installation dimensions



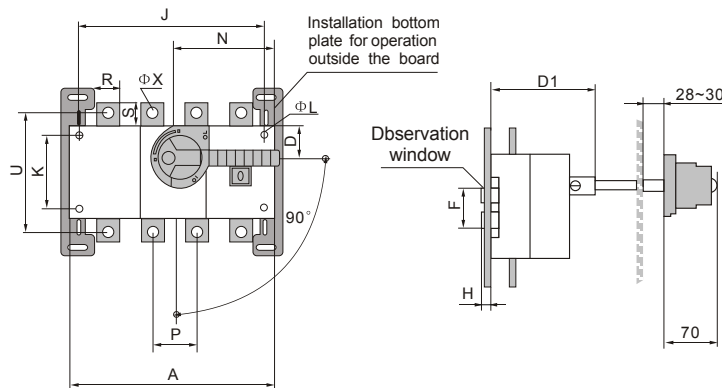
Direct operation of CZGL -125~630A



Installation size of handle seat outside board



Installation bottom plate for operation outside the board



Operation outside CZGL -125~630A/JK board

Specification	Dimension of Bottom Board				
	I	M	Z	W	Q
YGL-125A	55	5.5	85	190	218
YGL-160A	55	5.5	85	190	218
YGL-200A	55	5.5	85	190	218
YGL-250A	55	5.5	85	190	218
YGL-315A	60	6.5	130	240	270
YGL-400A	60	6.5	130	240	270
YGL-500A	60	6.5	130	240	270
YGL-630A	60	6.5	130	240	270

Specification	External Dimension and Installation Dimension																		
	A	B	C	D	D1	E	ΦL	J	K	N	P	R	S	T	U	ΦX	Y	F	H
YGL-125A/3	140	135	120	27	93	73	5.5	120	65	85	36	20	25	3	114	10	24	49	10
YGL-125A/4	170	135	120	27	93	73	5.5	150	65	85	36	20	25	3	114	10	24	49	10
YGL-160A/3	140	135	120	27	93	73	5.5	120	65	85	36	20	25	3	114	10	24	49	10
YGL-160A/4	170	135	120	27	93	73	5.5	150	65	85	36	20	25	3	114	10	24	49	10
YGL-200A/3	180	165	140	35	103	86	7	160	90	115	50	25	30	3.5	134	11	27	79	15
YGL-200A/4	230	165	140	35	103	86	7	210	90	115	50	25	30	3.5	134	11	27	79	15
YGL-250A/3	180	165	140	35	103	86	7	160	90	115	50	25	30	3.5	134	11	27	79	15
YGL-250A/4	230	165	140	35	103	86	7	210	90	115	50	25	30	3.5	134	11	27	79	15
YGL-315A/3	230	234	140	50	138	116	7	210	140	145	65	32	38	5	205	11	37	94	20
YGL-315A/4	290	234	140	50	138	116	7	270	140	145	65	32	38	5	205	11	37	94	20
YGL-400A/3	230	234	185	50	138	116	7	210	140	145	65	32	38	5	205	11	37	94	20
YGL-400A/4	290	234	185	50	138	116	7	270	140	145	65	32	38	5	205	11	37	94	20
YGL-500A/3	230	250	185	50	138	116	7	210	140	145	65	40	45	6	215	12.5	38	94	20
YGL-500A/4	290	250	185	50	138	116	7	270	140	145	65	40	45	6	215	12.5	38	94	20
YGL-630A/3	230	250	185	50	138	116	7	210	140	145	65	40	45	6	215	12.5	38	94	20
YGL-630A/4	290	250	185	50	138	116	7	270	140	145	65	40	45	6	215	12.5	38	94	20

