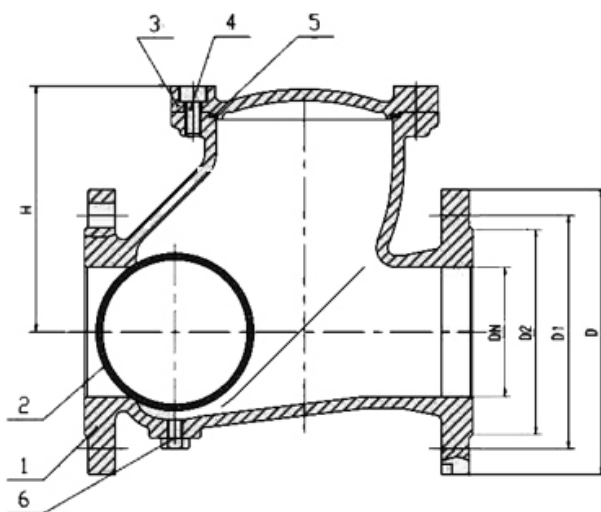


DIN CAST IRON BALL CHECK VALVE PN16



DESCRIPTION:

Available Medium: X-Water, T-Water, Steam, W-Petroleum Products

Working Temperature: X- $\leq 200^{\circ}\text{C}$, T- $\leq 200^{\circ}\text{C}$, W- $\leq 100^{\circ}\text{C}$

Face to Face Dimensions: DIN3202 F6

Flange Dimensions: DIN2532/2533

MATERIALS		
ITEM	PARTS NAME	MATERIAL
1	BODY	CAST IRON
2	BALL	CARBON STEEL+RUBBER
3	BONNET	CAST IRON
4	BOLTS AND NUTS	CARBON STEEL
5	GASKET	RUBBER
6	PLUG	CARBON STEEL

DIMENSIONS (MM)									
DN	L	D	D1	D2	b	Z-φd	f	H	KG
40	180	150	110	88	18	4-18	3	98	
50	200	165	125	102	20	4-18	3	106	8.96
65	240	185	145	122	20	4-18	3	129	
80	260	200	160	138	22	8-18	3	146	16.25
100	300	220	180	158	24	8-18	3	194	24.10
125	350	250	210	188	26	8-18	3	207	
150	400	285	240	212	26	8-23	3	240	
200	500	340	295	268	30	12-23	3	322	
250	600	405	355	320	32	12-27	3	388	