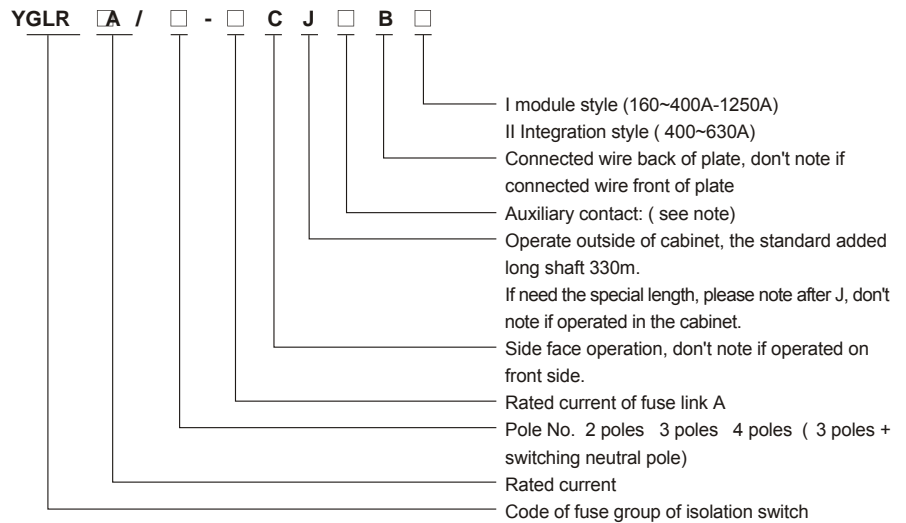




General

- YGLR Series fuse group of isolation switch (hereinafter short for switch) is multi-pole and manual operation switch, whose housing is made of glass fiber reinforced unsaturation polyester, it has merits of high dielectric property, guard capacity and reliable operation.
- The operation mechanism, it is accelerate mechanism of spring energy storage, in instantaneous release, it is also a mechanism that is instantaneous making and breaking multi-breakpoint contact. It is no related with the speed of operation handle, thus, it extremely improves each electric performance and mechanical performance.
- Fuse group of isolation switch can makes sure making and breaking circuit with load, and it has reliable over current or short-circuit breaking protection.
- Obviously saw the breaking state.
- With strong hot and humidity proofing.
- Because the switch owns the merits of graceful appearance, novel, simple, small volume and complete function, it is best selection among the same products .

Model description



Note: don't note if the function in the box is not necessary.

F-NC or NO auxiliary contact,

S-NO+ NC S type auxiliary contact,

U- U type auxiliary contact.

Example for lecto type : rated current 160A, 3 poles, side face operation in the cabinet

Mated with the spec of fuse link



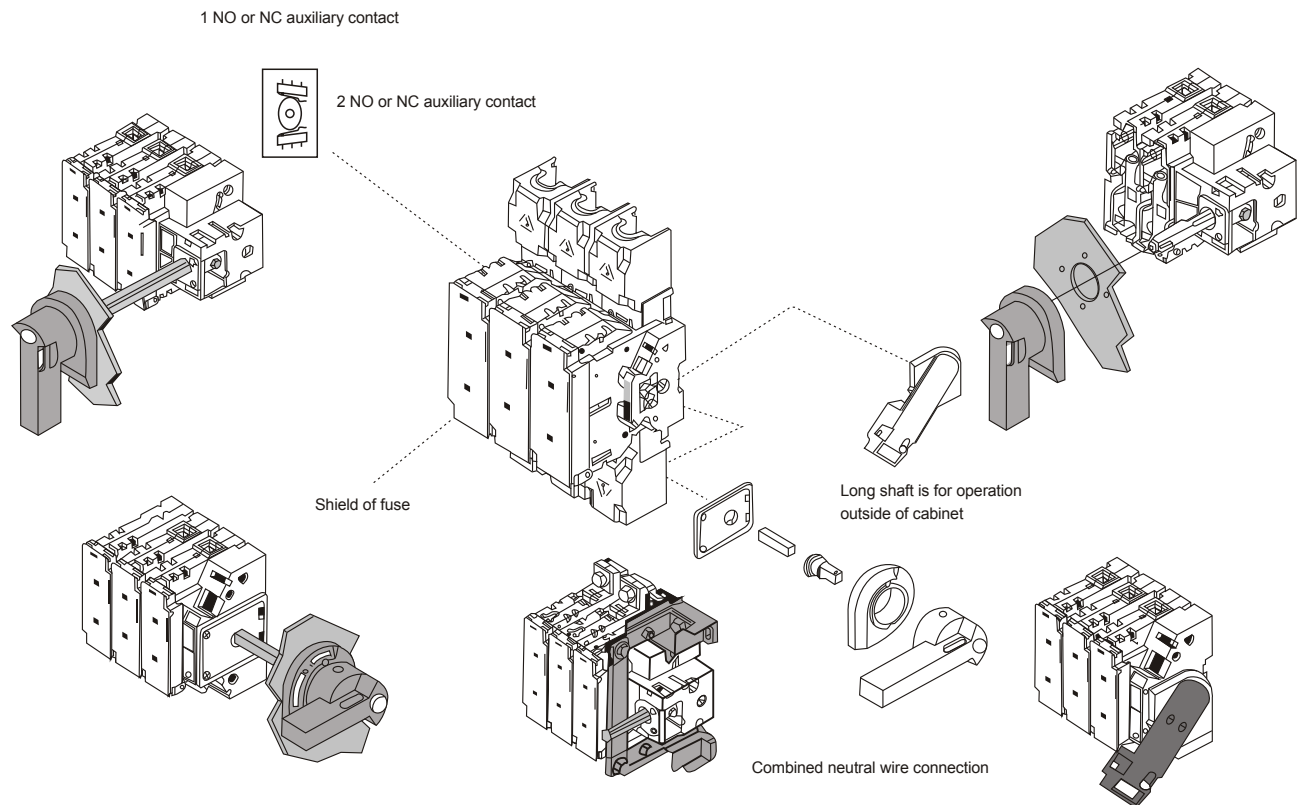
Rated current of fuse group of isolation switch A	Rated current of fuse link A	Size of fuse link
63	10、20、30、40、50、63	00C
160	63、80、100、125、160	00
250	160	0
	200、250	1
400	300、315、400	2
630	400、500、630	3
1250	800、1000、1250	4

YGLR-63~1250A / I Type Fuse Group of Isolation Switch

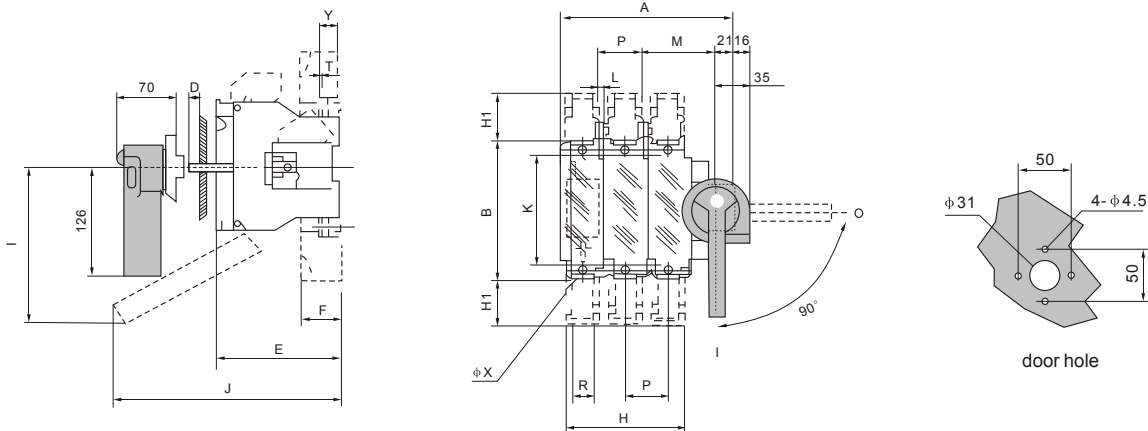
It makes sure making and breaking circuit with load, with reliable over-current and short-circuit breaking protection, also obviously saw the breaking state. Own two poles, three poles, four poles (three poles+ switch neutral pole). The fuser can be divided into 23 specs from 63A to 1250A.

Structure and operation mode

- Direct operation on front face: the handle is installed on the front face of switch.
- Direct operation on side face: the handle is installed on the right of switch (it is noted separately if the handle is installed on the left of switch).
- Front face operation outside of cabinet: the handle is installed on the front face outside of the distribution cabinet door.
- Side face operation outside of cabinet: the handle is installed on the right of distribution cabinet outside. (it is noted separately if the handle is installed on the left)

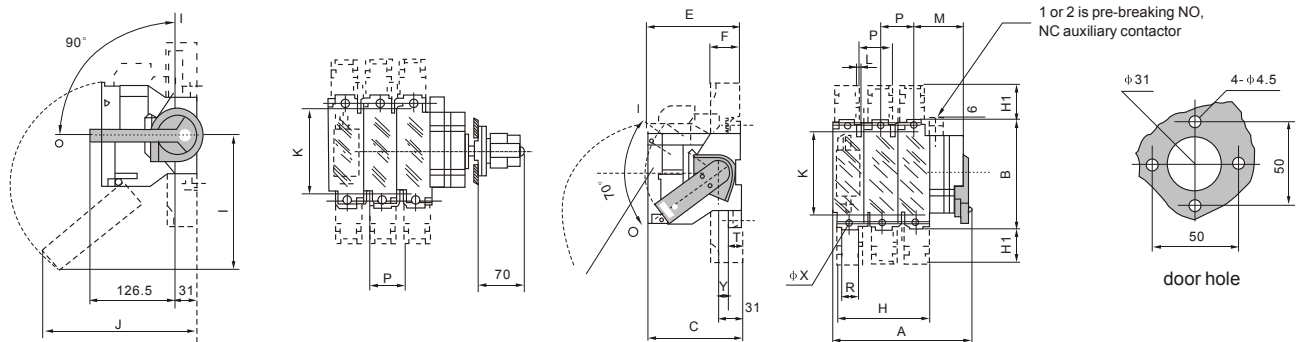


YGLR-63~400A/I Outline and installation dimensions



CZGLR63~400A Front face operation outside of cabinet

Specification	Size of fuse	External Dimension and Installation Dimension																
		A	B	D	E	F	H	H1	I	J	K	L	M	P	R	T	φX	Y
YGLR-63A/3	0~00C	152	118	20~30	117				159	145	106	5	62.5	32				
YGLR-63A/4	0~00C	184	118	20~30	117				159	145	106	5	62.5	32				
YGLR-160/3	0~00	164	162	28~30	126	44	108	53	141	189	127	5.4	67	36	20	2.5	8.5	19.5
YGLR-160/4	0~00	200	162	28~30	126	44	144	53	141	189	127	5.4	67	36	20	2.5	8.5	19.5
YGLR-250/3	1	236	195	28~30	146	65	180	75	185	251	162	6.2	90.5	60	32	2.5	11	19.5
YGLR-250/4	1	296	195	28~30	146	65	240	75	185	251	162	6.2	90.5	60	32	2.5	11	19.5
YGLR-400/3	2	278	205	28~30	149	65	192	75	200	260	172	7	121	66	50	3	11	20
YGLR-400/4	2	344	205	28~30	149	65	258	75	200	260	172	7	121	66	50	3	11	20



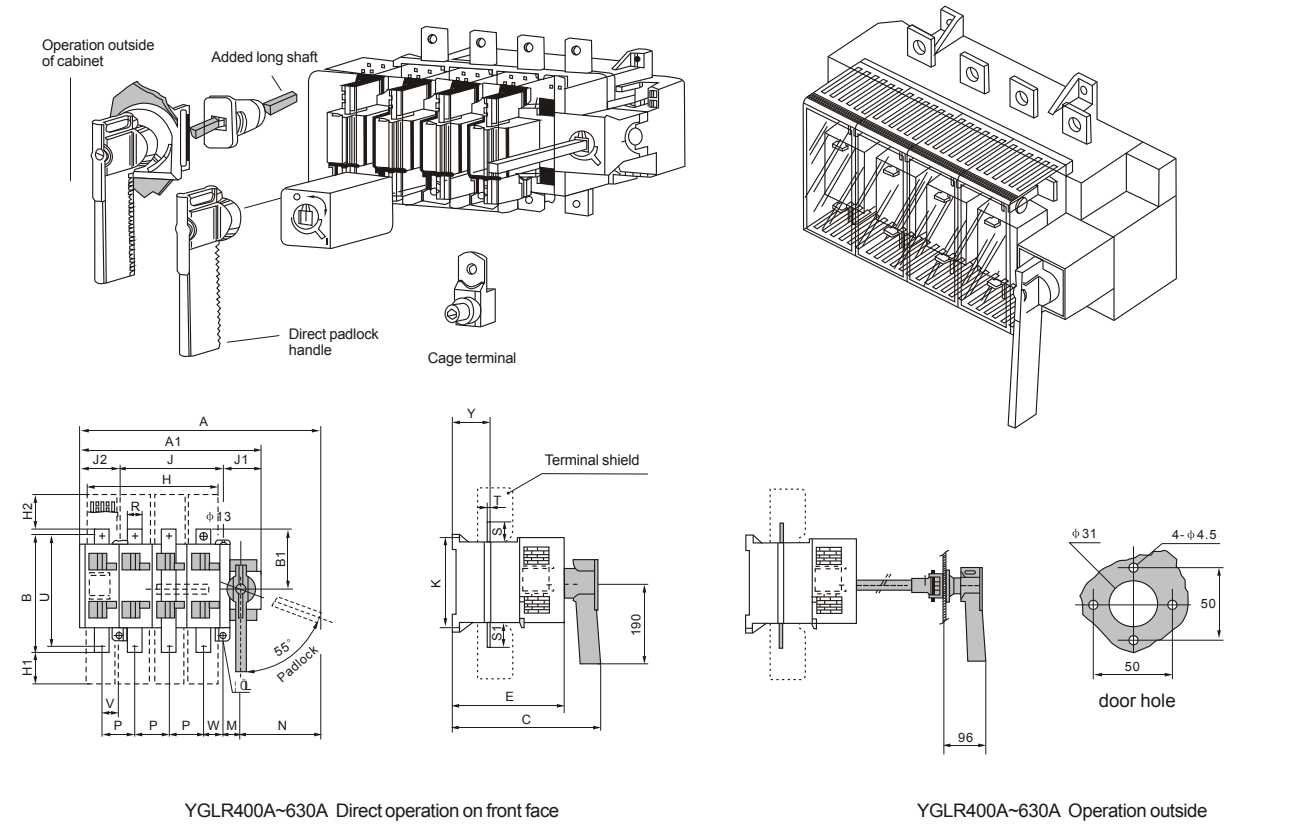
63~400A side face operation outside of cabinet

No connection rod prolong

CZGLR63~400A side face operation

Specification	Size of fuse	External Dimension and Installation Dimension																
		A	B	C	E	F	H	H1	I	J	K	L	M	P	R	T	φX	Y
YGLR-63A/3	0~00C	133	118	134	126.5		116.5		159	145	106	5	36	32				
YGLR-63A/4	0~00C	164	118	117	126.5		116.5		159	145	106	5	36	32				
YGLR-160/3	0~00	150	162	173	126.5	44	108	53	141	189	127	5.4	38	36	20	2.5	8.5	19.5
YGLR-160/4	0~00	186	162	173	126.5	44	144	53	141	189	127	5.4	38	36	20	2.5	8.5	19.5
YGLR-250/3	1	253	195	173	146	65	180	75	185	251	162	6.2	81	60	32	2.5	11	19.5
YGLR-250/4	1	313	195	173	146	65	240	75	185	251	162	6.2	81	60	32	2.5	11	19.5
YGLR-400/3	2	271	205	173	149	65	192	75	200	260	172	7	86	66	50	3	11	20
YGLR-400/4	2	337	205	173	149	65	250	75	200	260	172	7	86	66	50	3	11	20

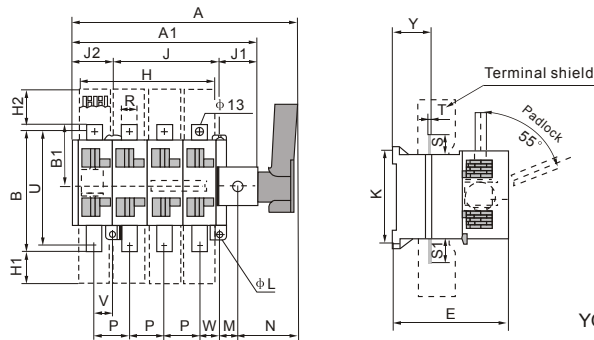
YGLR-400~630A/I Outline and installation dimensions



YGLR400A~630A Direct operation on front face

YGLR400A~630A Operation outside

Specification	Size of fuse	External Dimension and Installation Dimension																								
		A	A1	B	B1	C	E	H	H1	H2	J	J2	J1	K	M	N	P	R	S	S1	T	V	U	W	φL	Y
YGLR-400A/3	2	414	285	238	115	307	221	190	71	79	210	70	65	180	32.5	162	65	32	35	43	5	40.5	208	39.5	7	69
YGLR-400A/4	2	474	345	238	115	307	221	255	71	79	210	70	65	180	32.5	162	65	32	35	43	5	24.5	208	39.5	7	69
YGLR-630A/3	3	470	345	300	150	348	268	235	85	85	250	100	76	250	38.5	162	80	50	50	50	7	45.5	260	44.5	9	74
YGLR-630A/4	3	550	425	300	150	348	268	315	85	85	250	100	76	250	38.5	162	80	50	50	50	7	34.5	260	44.5	9	74



YGLR400~630A side face direct operation

Specification	Size of fuse	External Dimension and Installation Dimension																							
		A	A1	B	B1	E	H	H1	H2	J	J2	J1	K	M	N	P	R	S	S1	T	V	U	W	φL	Y
YGLR-400A/3	2	500	285	238	115	221	190	71	79	210	70	65	180	32.5	119	65	32	30	43	5	40.5	208	39.5	7	69
YGLR-400A/4	2	560	345	238	115	221	255	71	79	210	70	65	180	32.5	119	65	32	30	43	5	24.5	208	39.5	7	69
YGLR-630A/3	3	550	345	300	150	268	235	85	85	250	100	76	250	38.5	119	80	50	50	50	7	45.5	260	44.5	9	74
YGLR-630A/4	3	630	425	300	150	268	315	85	85	250	100	76	250	38.5	119	80	50	50	50	7	34.5	260	44.5	9	74

YGLR-1250A Outline and installation dimensions

