

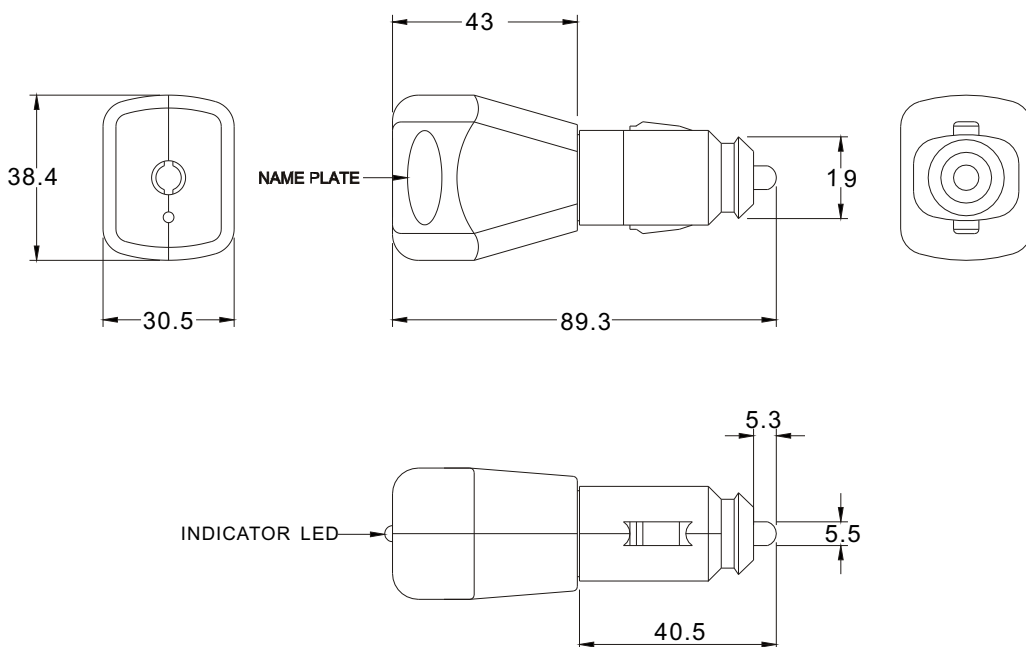
In car power supply (DC TO DC)

Features:

- Input voltage 11VDC to 15VDC
- Optional input and output connectors
- High reliability
- High efficiency
- Compact package
- One year limited warranty



UNIT:mm



Model name	Output Voltage	Output Current	Maximum Output Power
PSD12-1	5 ~ 6 VDC	1.00 ~ 0.83A	5W
PSD12-1-1	6 ~ 8 VDC	1.00 ~ 0.75A	6W
PSD12-2	8 ~ 10 VDC	1.00 ~ 0.72A	8W
PSD12-4	13 ~ 16 VDC	0.61 ~ 0.50A	8W
PSD12-5	16 ~ 21 VDC	0.50 ~ 0.38A	8W
PSD12-6	21 ~ 27 VDC	0.38 ~ 0.29A	8W
PSD12-7	27 ~ 33 VDC	0.29 ~ 0.24A	8W
PSD12-8	33 ~ 48 VDC	0.24 ~ 0.16A	8W

Note:

- 1.Weight:Approx 70~100g
- 2.Optional output connectors(see page 68)