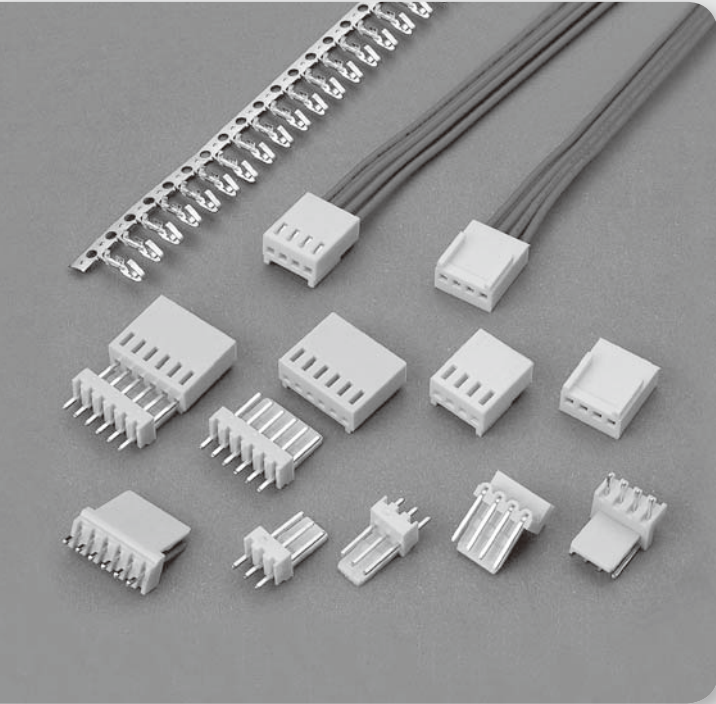


2.50mm (.098") Crimp Style Connectors



Specifications

- Voltage Rating : 250V AC/DC
- Current Rating : 3A AC/DC
- Withstanding Voltage : 1,000V AC/minute
- Insulation Resistance : 1,000MΩ min.
- Temperature Range : -25°C to + 85°C
- Contact Resistance : 20mΩ max.

Features:

■ HOUSING

Part No. : JS-8002

Poles : 2 - 15

Material : Nylon 66 UL94V-2

Q'ty : 1,000 pcs/Bag

■ WAFER

Part No. : JS-6002 (Straight)

JS-7002 (Right Angle)

Poles : 2 - 15

Material : Contact : Brass, Tin Plated

Base : Nylon 66 UL94V-2

Q'ty : 1,000 pcs/Bag

■ TERMINAL

Part No. : JS-8001-T, JS-8001-PBT

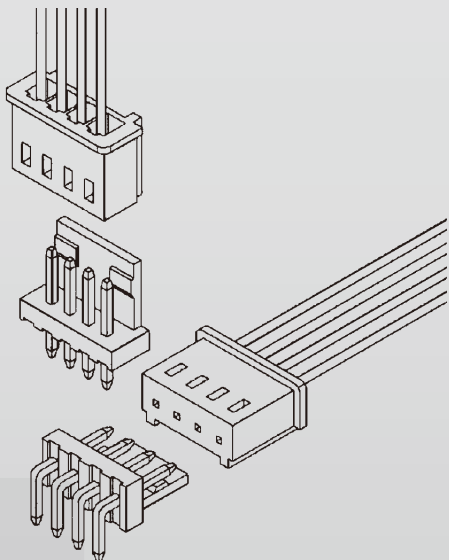
Applicable Wires : AWG# 22 - 28

Material : Brass, Phos. Bronze

Finish : Tin Plated

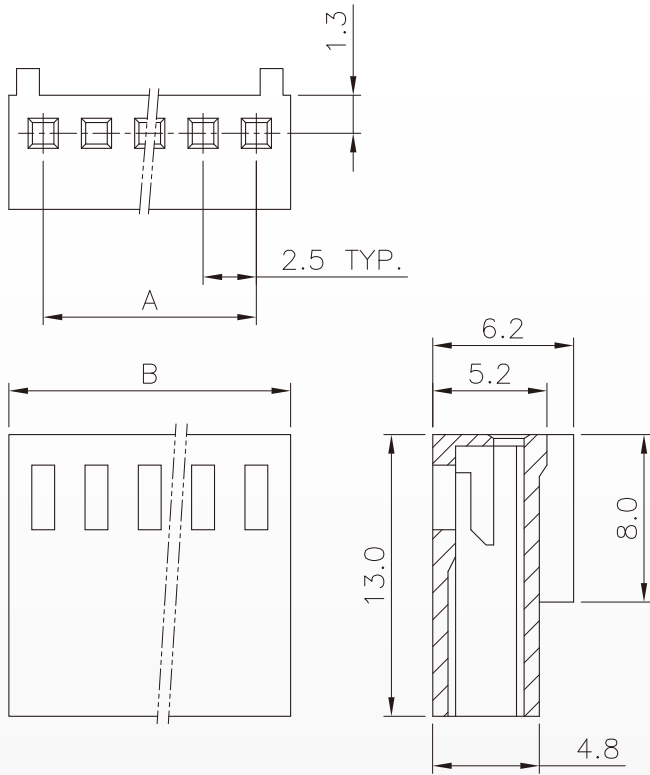
Thickness : 0.2mm

Q'ty : 10,000 pcs/Reel



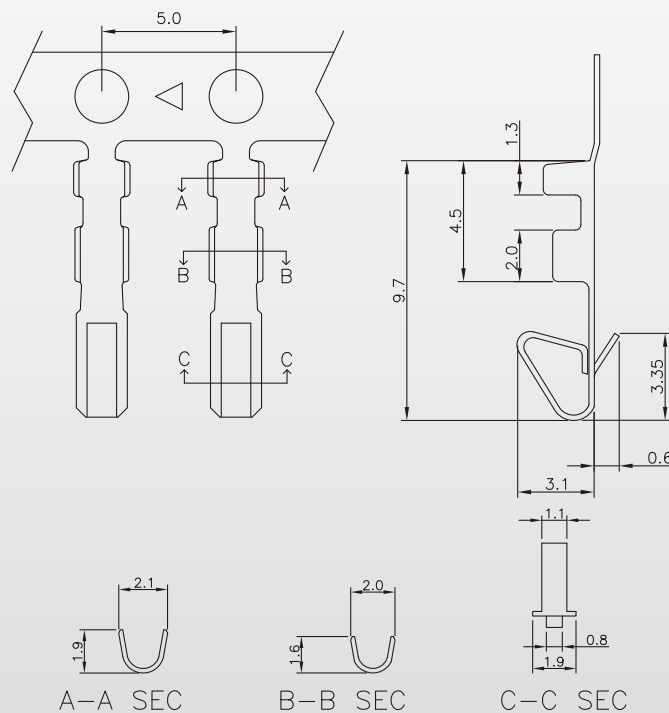
2.50mm (.098") Crimp Style Connectors

Housing JS-8002



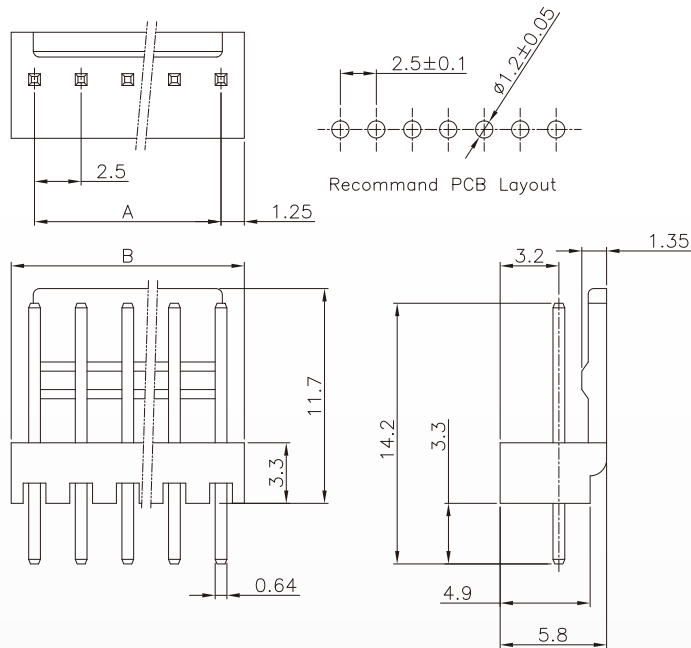
Poles	Part No.	Dimensions (mm)	
	JS-8002	A	B
2	JS-8002-02	2.50	5.80
3	JS-8002-03	5.00	8.30
4	JS-8002-04	7.50	10.80
5	JS-8002-05	10.00	13.30
6	JS-8002-06	12.50	15.80
7	JS-8002-07	15.00	18.30
8	JS-8002-08	17.50	20.80
9	JS-8002-09	20.00	23.30
10	JS-8002-10	22.50	25.80
11	JS-8002-11	25.00	28.30
12	JS-8002-12	27.50	30.80
13	JS-8002-13	30.00	33.30
14	JS-8002-14	32.50	35.80
15	JS-8002-15	35.00	38.30

Terminal JS-8001-T



2.50mm (.098") Crimp Style Connectors

Wafer - Straight JS-6002



Poles	Part No.		Dimensions (mm)	
	JS-6002	JS-7002	A	B
2	JS-6002-02	JS-7002-02	2.50	5.00
3	JS-6002-03	JS-7002-03	5.00	7.50
4	JS-6002-04	JS-7002-04	7.50	10.00
5	JS-6002-05	JS-7002-05	10.00	12.50
6	JS-6002-06	JS-7002-06	12.50	15.00
7	JS-6002-07	JS-7002-07	15.00	17.50
8	JS-6002-08	JS-7002-08	17.50	20.00

Poles	Part No.		Dimensions (mm)	
	JS-6002	JS-7002	A	B
9	JS-6002-09	JS-7002-09	20.00	22.50
10	JS-6002-10	JS-7002-10	22.50	25.00
11	JS-6002-11	JS-7002-11	25.00	27.50
12	JS-6002-12	JS-7002-12	27.50	30.00
13	JS-6002-13	JS-7002-13	30.00	32.50
14	JS-6002-14	JS-7002-14	32.50	35.00
15	JS-6002-15	JS-7002-15	35.00	37.50

Wafer - Right Angle JS-7002

