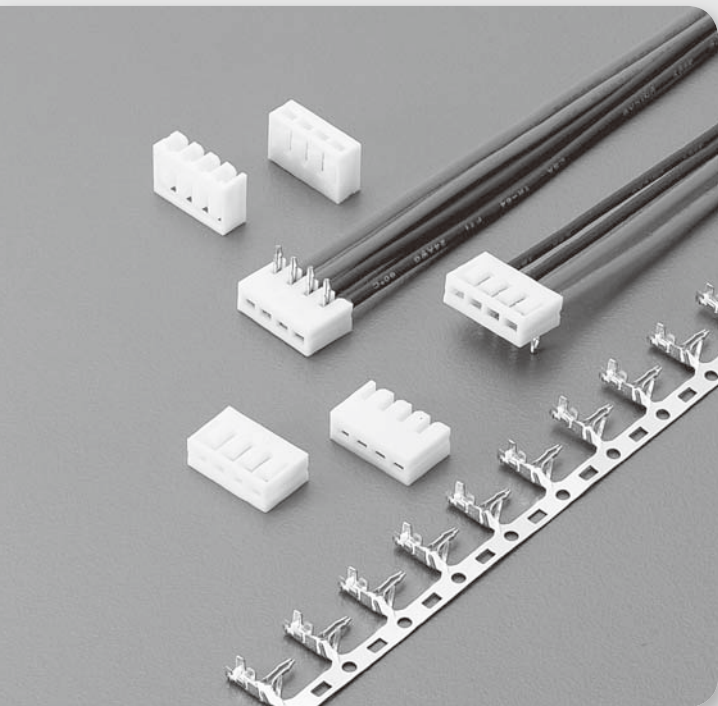


# 2.50mm (.098") Crimp Style Board-In Connectors



## Specifications

- Voltage Rating : 250V AC/DC
- Current Rating : 3A AC/DC
- Withstanding Voltage : 800V AC/minute
- Insulation Resistance : 1,000M $\Omega$  min.
- Temperature Range : -25°C to + 85°C
- Contact Resistance : 20m $\Omega$  max.

## Features:

### ■ HOUSING

Part No. : JS-1137, JS-1137B (Straight)  
JS-1137R (Right Angle)

Poles : 2 - 16

Material : Nylon 66 UL94V-0

Q,ty : 1,000 pcs/Bag

### ■ TERMINAL

Part No. : JS-1137R-TP

JS-1137-TP

JS-1137B-TP

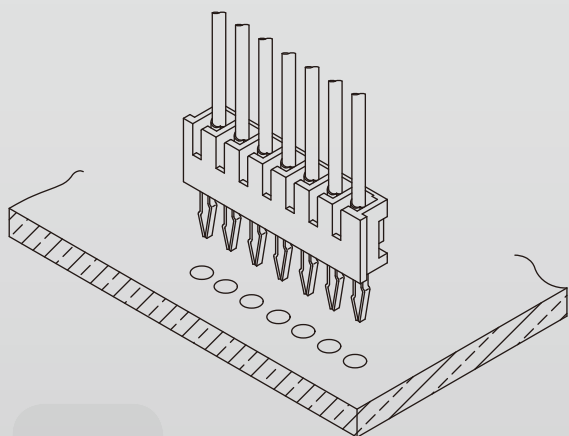
Applicable Wires : AWG# 22 - 30

Material : Brass

Finish : Pre-Stamping/Tin plated

Thickness : 0.2mm

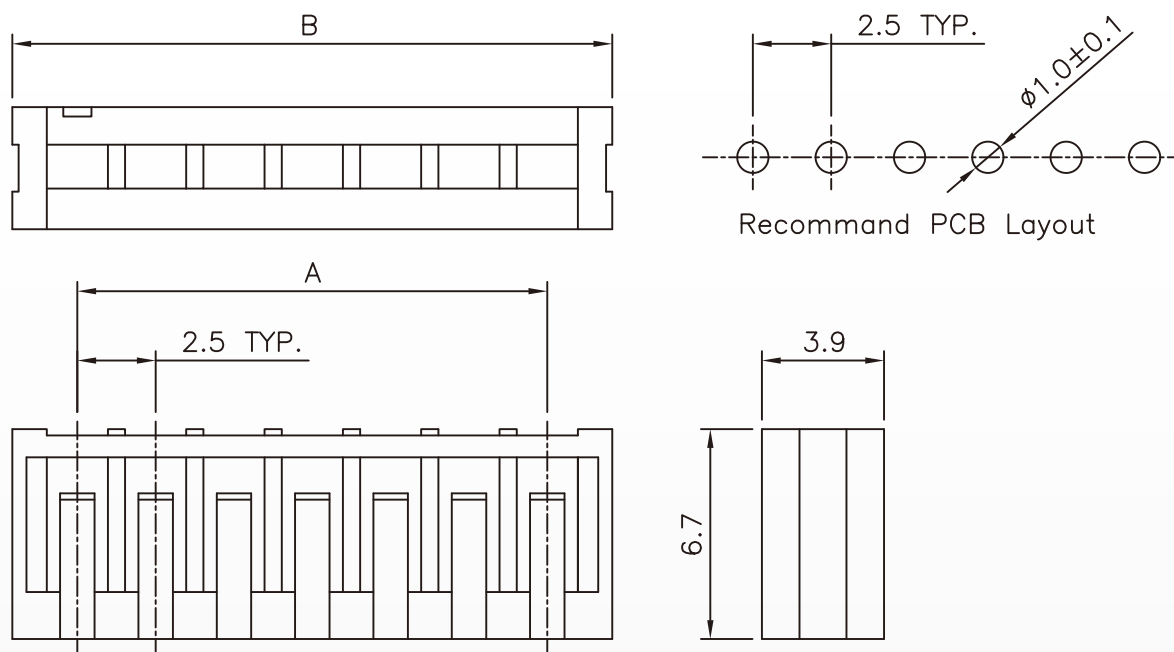
Q,ty : 10,000 pcs/Reel



# 2.50mm (.098") Crimp Style Board-In Connectors

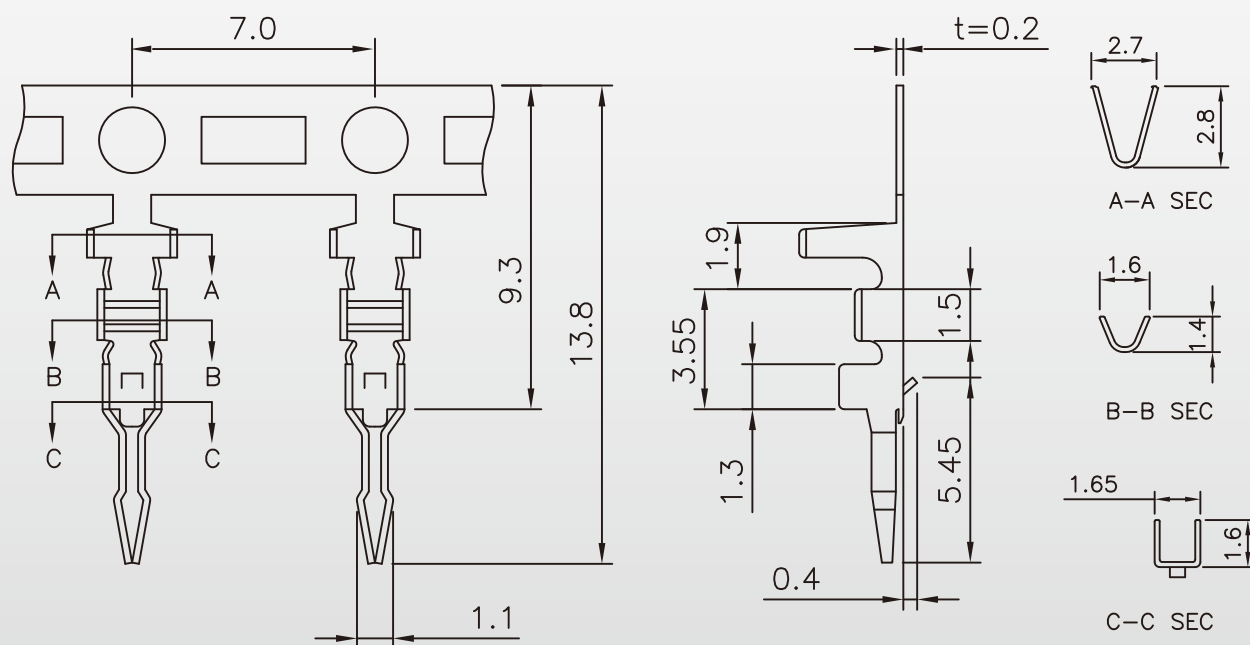
## Housing - Straight

JS-1137



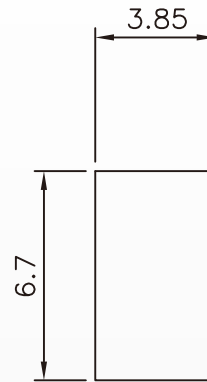
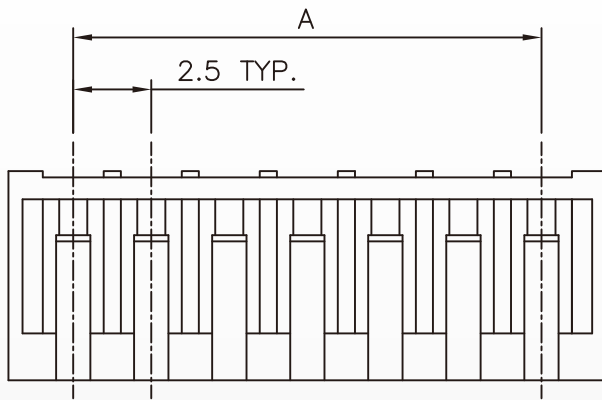
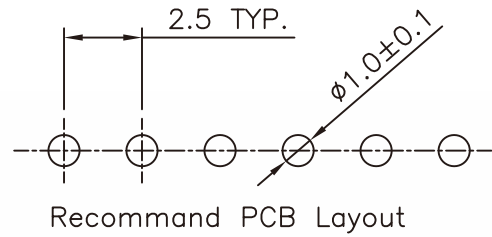
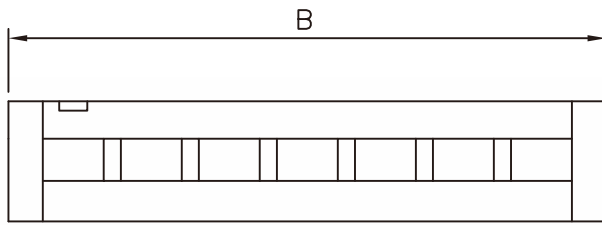
## Terminal

JS-1137-TP

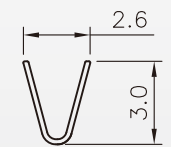
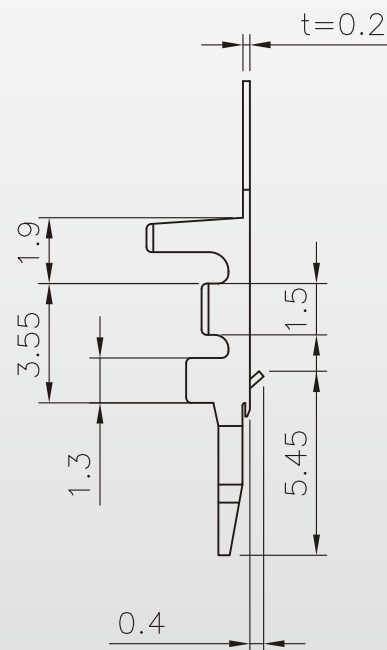
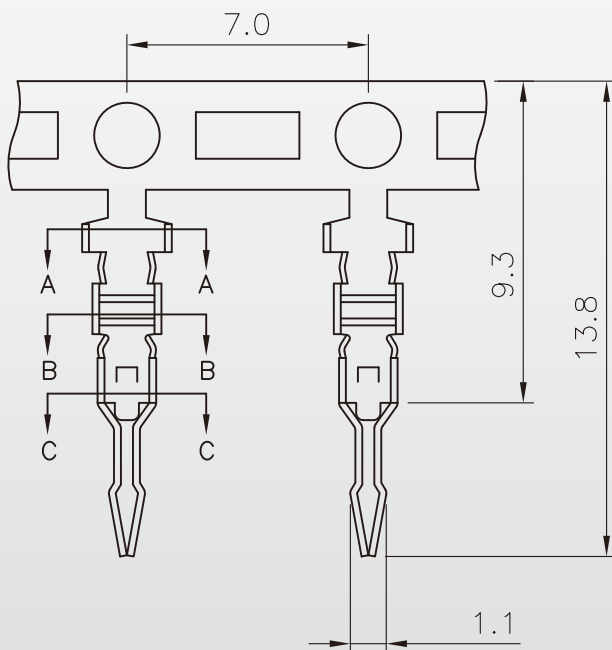


# 2.50mm (.098") Crimp Style Board-In Connectors

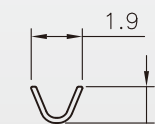
## Housing - Straight JS-1137B



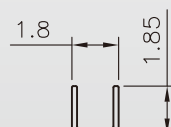
## Terminal JS-1137B-TP



A-A SEC



B-B SEC

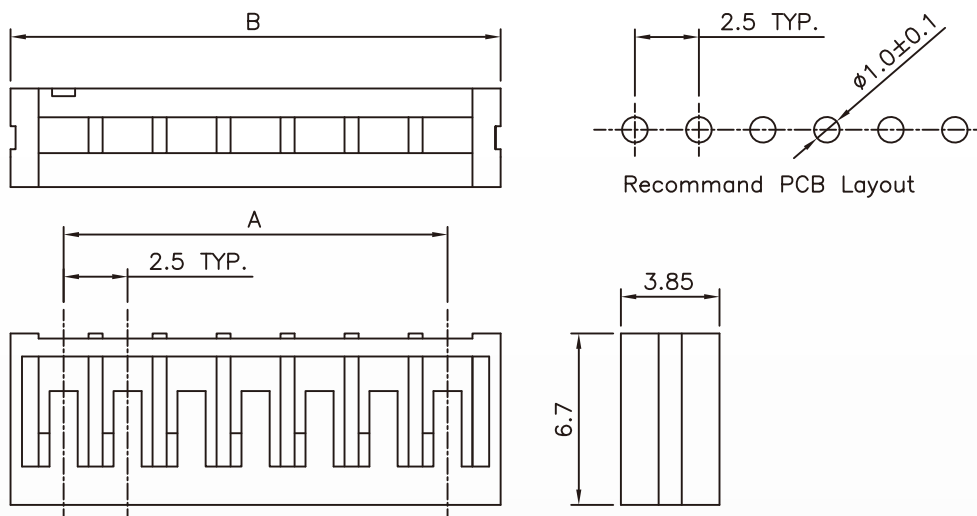


C-C SEC

# 2.50mm (.098") Crimp Style Board-In Connectors

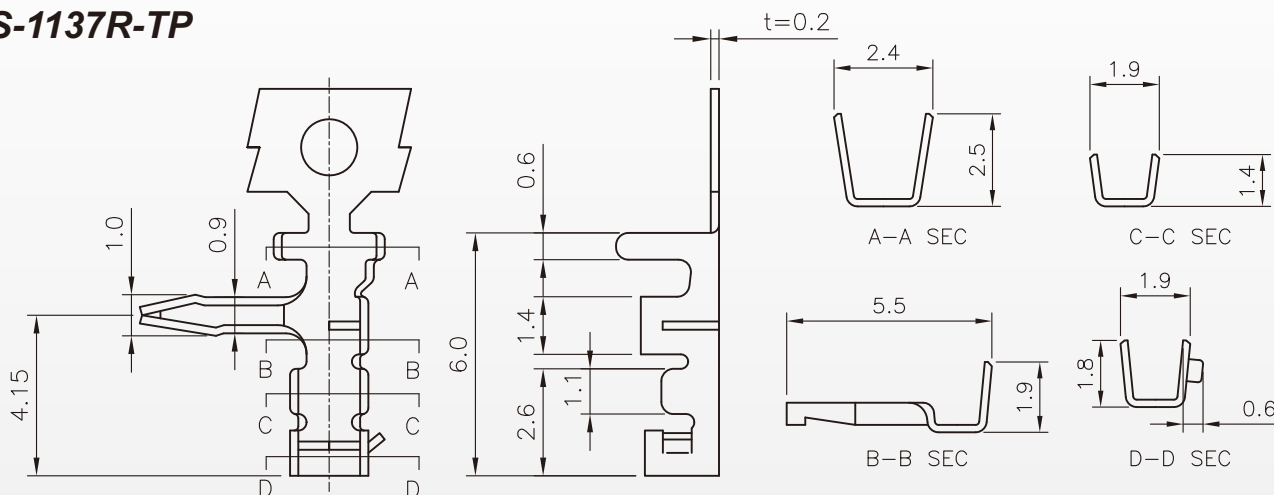
## Housing - Right Angle

### JS-1137R



## Terminal

### JS-1137R-TP



Poles	Part No.			Dimensions (mm)	
	JS-1137	JS-1137B	JS-1137R	A	B
2	JS-1137-02	JS-1137B-02	JS-1137R-02	2.50	6.50
3	JS-1137-03	JS-1137B-03	JS-1137R-03	5.00	9.00
4	JS-1137-04	JS-1137B-04	JS-1137R-04	7.50	11.50
5	JS-1137-05	JS-1137B-05	JS-1137R-05	10.00	14.00
6	JS-1137-06	JS-1137B-06	JS-1137R-06	12.50	16.50
7	JS-1137-07	JS-1137B-07	JS-1137R-07	15.00	19.00
8	JS-1137-08	JS-1137B-08	JS-1137R-08	17.50	21.50
9	JS-1137-09	JS-1137B-09	JS-1137R-09	20.00	24.00
10	JS-1137-10	JS-1137B-10	JS-1137R-10	22.50	26.50
11	JS-1137-11	JS-1137B-11	JS-1137R-11	25.00	29.00
12	JS-1137-12	JS-1137B-12	JS-1137R-12	27.50	31.50
13	JS-1137-13	JS-1137B-13	JS-1137R-13	30.00	34.00
14	JS-1137-14	JS-1137B-14	JS-1137R-14	32.50	36.50
15	JS-1137-15	JS-1137B-15	JS-1137R-15	35.00	39.00
16	JS-1137-16	JS-1137B-16	JS-1137R-16	37.50	41.50