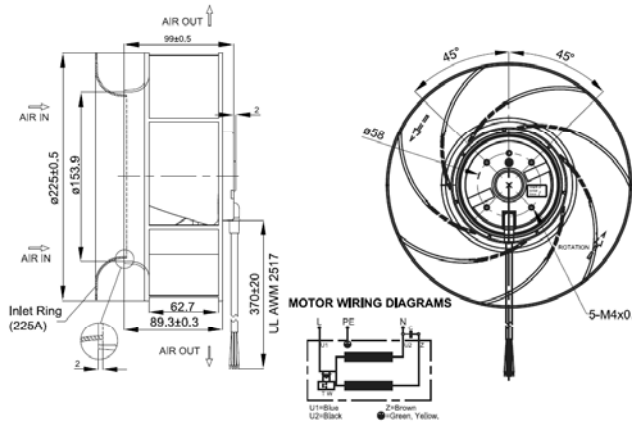


# MODEL: EA22599 SERIES

Size :  $\phi 225 \times 99$   
Unit : mm

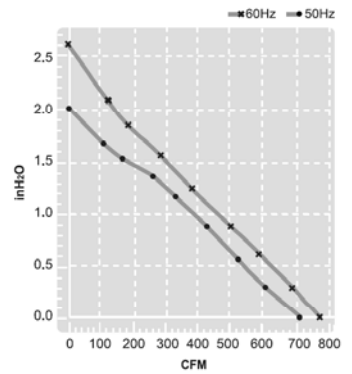


Thermal Protection



Lead Wire Type

(Centrifugal Fan)

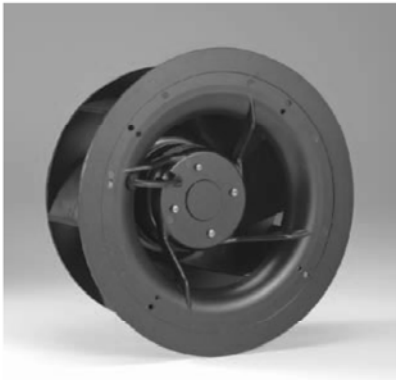


Model Spec	Rated Voltage V	Frequency Hz	Input Power W	Rated Current A	Locked Current A	Speed RPM	Maximum Air Flow m <sup>3</sup> /min	Maximum Air Flow CFM	Maximum Pressure mmH <sub>2</sub> O	Maximum Pressure InchH <sub>2</sub> O	Capacitor $\mu$ F/VDB	Noise dB	Weight KG
EA22599APA-11H1C2A	115V	50	128	1.16	2.20	2,650	20.0	700	51.0	2.00	16/250	69	2.30
		60	160	1.41	2.30	2,950	22.0	770	66.0	2.60		71	
EA22599APA-23H1C2A	230V	50	126	0.57	1.14	2,650	20.0	700	51.0	2.00	4/450	69	2.30
		60	157	0.70	1.15	2,950	22.0	770	66.0	2.60		71	

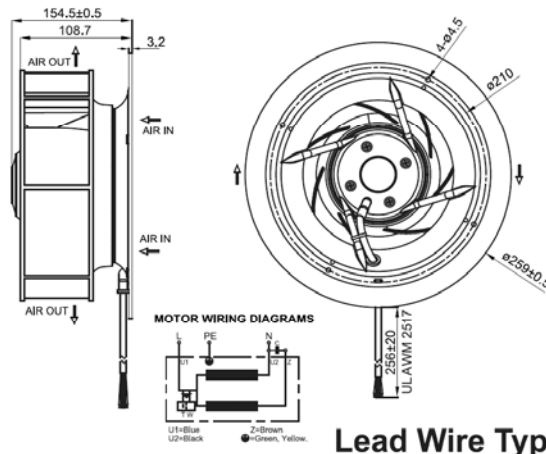
We reserve the right to change data without notice.

# MODEL: EA22599 SERIES F

Size :  $\phi 259 \times 154.5$   
Unit : mm

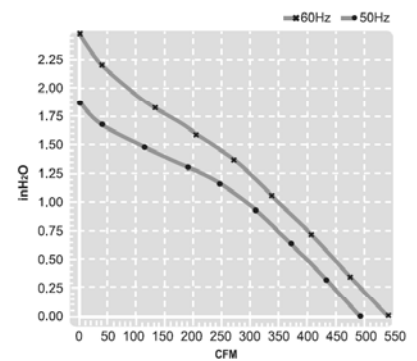


Thermal Protection



Lead Wire Type

(Centrifugal Fan)



Model Spec	Rated Voltage V	Frequency Hz	Input Power W	Rated Current A	Locked Current A	Speed RPM	Maximum Air Flow m <sup>3</sup> /min	Maximum Air Flow CFM	Maximum Pressure mmH <sub>2</sub> O	Maximum Pressure InchH <sub>2</sub> O	Capacitor $\mu$ F/VDB	Noise dB	Weight KG
EA22599APA-11H1C2F	115	50	128	1.16	2.22	2,650	20	700	51	2.0	16/250	69	2.6
		60	160	1.41	2.30	2,950	22	770	66	2.6		71	
EA22599APA-23H1C2F	230	50	126	0.57	1.14	2,650	20	700	51	2.0	4/450	69	2.6
		60	157	0.70	1.15	2,950	22	770	66	2.6		71	

We reserve the right to change data without notice.