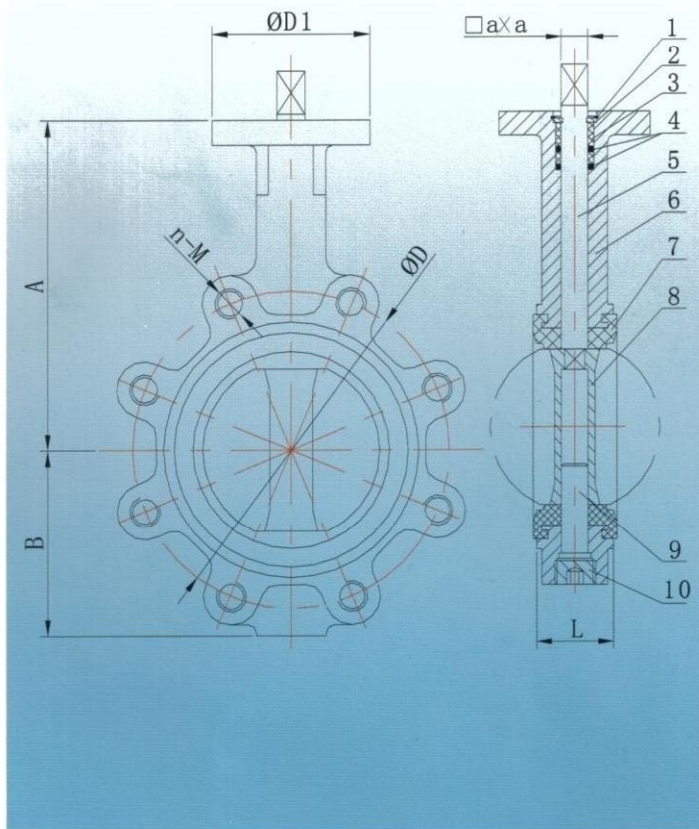
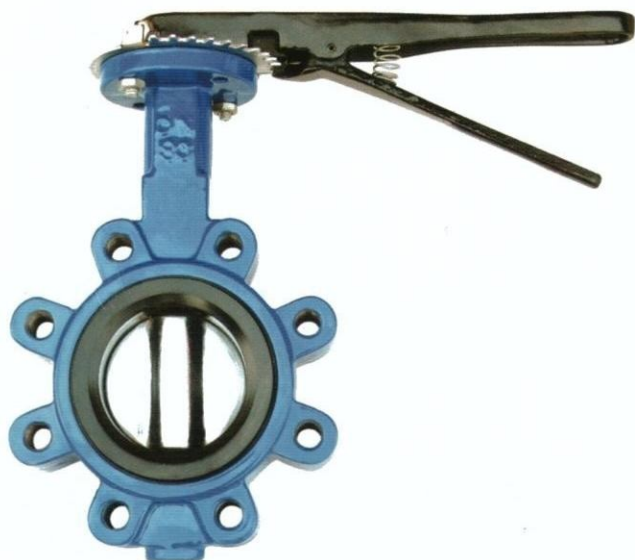


## Lug Type Butterfly Valve



### Description:

1. Working pressure: 1.0/ 1.6Mpa
2. Working temperature:  
NBR: 0°C ~ +80°C  
EPDM: -10°C ~ +120°C
3. Face to face: DIN3202 K1
4. Flange standards: EN1092-2, ANSI 125/150 etc
5. Testing : DIN3230 , API598
6. Medium: Fresh Water, Sea water, food stuff, all kinds of oil etc.

### Dimension:

DN(mm)	50	65	80	100	125	150	200	250	300
A (mm)	161	175	181	200	213	226	260	292	337
B (mm)	80	90	95	114	127	140	175	203	242
L(mm)	42	44	48	52	56	56	60	68	78
ΦD (mm)	Φ125	Φ145	Φ160	Φ180	Φ210	Φ240	Φ295	Φ355	Φ410
n-M(mm)	4-M16	8-M16	8-M16	8-M16	8-M20	8-M20	12-M20	12-M24	12-M24
ΦD1 (mm)	90	90	90	90	90	90	90	125	125
□a×a (mm)	9×9	9×9	11×11	12×12	14×14	14×14	17×17	20×20	22×22

### Material List:

NO.	Part	Material
1	Circlip	65MN
2	Lock Piece	Steel
3	Sleeve	PTFE
4	O-ring	NBR
5	Shaft	SS304
6	Body	GG25/GGG40
7	Seat ring	NBR/EPDM
8	Disc	GGG40/SS304/SS316
9	Shaft	SS304
10	Screw	Steel