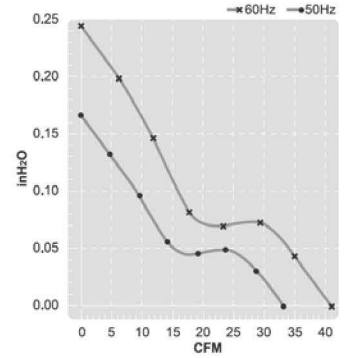
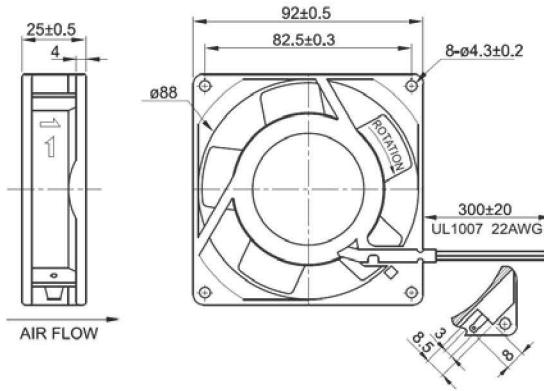


# MODEL: EA9225 SERIES

Size : 92 x 92 x 25  
Unit : mm



Impedance Protection

Terminal or Lead Wire Type

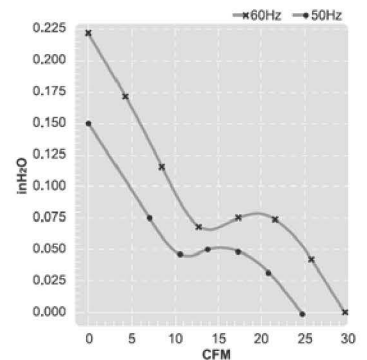
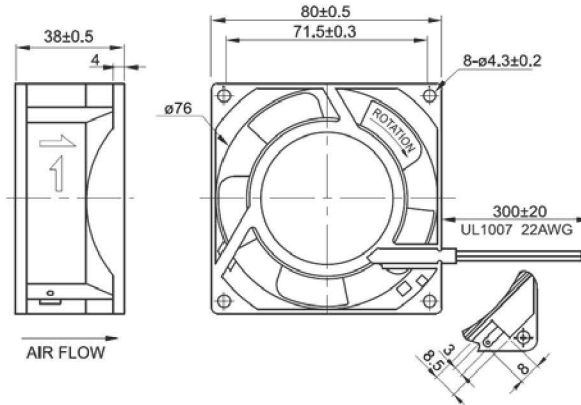


Model Spec	Rated Voltage V	Frequency Hz	Input Power W	Rated Current A	Locked Current A	Speed RPM	Maximum Air Flow m <sup>3</sup> /min	Maximum Air Flow CFM	Maximum Pressure mmH <sub>2</sub> O	Maximum Pressure InchH <sub>2</sub> O	Noise dB	Weight KG
EA9225-11HB / HS	115V	50	14	0.15	0.16	2,500	0.93	33	4.5	0.18	32	0.28
		60	11	0.12	0.13	3,000	1.13	40	6.5	0.26	36	
EA9225-23HB / HS	230V	50	16	0.08	0.09	2,500	0.93	33	4.5	0.18	32	0.28
		60	14	0.07	0.08	3,000	1.13	40	6.5	0.26	36	
EA9225-11LB / LS	115V	50	14	0.14	0.15	1,800	0.55	20	2.5	0.10	28	0.28
		60	11	0.11	0.12	2,300	0.70	25	4.0	0.16	32	
EA9225-23LB / LS	230V	50	16	0.07	0.08	1,800	0.55	20	2.5	0.10	28	0.28
		60	14	0.06	0.07	2,300	0.70	25	4.0	0.16	32	

We reserve the right to change data without notice.

# MODEL: EA8038 SERIES

Size : 80 x 80 x 38  
Unit : mm



Impedance Protection

Terminal or Lead Wire Type



Model Spec	Rated Voltage V	Frequency Hz	Input Power W	Rated Current A	Locked Current A	Speed RPM	Maximum Air Flow m <sup>3</sup> /min	Maximum Air Flow CFM	Maximum Pressure mmH <sub>2</sub> O	Maximum Pressure InchH <sub>2</sub> O	Noise dB	Weight KG
EA8038-11HB / HS	115V	50	12	0.14	0.15	2,500	0.68	24	4.0	0.16	32	0.28
		60	9	0.12	0.13	3,000	0.83	30	5.5	0.22	36	
EA8038-23HB / HS	230V	50	14	0.07	0.08	2,500	0.68	24	4.0	0.16	32	0.28
		60	12	0.06	0.07	3,000	0.83	30	5.5	0.22	36	
EA8038-11LB / LS	115V	50	12	0.12	0.13	1,900	0.55	20	2.5	0.10	28	0.28
		60	9	0.10	0.11	2,400	0.70	25	4.0	0.16	32	
EA8038-23LB / LS	230V	50	14	0.06	0.07	1,900	0.55	20	2.5	0.10	28	0.28
		60	12	0.05	0.06	2,400	0.70	25	4.0	0.16	32	

We reserve the right to change data without notice.