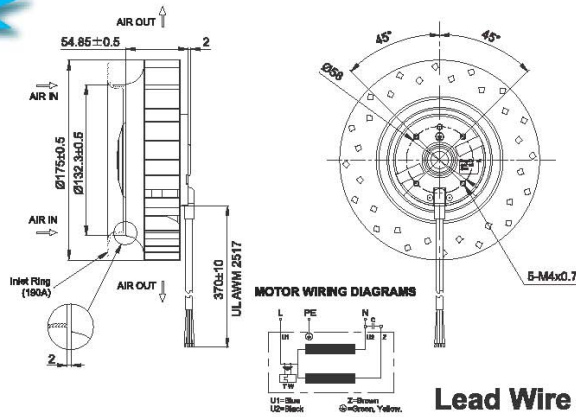


MODEL: EA17554 SERIES

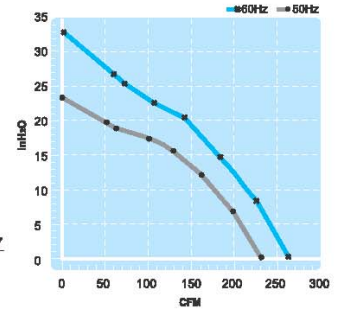
Size : $\phi 175 \times 54.85$
Unit : mm



Thermal Protection



(Centrifugal Fan)



Lead Wire Type



Model Spec	Rated Voltage V	Frequency Hz	Input Power W	Rated Current A	Locked Current A	Speed RPM	Maximum Air Flow m ³ /min	Maximum Air Flow CFM	Maximum Pressure mmH ₂ O	Maximum Pressure InchH ₂ O	Capacitor μ F/VDB	Noise dB	Weight KG
EA17554AMA-11H1C2A	115	50	60	0.55	0.82	2550	6.5	230	23	0.9	6/250	66	1.3
		60	66	0.55	0.84	2900	7.5	265	33	1.3		70	
EA17554AMA-23H1C2A	230	50	60	0.27	0.41	2550	6.5	230	23	0.9	1.5/450	66	1.3
		60	66	0.28	0.42	2900	7.5	265	33	1.3		70	

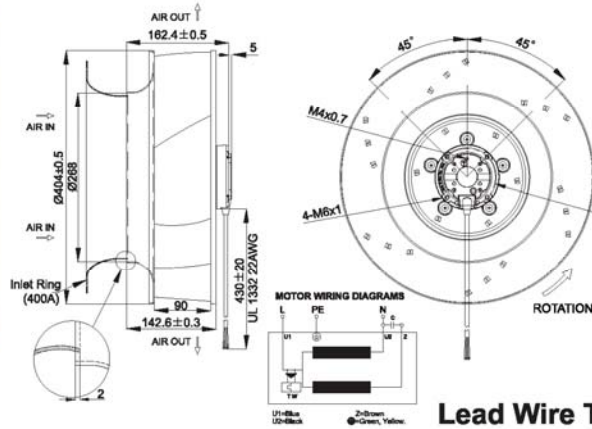
We reserve the right to change data without notice.

MODEL: EA40017SERIES

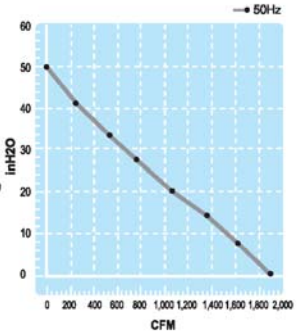
Size : $\phi 400 \times 162.4$
Unit : mm



Thermal Protection



(Centrifugal Fan)



Lead Wire Type



Model Spec	Rated Voltage V	Frequency Hz	Input Power W	Rated Current A	Locked Current A	Speed RPM	Maximum Air Flow m ³ /min	Maximum Air Flow CFM	Maximum Pressure mmH ₂ O	Maximum Pressure InchH ₂ O	Capacitor μ F/VDB	Noise dB	Weight KG
EA40017AAA-23H1C4A	230	50	287	1.26	1.7	1250	53.8	1900	136.7	2.38	8/450	73	5.45
		60											

We reserve the right to change data without notice.