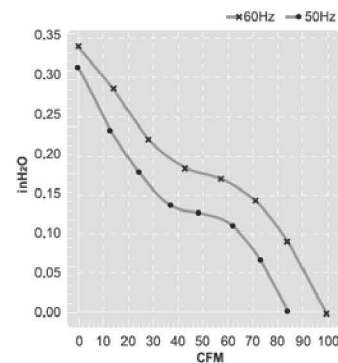
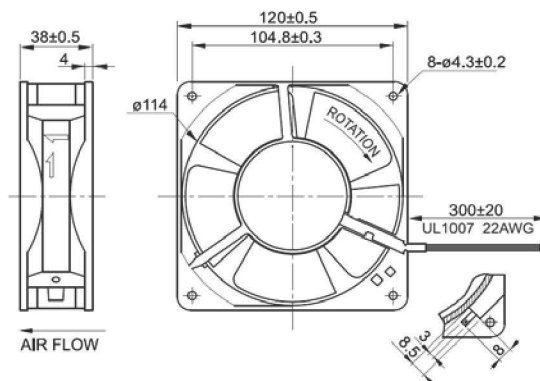


MODEL: EA1238R SERIES

Size : 120 x 120 x 38

Unit : mm

* Reverse Air Flow



Impedance Protection

Terminal or Lead Wire Type



Model Spec	Rated Voltage V	Frequency Hz	Input Power W	Rated Current A	Locked Current A	Speed RPM	Maximum Air Flow m ³ /min	Maximum Air Flow CFM	Maximum Pressure mmH ₂ O	Maximum Pressure InchH ₂ O	Noise dB	Weight KG
EA1238R-11HB	115V	50	13	0.20	0.22	2,700	2.4	85	8.0	0.32	75	0.53
		60	11	0.19	0.20	3,100	2.8	99	8.5	0.33	47	
EA1238R-23HB	230V	50	17	0.10	0.11	2,700	2.4	85	8.0	0.32	45	0.53
		60	15	0.09	0.10	3,100	2.8	99	8.5	0.33	47	
EA1238R-11MB	115V	50	13	0.18	0.20	2,500	2.2	78	6.0	0.24	43	0.53
		60	11	0.17	0.19	2,750	2.4	85	6.5	0.26	45	
EA1238R-23MB	230V	50	17	0.09	0.10	2,500	2.2	78	6.0	0.24	43	0.53
		60	15	0.08	0.09	2,750	2.4	85	6.5	0.26	45	
EA1238R-11LB	115V	50	13	0.16	0.18	2,100	1.9	67	3.8	0.15	36	0.53
		60	11	0.15	0.16	2,300	2.1	75	4.0	0.16	38	
EA1238R-23LB	230V	50	17	0.08	0.09	2,100	1.9	67	3.8	0.15	36	0.53
		60	15	0.07	0.08	2,300	2.1	75	4.0	0.16	38	

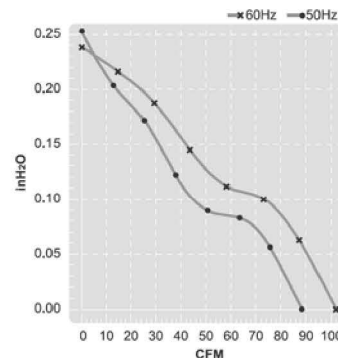
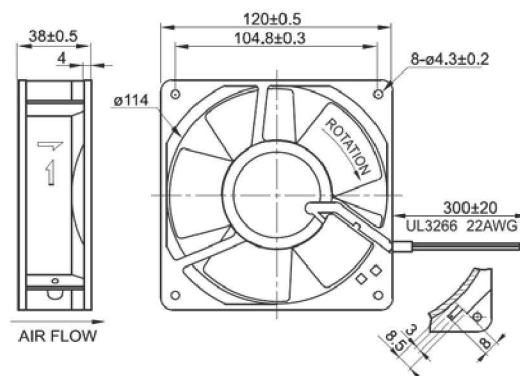
We reserve the right to change data without notice.

MODEL: EA1238M SERIES

Size : 120 x 120 x 38

Unit : mm

* Metal Impeller



Impedance Protection

Terminal or Lead Wire Type



Model Spec	Rated Voltage V	Frequency Hz	Input Power W	Rated Current A	Locked Current A	Speed RPM	Maximum Air Flow m ³ /min	Maximum Air Flow CFM	Maximum Pressure mmH ₂ O	Maximum Pressure InchH ₂ O	Noise dB	Weight KG
EA1238M-11HB	115V	50	15	0.17	0.25	2,700	2.5	89	6.5	0.26	42	0.55
		60	13	0.15	0.22	3,100	2.9	103	6.0	0.24	46	
EA1238M-23HB	230V	50	17	0.10	0.13	2,700	2.5	89	6.5	0.26	42	0.55
		60	15	0.09	0.12	3,100	2.9	103	6.0	0.24	46	

We reserve the right to change data without notice.