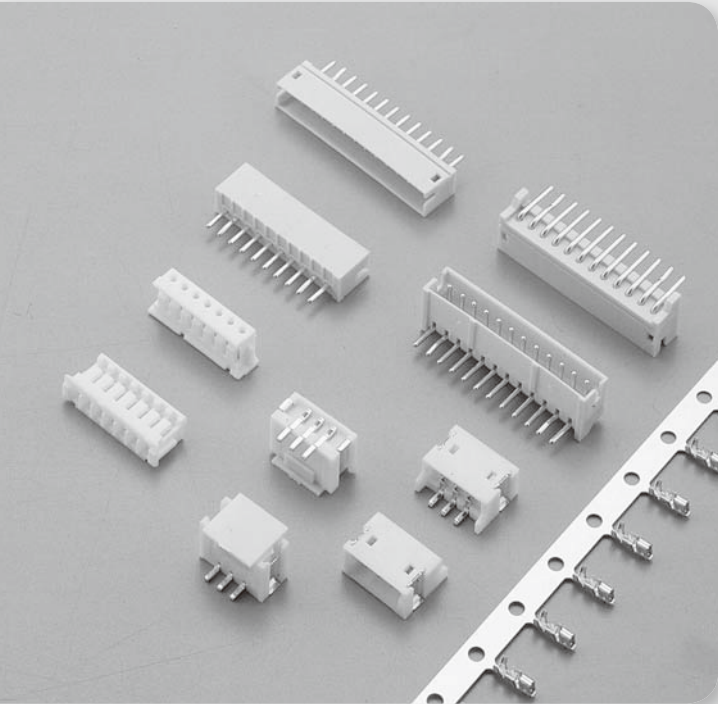


1.50mm (.059") Crimp Style Connectors



Specifications

- Voltage Rating : 50V AC/DC
- Current Rating : 1A AC/DC
- Withstanding Voltage : 500V AC/minute
- Insulation Resistance : 500MΩ min.
- Temperature Range : -25°C to + 85°C
- Contact Resistance : 20mΩ max.

Features:

■ HOUSING

Part No. : JS-1173

Poles : 2 - 15

Material : Nylon 66 UL94V-0 + Glass Fiber

Q'ty : 1,000 pcs/Bag

■ WAFER

Part No. : JS-1174 (DIP Type, Straight)

JS-1174R (DIP Type, Right Angle)

JS-1174V (SMT Type, Straight)

JS-1174H (SMT Type, Right Angle)

Poles : 2 - 13 (DIP Type)

2 - 15 (SMT Type)

Material : Contact : Brass, Tin Plated

Base : Nylon 66 UL94V-0 or

Nylon PA46 UL94V-0

(JS-1174,JS-1174R)

Nylon 9T UL94V-0

(JS-1174H,JS-1174V)

Q'ty : 1,000 pcs./Bag (JS-1174,JS-1174R)

1,000 pcs./Tape & Reel

(JS-1174H,JS-1174V)

■ TERMINAL

Part No. : JS-1173-T

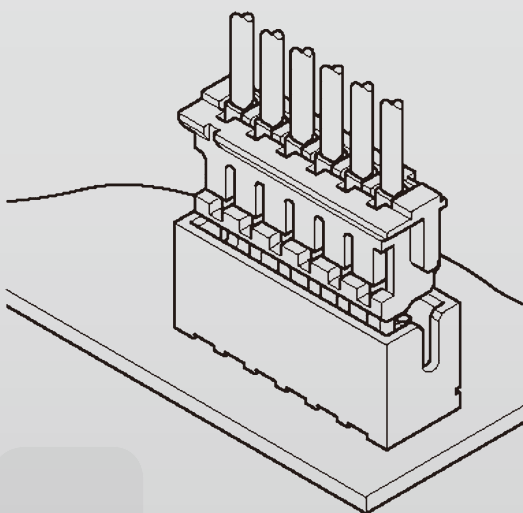
Applicable Wires : AWG# 28-32

Material : Phos. Bronze

Finish : Tin Plated

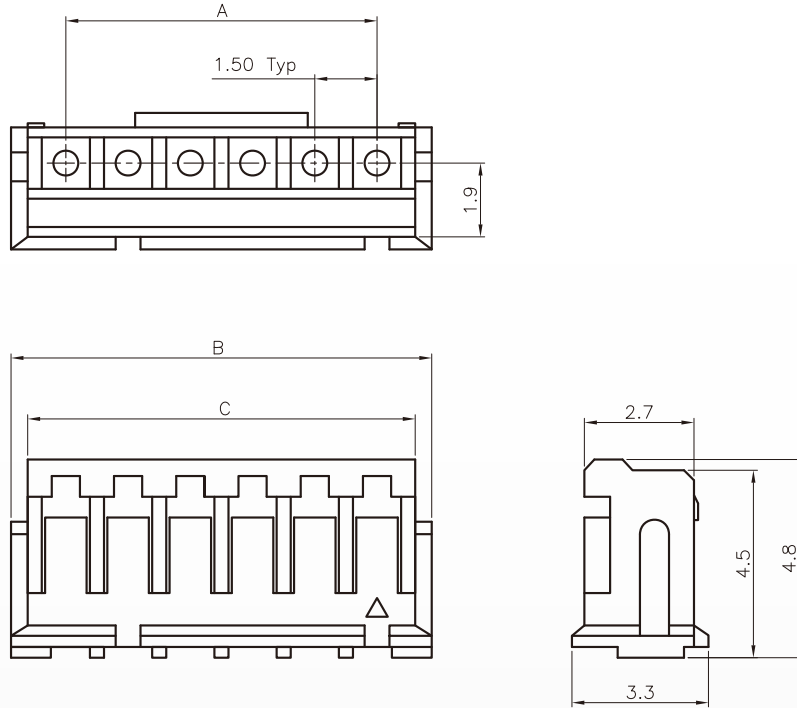
Thickness : 0.20mm

Q'ty : 15,000 pcs/Reel



1.50mm (.059") Crimp Style Connectors

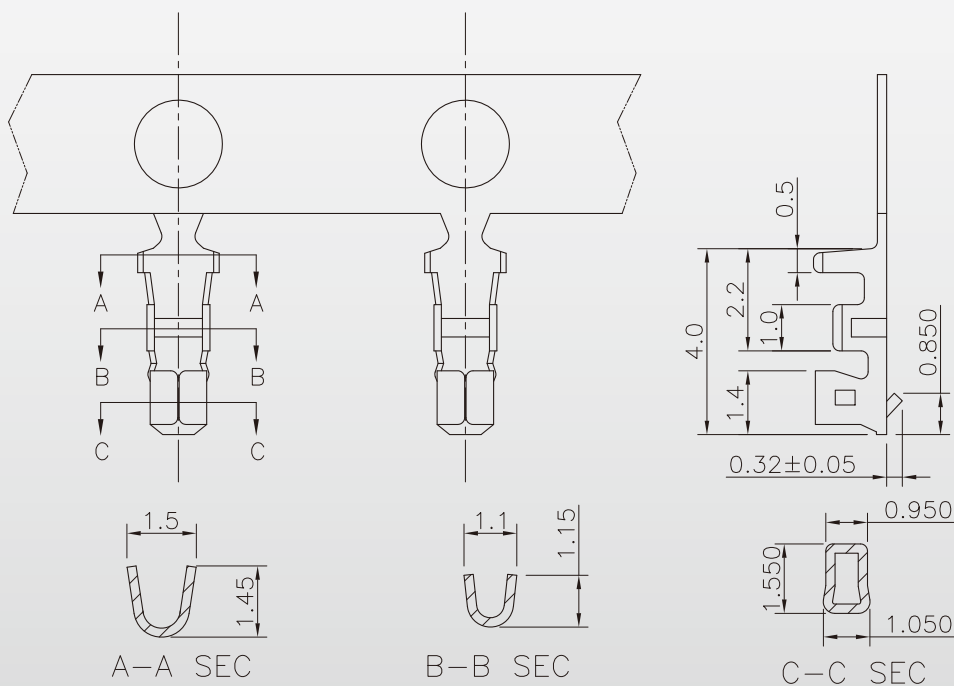
Housing JS-1173



Poles	Part No.	Dimensions (mm)		
		A	B	C
2	JS-1173-02	1.50	4.50	3.40
3	JS-1173-03	3.00	6.00	4.90
4	JS-1173-04	4.50	7.50	6.40
5	JS-1173-05	6.00	9.00	7.90
6	JS-1173-06	7.50	10.50	9.40
7	JS-1173-07	9.00	12.00	10.90
8	JS-1173-08	10.50	13.50	12.40

Poles	Part No.	Dimensions (mm)		
		A	B	C
9	JS-1173-09	12.00	15.00	13.90
10	JS-1173-10	13.50	16.50	15.40
11	JS-1173-11	15.00	18.00	16.90
12	JS-1173-12	16.50	19.50	18.40
13	JS-1173-13	18.00	21.00	19.90
14	JS-1173-14	19.50	22.50	21.40
15	JS-1173-15	21.00	24.00	22.90

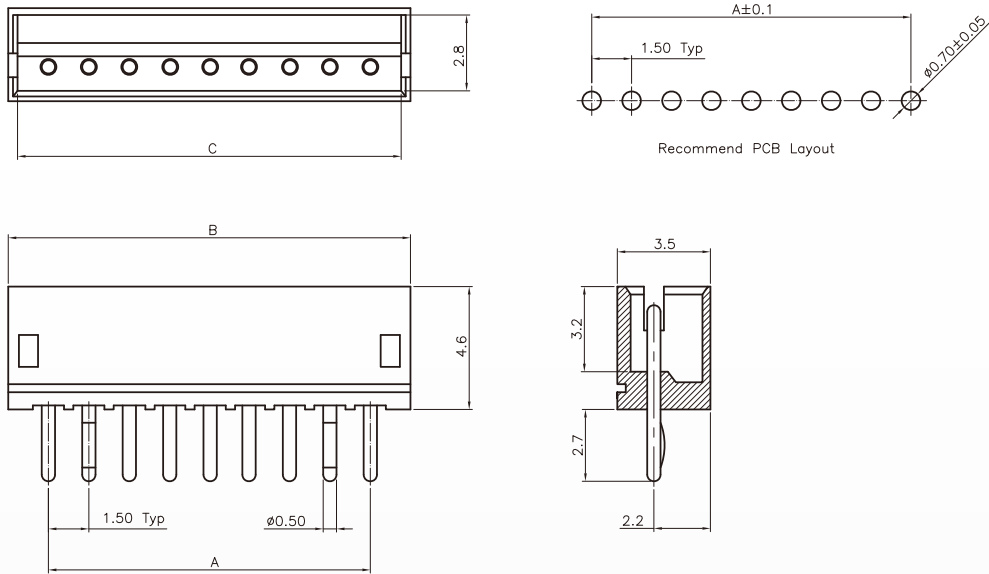
Terminal JS-1173-T



1.50mm (.059") Crimp Style Connectors

Wafer - Straight <DIP Type>

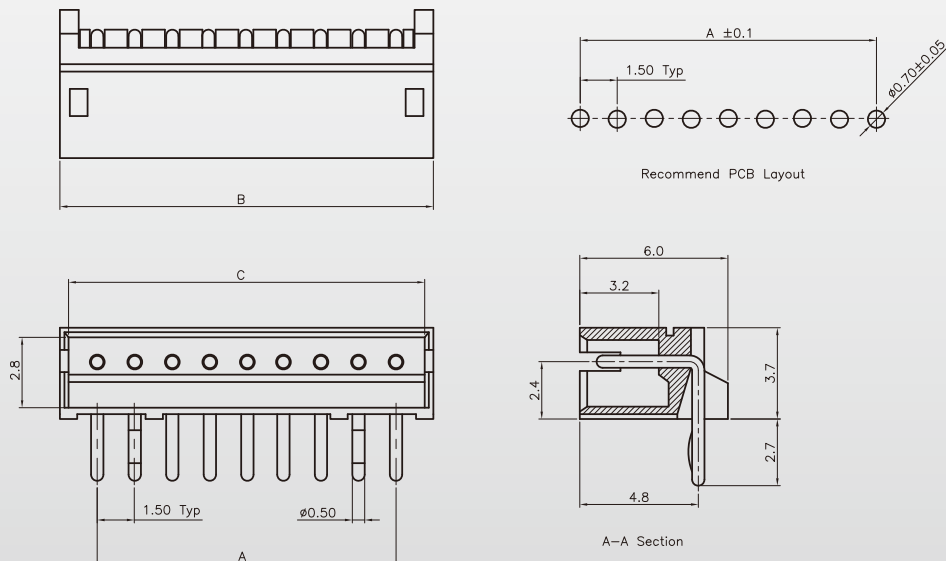
JS-1174



Poles	Part No.		Dimensions (mm)		
	JS-1174	JS-1174R	A	B	C
2	JS-1174-02	JS-1174R-02	1.50	4.50	3.50
3	JS-1174-03	JS-1174R-03	3.00	6.00	5.00
4	JS-1174-04	JS-1174R-04	4.50	7.50	6.50
5	JS-1174-05	JS-1174R-05	6.00	9.00	8.00
6	JS-1174-06	JS-1174R-06	7.50	10.50	9.50
7	JS-1174-07	JS-1174R-07	9.00	12.00	11.00
8	JS-1174-08	JS-1174R-08	10.50	13.50	12.50
9	JS-1174-09	JS-1174R-09	12.00	15.00	14.00
10	JS-1174-10	JS-1174R-10	13.50	16.50	15.50
11	JS-1174-11	JS-1174R-11	15.00	18.00	17.00
12	JS-1174-12	JS-1174R-12	16.50	19.50	18.50
13	JS-1174-13	JS-1174R-13	18.00	21.00	20.00

Wafer - Right Angle <DIP Type>

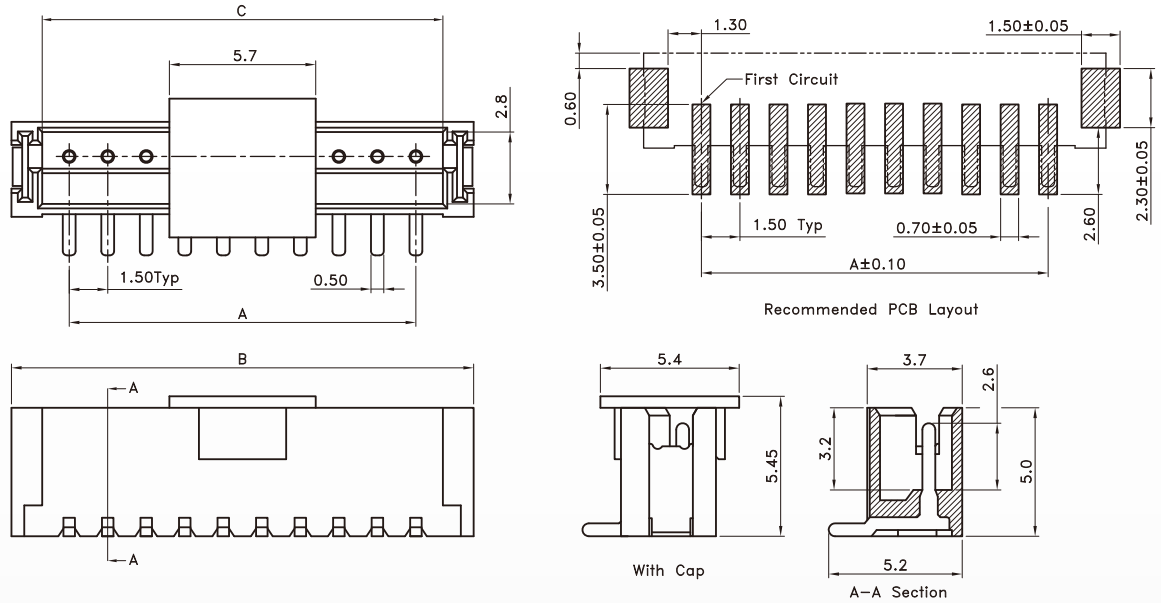
JS-1174R



1.50mm (.059") Crimp Style Connectors

Wafer - Straight <SMT Type>

JS-1174V



Poles	Part No.		Dimensions (mm)		
	JS-1174V	JS-1174H	A	B	C
2	JS-1174V-02	JS-1174H-02	1.50	6.00	3.60
3	JS-1174V-03	JS-1174H-03	3.00	7.50	5.10
4	JS-1174V-04	JS-1174H-04	4.50	9.00	6.60
5	JS-1174V-05	JS-1174H-05	6.00	10.50	8.10
6	JS-1174V-06	JS-1174H-06	7.50	12.00	9.60
7	JS-1174V-07	JS-1174H-07	9.00	13.50	11.10
8	JS-1174V-08	JS-1174H-08	10.50	15.00	12.60
9	JS-1174V-09	JS-1174H-09	12.00	16.50	14.10
10	JS-1174V-10	JS-1174H-10	13.50	18.00	15.60
11	JS-1174V-11	JS-1174H-11	15.00	19.50	17.10
12	JS-1174V-12	JS-1174H-12	16.50	21.00	18.60
13	JS-1174V-13	JS-1174H-13	18.00	22.50	20.10
14	JS-1174V-14	JS-1174H-14	19.50	24.00	21.60
15	JS-1174V-15	JS-1174H-15	21.00	25.50	23.10

Wafer - Right Angle <SMT Type>

JS-1174H

