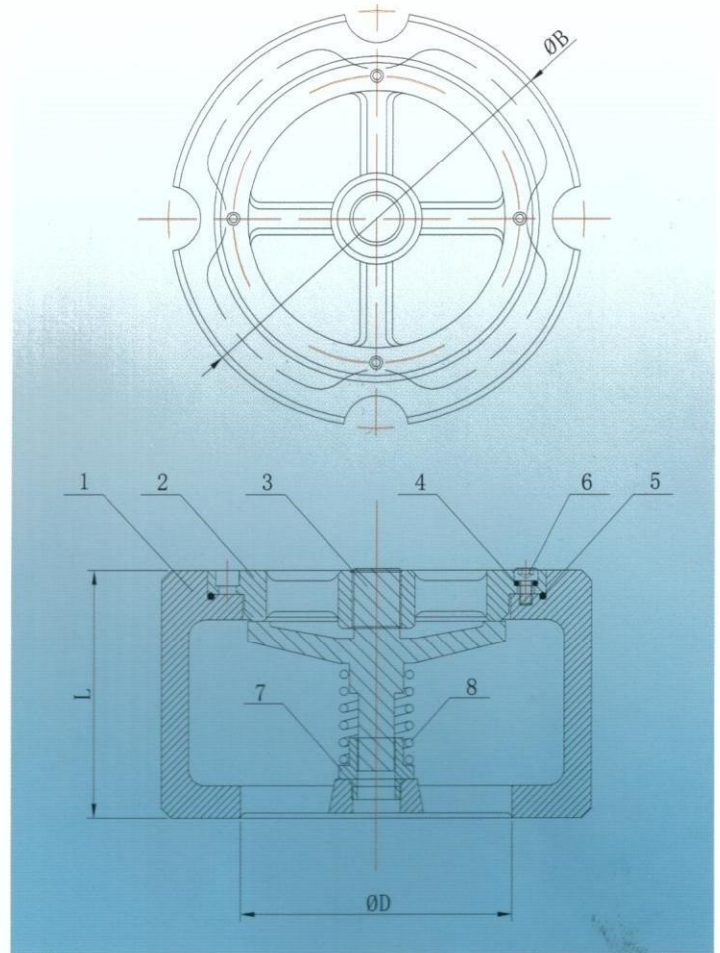


## Wafer Type Silent Check Valve



### Description:

1. Working pressure: 1.0/1.6Mpa
2. Working temperature:  
NBR: 0°C~+80°C  
EPDM: -10°C~+120°C
3. Flange according : ANSI 125/150
4. Face to face: ANSI 125/150
5. Testing: API598
6. Medium: Fresh Water, Sea water, all kinds of oil, acid, alkaline liquid etc.

### Material List:

NO.	Part	Material
1	Body	GG25/GGG40
2	Guide	SS304/316
3	Disc	SS304/316
4	O-Ring	NBR/EPDM
5	Seat ring	NBR/EPDM
6	Bolts	SS304/316
7	Sleeve	SS304/316
8	Spring	SS304/316

### Dimension:

DN(mm)	50	65	80	100	125	150	200	250	300
L (mm)	67	73	79	102	117	140	165	210	286
ΦD(mm)	59	80	84	112	130	164	216	250	300
ΦB (mm)	108	127	146	174	213	248	340	406	482

E-MAIL: [nancygao@public.qd.sd.cn](mailto:nancygao@public.qd.sd.cn)  
[nancygao@bdchina.com](mailto:nancygao@bdchina.com)

TEL: 0086/532/66753307 OR 013953280182  
 FAX: 0086/532/66753309 OR 85791651