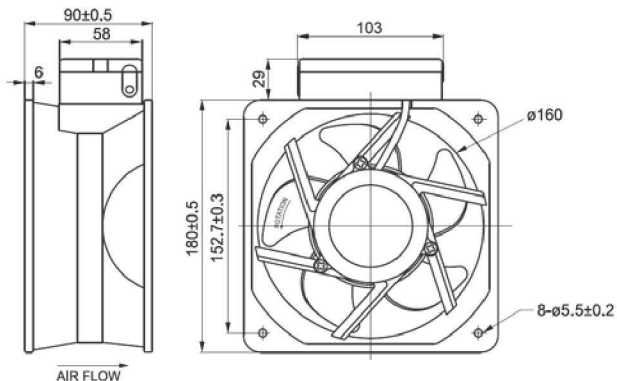


MODEL: EA1890C SERIES

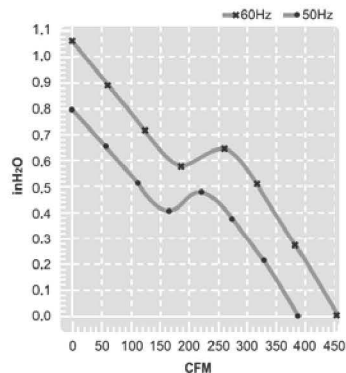
Size : 180 x 180 x 90
Unit : mm



Thermal Protection



Terminal Box



Model Spec	Rated Voltage V	Frequency Hz	Input Power W	Rated Current A	Locked Current A	Speed RPM	Maximum Air Flow m ³ /min	Maximum Air Flow CFM	Maximum Pressure mmH ₂ O	Maximum Pressure InchH ₂ O	Noise dB	Weight KG
EA1890C-11HB	115V	50	78	0.88	2.00	2,850	11.0	390	20.0	0.78	54	2.20
		60	72	0.63	2.01	3,400	13.0	460	27.0	1.06	59	
EA1890C-23HB	230V	50	75	0.42	1.00	2,850	11.0	390	20.0	0.78	54	2.20
		60	72	0.91	1.01	3,400	13.0	460	27.0	1.06	59	

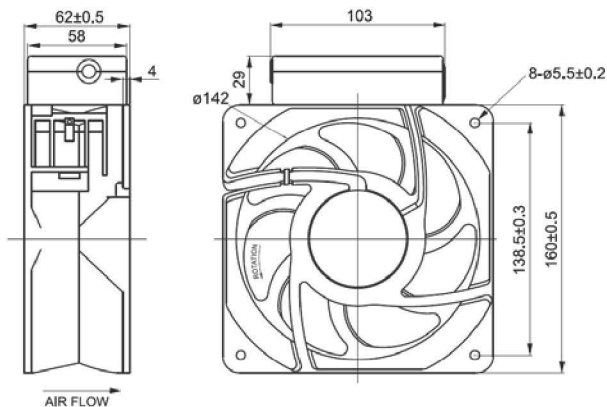
We reserve the right to change data without notice.

MODEL: EA1662C SERIES

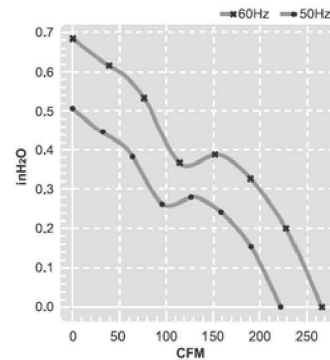
Size : 160 x 160 x 62
Unit : mm



Thermal Protection



Terminal Box



Model Spec	Rated Voltage V	Frequency Hz	Input Power W	Rated Current A	Locked Current A	Speed RPM	Maximum Air Flow m ³ /min	Maximum Air Flow CFM	Maximum Pressure mmH ₂ O	Maximum Pressure InchH ₂ O	Noise dB	Weight KG
EA1662C-11HB	115V	50	46	0.43	0.80	2,850	6.3	222	13.5	0.53	52	1.33
		60	41	0.34	0.79	3,400	7.5	265	18.2	0.72	56	
EA1662C-23HB	230V	50	46	0.22	0.20	2,850	6.3	222	13.5	0.53	52	1.33
		60	41	0.17	0.41	3,400	7.5	265	18.5	0.72	56	

We reserve the right to change data without notice.