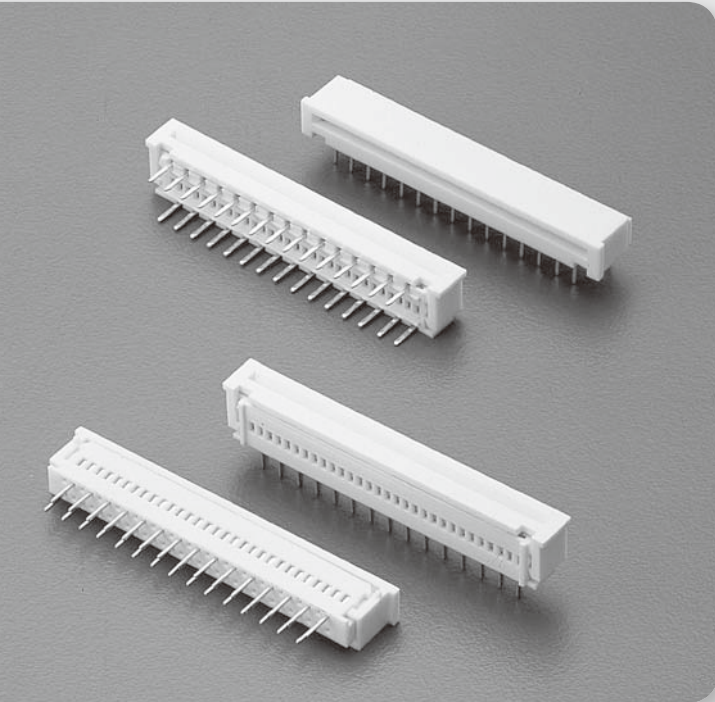


1.25mm (.049") ZIF Type Single Beam Contact Style <DIP>



Specifications

- Voltage Rating : 250V AC/DC
- Current Rating : 1A AC/DC
- Withstanding Voltage : 1000V AC/minute
- Insulation Resistance : 1,000MΩ min.
- Temperature Range : -55°C to + 105°C
- Contact Resistance : 20mΩ max.

Features:

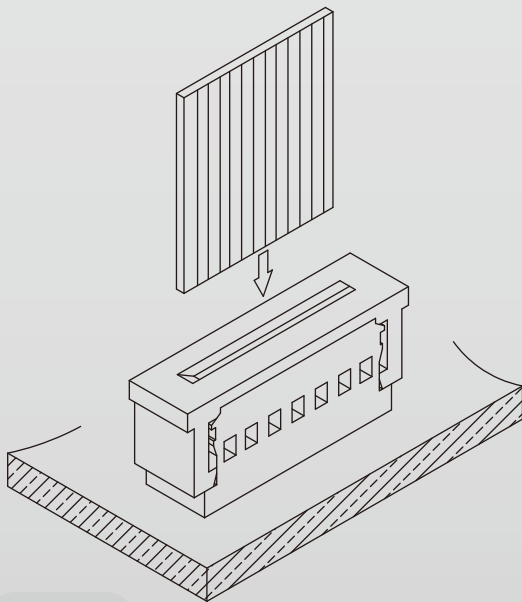
- Part No. : JS-11551-XX (Top Entry)
JS-1155R (Side Entry)

Poles : 4 - 30

Material : Contact : Phos. Bronze, Tin Plated

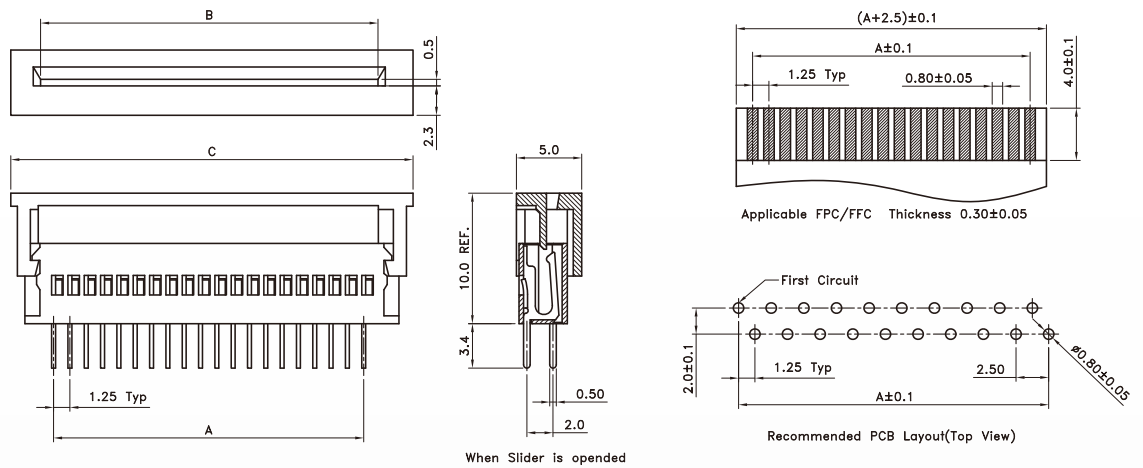
Base : Nylon PA6T UL94V-0

Qt'y : 1,000 pcs/Tube Pack

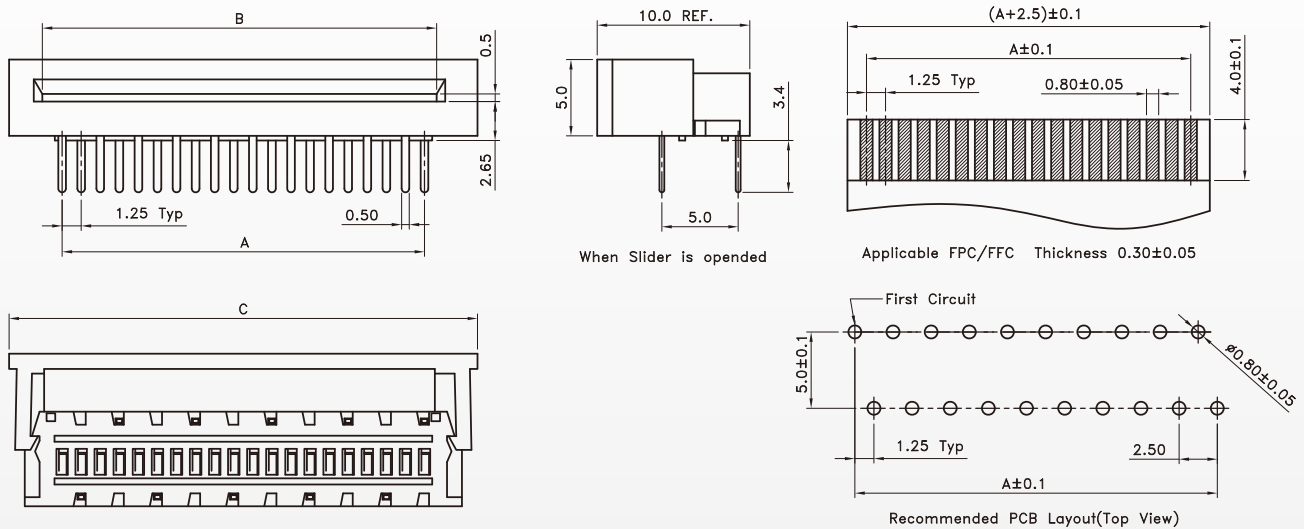


1.25mm (.049") ZIF Type Single Beam Contact Style <DIP>

Top Entry JS-11551



Side Entry JS-1155R



Poles	Part No.		Dimensions (mm)		
	JS-11551	JS-1155R	A	B	C
3	JS-11551-03	JS-1155R-03	2.50	5.32	9.45
4	JS-11551-04	JS-1155R-04	3.75	6.57	10.70
5	JS-11551-05	JS-1155R-05	5.00	7.82	11.95
6	JS-11551-06	JS-1155R-06	6.25	9.07	13.20
7	JS-11551-07	JS-1155R-07	7.50	10.32	14.45
8	JS-11551-08	JS-1155R-08	8.75	11.57	15.70
9	JS-11551-09	JS-1155R-09	10.00	12.82	16.95
10	JS-11551-10	JS-1155R-10	11.25	14.07	18.20
11	JS-11551-11	JS-1155R-11	12.50	15.32	19.45
12	JS-11551-12	JS-1155R-12	13.75	16.57	20.70
13	JS-11551-13	JS-1155R-13	15.00	17.82	21.95
14	JS-11551-14	JS-1155R-14	16.25	19.07	23.20
15	JS-11551-15	JS-1155R-15	17.50	20.32	24.45
16	JS-11551-16	JS-1155R-16	18.75	21.57	25.70
17	JS-11551-17	JS-1155R-17	20.00	22.82	26.95
18	JS-11551-18	JS-1155R-18	21.25	24.07	28.20
19	JS-11551-19	JS-1155R-19	22.50	25.32	29.45
21	JS-11551-21	JS-1155R-21	25.00	27.82	31.95
22	JS-11551-22	JS-1155R-22	26.25	29.07	33.20

Poles	Part No.		Dimensions (mm)		
	JS-11551	JS-1155R	A	B	C
23	JS-11551-23	JS-1155R-23	27.50	30.32	34.45
24	JS-11551-24	JS-1155R-24	28.75	31.57	35.70
25	JS-11551-25	JS-1155R-25	30.00	32.82	36.95
26	JS-11551-26	JS-1155R-26	31.25	34.07	38.20
27	JS-11551-27	JS-1155R-27	32.50	35.32	39.45
28	JS-11551-28	JS-1155R-28	33.75	36.57	40.70
29	JS-11551-29	JS-1155R-29	35.00	37.82	41.95
30	JS-11551-30	JS-1155R-30	36.25	39.07	43.20
31	JS-11551-31	JS-1155R-31	37.50	40.32	44.45
32	JS-11551-32	JS-1155R-32	38.75	41.57	45.70
33	JS-11551-33	JS-1155R-33	40.00	42.82	46.95
34	JS-11551-34	JS-1155R-34	41.25	44.07	48.20
35	JS-11551-35	JS-1155R-35	42.50	45.32	49.45
36	JS-11551-36	JS-1155R-36	43.75	46.57	50.70
37	JS-11551-37	JS-1155R-37	45.00	47.82	51.95
38	JS-11551-38	JS-1155R-38	46.25	49.07	53.20
39	JS-11551-39	JS-1155R-39	47.50	50.32	54.45
40	JS-11551-40	JS-1155R-40	48.75	51.57	55.70