

F C A O 6 5

S E R I E S



45 ~ 65 Watts Single Output AC-DC Battery Charger DeskTop Type

FEATURES

- ◆ Universal AC input
- ◆ Protection: Short circuit / OLP / OVP / OCP / BackFeed (BFP)
- ◆ Dual color LED loading indicator
- ◆ Class I (with earth pin) or Class II design
- ◆ Constant voltage + constant current design
- ◆ Suitable for Li-ion / NiMH / Lead-Acid Battery
- ◆ Green Adaptor design, no load power consumption < 1W



SPECIFICATIONS

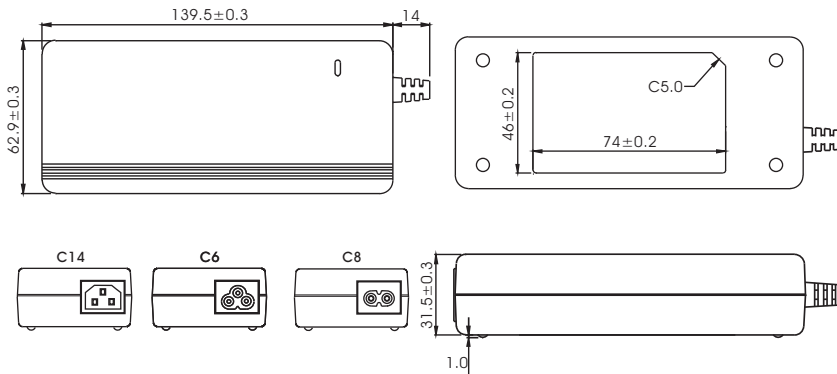
Input Voltage.....90~264VAC
 Inrush Current20A@115VAC; 35A@230VAC
 Output voltage Anywhere output 10~56VDC
 Workable O/P Voltage Range.....100~65% min. of rated Vout
 Overload protection.....constant current limiting, auto-recovery
 Dielectric Withstand Class I: I/P-O/P: 4242 VDC;
I/P-F.G: 2121 VDC; O/P-F.G: 500 VDC
 Class II: I/P-O/P: 4242VDC
 Leakage Current.....Class I: 0.75mA max. or Class II: 0.25mA max.
 Turn On, Rise, Hold up time..... ≤ 4 Sec.,100mS,10mS at 110VAC
 Operating Temperature -10°C to +40°C
 Storage Temperature -20°C to +85°C
 ProtectionsShort Circuit, OVP, OCP, OLP, Backfeed
 Safety Standard meets.....UL60950-1; EN60950-1
 EMC Standard..... EN55022 ClassB, EN61000-3-2,3,
 EN61000-4-2, 3, 4, 5, 6, 8, 11
 Standard Output Connector.....DC Barrel Jack
 Standard Output Cable/Length.....UL1185 / 1.2M

Model Number	Output Voltage (VDC)	Output Current (A)	Workable Voltage Range (VDC)	EFF %	Output Max. Watts
FCA065-S12-x	10~14.5	5.00~4.13	65~100% of Von*	81	60W
FCA065-S15-x	14.5~21	4.34~3.00	65~100% of Von	84	63W
FCA065-S24-x	21~29	3.09~2.24	65~100% of Von	85	65W
FCA065-S36-x	29~41	2.24~1.58	65~100% of Von	86	65W
FCA065-S48-x	41~56	1.58~1.16	65~100% of Von	86	65W

Remark: x = AC Inlet Type Code
 x = 4, IEC 320 C14
 x = 6, IEC 320 C6
 x = 8, IEC 320 C8

Battery Charger

MECHANICAL DRAWING (Unit: mm)



CHARGING CURVE

