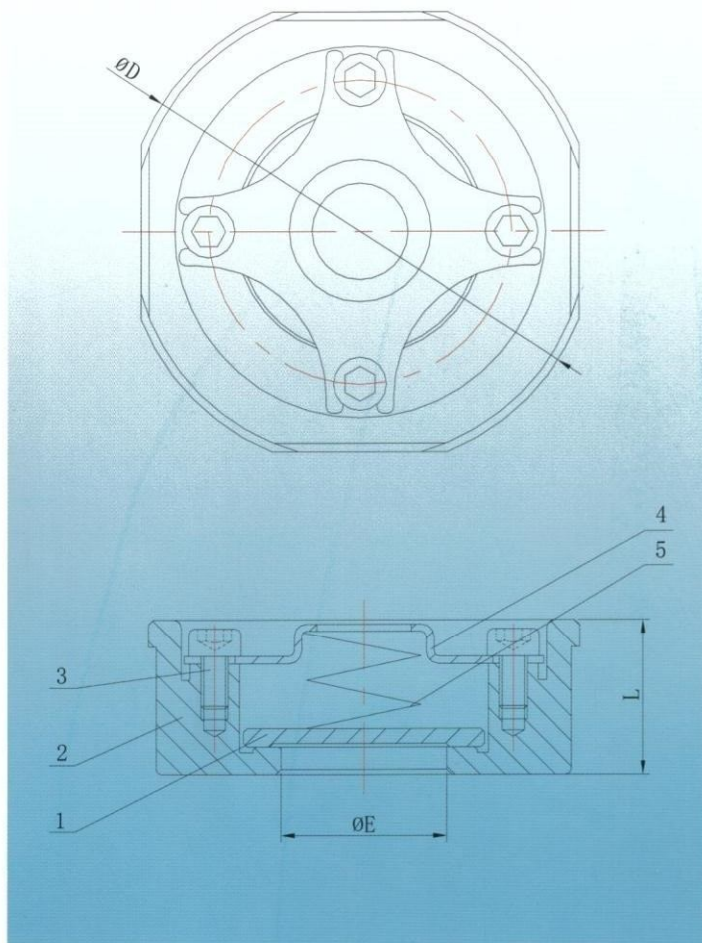


Wafer Type Lift Check Valve



Description:

1. Working pressure: 4.0Mpa
2. Working temperature: -100°C ~ 400°C
3. Face to face: DIN3202 K4
4. Flange standards: EN1092-2 etc
5. Testing: DIN3230, API598
6. Medium: Fresh Water, Sea water, food stuff, all kinds of oil, acid, alkaline liquid etc.

Material List:

NO.	Part	Material
1	Disc	SS316/SS304
2	Body	SS316/304/Brass
3	Bolts	SS316
4	Spring cover	SS316
5	Spring	SS316

Dimension:

DN(mm)	15	20	25	32	40	50	65	80	100
ΦD(mm)	53	63	73	84	94	107	126	144	164
ΦE(mm)	15	20	25	30	38	47	62	77	95
L(mm)	16	19	22	28	31.5	40	46	50	60

E-MAIL: nancygao@public.qd.sd.cn
nancygao@bdchina.com

TEL: 0086/532/66753307 OR 013953280182
 FAX: 0086/532/66753309 OR 85791651