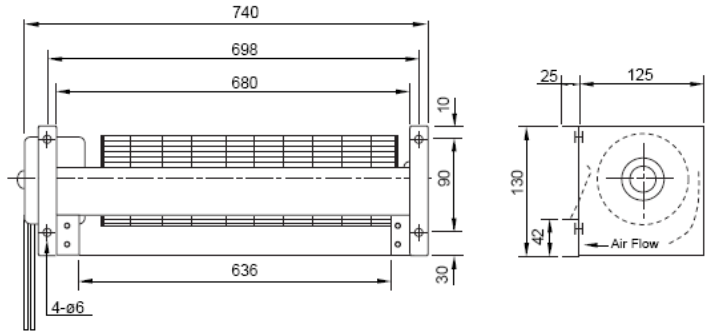
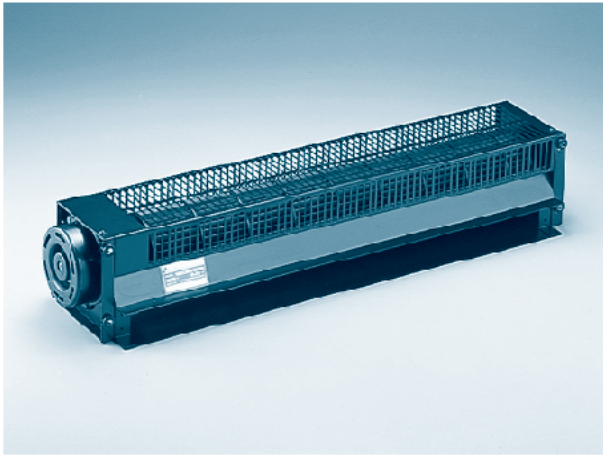


MODEL: ECA9060C SERIES

Size : 740 x 150 x 130
Unit : mm



Model Spec	Rated Voltage V	Frequency Hz	Input Power W	Rated Current A	Locked Current A	Speed RPM	Maximum Air Flow m ³ / min	Maximum Air Flow CFM	Maximum Pressure mmH ₂ O	Maximum Pressure InchH ₂ O	Noise dB	Weight KG
ECA9060C-12HBL	115V	50	130	1.00	1.40	2,150	15.5	550	9.0	0.35	55	5.30
		60	160	1.25	1.40	2,100	15.0	530	11.0	0.43	54	
ECA9060C-23HBL	230V	50	130	0.50	0.75	2,150	15.5	550	9.0	0.35	55	5.30
		60	160	0.70	0.75	2,100	15.0	530	11.0	0.43	54	

We reserve the right to change data without notice.