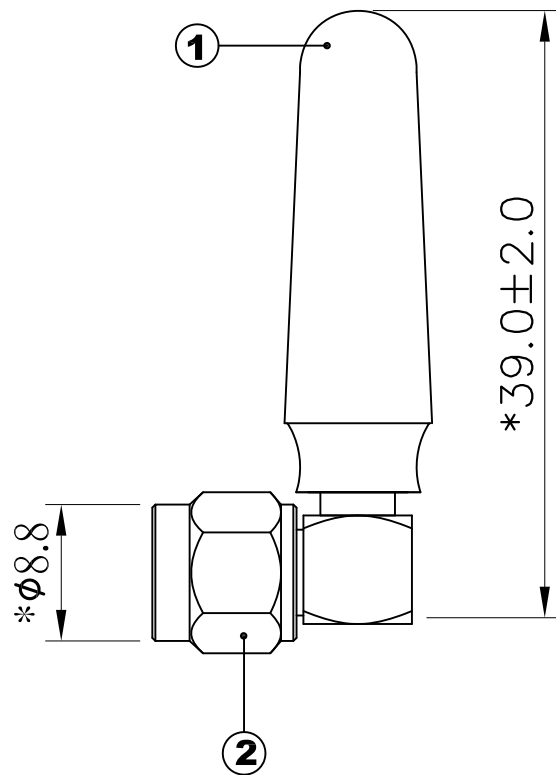


RoHS

Compatible



SIGN	DATE	DESCRIPTION	APPROVER
△			
△			
△			



NO.	Part Nubmer	Description	Material	Finished	Q'ty
2	SMA111-CG9MNANT	SMA90°Male	Cu	Au Plated	1
1	R-AN33-101	Body	PC+ABS	Black	1

Invax System Group.		Cortec		Cortec Technology Inc.	
		Http://www.invaxsystem.com		Tel.:886-2-27885218	
		E-mail:info@invax.com.tw		Fax:886-2-27831658	
TITLE: 868MHz Antenna					
PART NO.: AN0868-3301RASM			CUSTOMER P/N: /		
APP BY	CHK BY	RF BY	DES BY		Tolerance
Grant	Jack		朱水华	UNITS: mm	X.X ±0.2
2012/08/20	2012/08/20		2012/08/20	SCALE: 2/1	X.XX ±0.1
				REVISION: A	X° ±1