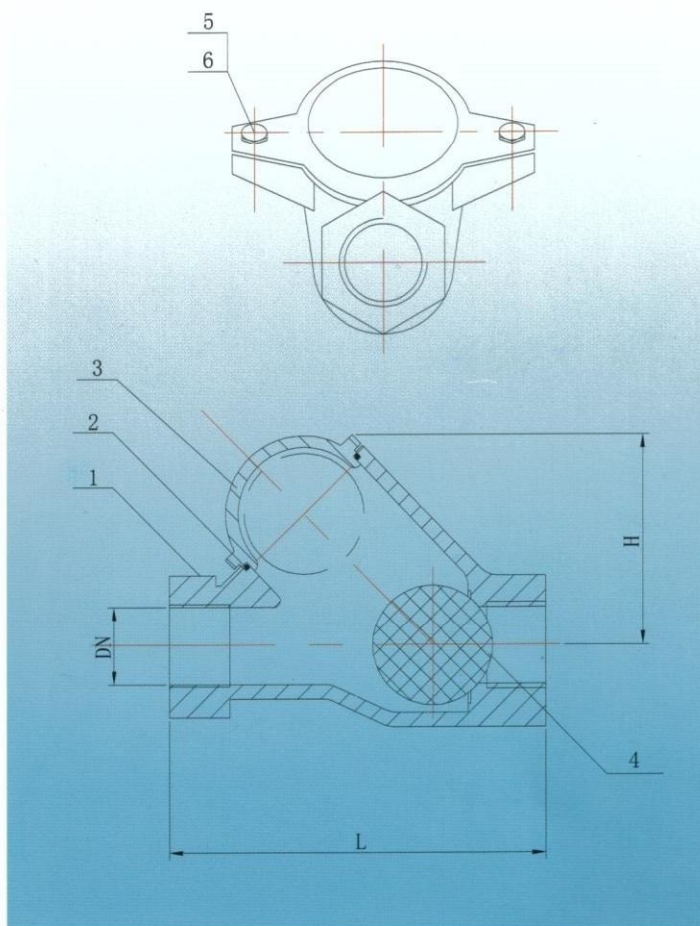


## Threaded Ball Valve



### Description:

1. Working pressure: 1.0/1.6Mpa
2. Working temperature:  
NBR: 0°C~+80°C  
EPDM: -10°C~+120°C
3. Connection type: BSP or BSPT
4. Testing: DIN3230, API598
5. Medium: Fresh Water, Sea water, food stuff,  
all kinds of oil etc.

### Material List:

NO.	Part	Material
1	Body	GG25/GGG40
2	Gasket	NBR/EPDM
3	Cap	GG25/GGG40
4	Ball	NBR/EPDM
5	Bolt	Stainless steel
6	Nut	Stainless steel

### Dimension:

DN(mm)	25	32	40	50	65	80
L(mm)	125	132	145	174	200	243
H(mm)	75	75	85	126	113	165