



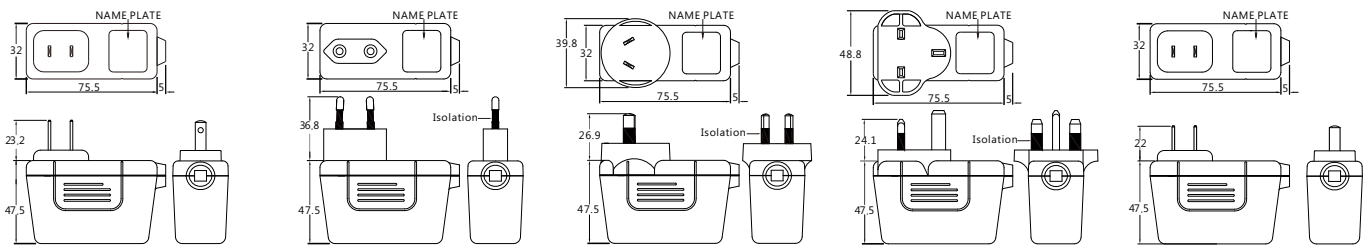
FIG 1: American

FIG 2: European

FIG 3: 2pin Australian

FIG 4: British

FIG 5: Chinese



■ Safety agency approvals:



■ Specifications:

Model No.	GMPU60
AC input range	100~240VAC; 47~63Hz; 1.5~0.8A
Leakage current	0.1mA Max.@ 240VAC/50Hz
Operating temperature	-20°C to ~+70°C(safety approval 0°C to 40°C, >40°C please contact the sales request derating curve.)
Withstand voltage	5656VDC from input to output
EMC	(A)CE:EN60601-1-2 (B)FCC Part 15 / Part 18 Subpart B
Safety	(A)UL/cUL (B)TUV/GS (C) TUV/PSE (D)CB
Warranty	2 years

■ X = U: (American type FIG 1) or E: (European type FIG 2) or SA: (2pin Australian type FIG 3) or BS: (British Type FIG 4) or CH: (Chinese Type FIG 5)

Model name	Output Voltage(VDC)	Output Current(A)	Max.Output power(W)	Ripple.(mV) max.	Line Regulation(%)	Load Regulation(%)	Avg.Eff.(%) DoE(VI)_CoC(5)	No load Power Consumption(W)	Measured at the output of
GMPU60X-1	5~6	6.00~5.00	30	120	±1	±5	>85.07	<0.1	5
GMPU60X-1-1	6~8	6.00~5.63	45.04	120	±1	±5	>87.73	<0.1	7.5
GMPU60X-2	8~11	5.63~5.00	55	120	±1	±5	>88	<0.21	9
GMPU60X-3	11~13	5.00~4.62	60	100	±1	±3	>88	<0.21	12
GMPU60X-4	13~16	4.62~3.75	60	150	±1	±3	>88	<0.21	15
GMPU60X-5	16~21	3.75~2.86	60.06	150	±1	±2	>88	<0.21	18
GMPU60X-6	21~27	2.86~2.23	60.21	150	±1	±2	>88	<0.21	24
GMPU60X-7	27~33	2.23~1.82	60.06	150	±1	±2	>88	<0.21	28
GMPU60X-8	33~58	1.82~1.04	60.32	250	±1	±2	>88	<0.21	48

Note:

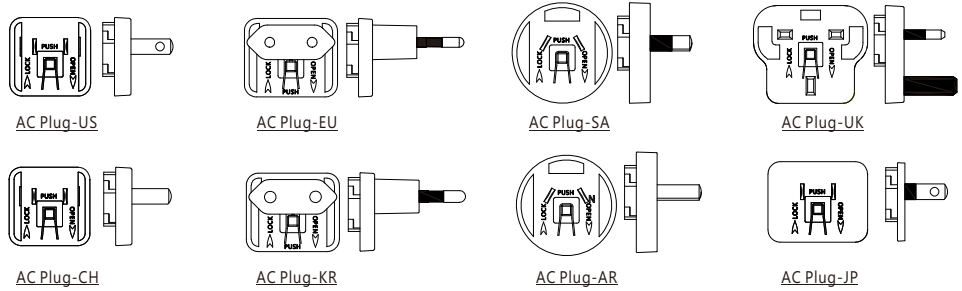
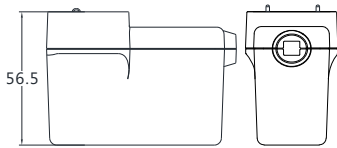
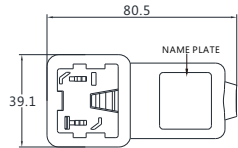
1.Weight: Approx 180~200gs

2.Optional output connectors (See appendix A)

3.Avg. Eff.(%): Averages the efficiency at 25, 50, 75, and 100 % of max. rated output current.

4.Standard Output cable: **5~21V**: UL2468, 16AWG, 1M; **21~48V**: UL2468, 18AWG, 5FT

GMPU60 60W Wall mount interchangeable series DoE(VI)&EU ErP/CoC(5)



■Safety agency approvals:



■Specifications:

Model No.	GMPU60
AC input range	100~240VAC; 47~63Hz; 1.5~0.8A
Leakage current	0.1mA Max.@ 240VAC/50Hz
Operating temperature	-20°C to ~+70°C(safety approval 0°C to 40°C, >40°C please contact the sales request derating curve.)
Withstand voltage	5656VDC from input to output
EMC	(A)CE:EN60601-1-2 (B)FCC Part 15 / Part 18 Subpart B
Safety	(A)UL/cUL (B)TUV/GS (C) TUV/PSE (D)CB
Warranty	2 years

■ **X= UI:** (American type_FIG 1) or **EI:** (European type_FIG 2) or **SAI:** (2pin Australian type_FIG3) or **BSI:** (British type_FIG 4) or **CHI:** (Chinese type_FIG 5) or **KRI:** (Korean type_FIG 6) or **ARI:** (Argentinian type_FIG 7) or or **JPI:** (Japanese type_FIG 8)

Model name	Output Voltage(VDC)	Output Current(A)	Max.Output power(W)	Ripple.(mV) max.	Line Regulation(%)	Load Regulation(%)	Avg.Eff.(%) DoE(VI)_CoC(5)	No load Power Consumption(W)	Measured at the output of
GMPU60X-1	5~6	6.00~5.00	30	120	±1	±5	>85.07	<0.1	5
GMPU60X-1-1	6~8	6.00~5.63	45.04	120	±1	±5	>87.73	<0.1	7.5
GMPU60X-2	8~11	5.63~5.00	55	120	±1	±5	>88	<0.21	9
GMPU60X-3	11~13	5.00~4.62	60	100	±1	±3	>88	<0.21	12
GMPU60X-4	13~16	4.62~3.75	60	150	±1	±3	>88	<0.21	15
GMPU60X-5	16~21	3.75~2.86	60.06	150	±1	±2	>88	<0.21	18
GMPU60X-6	21~27	2.86~2.23	60.21	150	±1	±2	>88	<0.21	24
GMPU60X-7	27~33	2.23~1.82	60.06	150	±1	±2	>88	<0.21	28
GMPU60X-8	33~58	1.82~1.04	60.32	250	±1	±2	>88	<0.21	48

Note:

- 1.Weight: Approx 180~200gs
- 2.Optional output connectors (See appendix A)
- 3.Avg. Eff.(%): Averages the efficiency at 25, 50, 75, and 100 % of max. rated output current.
- 4.Standard Output cable: **5~21V:** UL2468, 16AWG, 1M; **21~48V:** UL2468, 18AWG, 5FT



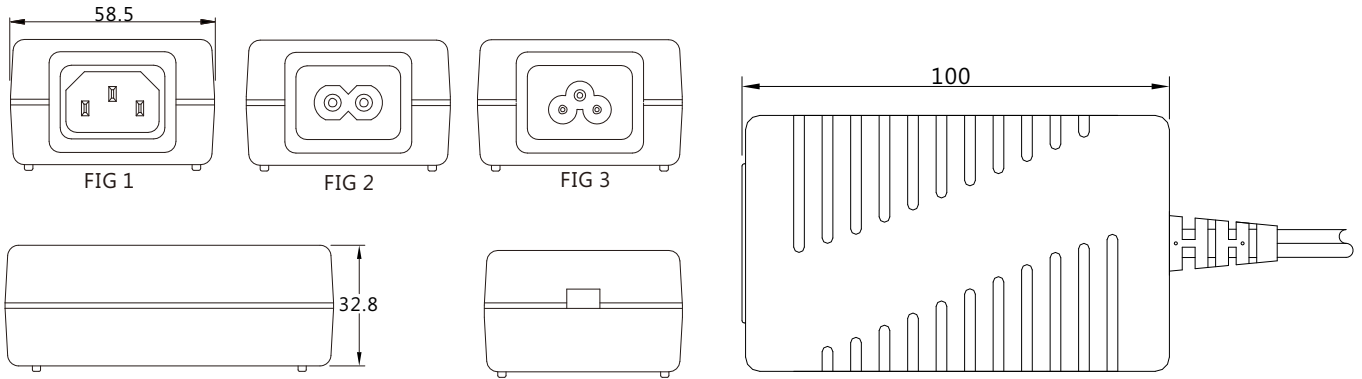
FIG 1: IEC-320-C14



FIG 2: IEC-320-C8



FIG 3: IEC-320-C6



■ Safety agency approvals:



■ Specifications:

Model No.	GMPU60
AC input range	100~240VAC; 47~63Hz; 1.5~0.8A
Leakage current	0.1mA Max.@ 240VAC/50Hz
Operating temperature	-20°C to ~+70°C(safety approval 0°C to 40°C, >40°C please contact the sales request derating curve.)
Withstand voltage	5656VDC from input to output
EMC	(A)CE:EN60601-1-2 (B)FCC Part 15 / Part 18 Subpart B
Safety	(A)UL/cUL (B)TUV/GS (C) TUV/PSE (D)CB
Warranty	2 years

■ X = A: (IEC-320-C14_FIG 1) or B: (IEC-320-C8_FIG 2) or C: (IEC-320-C6_FIG 3)

Model name	Output Voltage(VDC)	Output Current(A)	Max.Output power(W)	Ripple.(mV) max.	Line Regulation(%)	Load Regulation(%)	Avg.Eff.(%) DoE(VI)_CoC(5)	No load Power Consumption(W)	Measured at the output of
GMPU60X-1	5~6	6.00~5.00	30	120	±1	±5	>85.07	<0.1	5
GMPU60X-1-1	6~8	6.00~5.63	45.04	120	±1	±5	>87.73	<0.1	7.5
GMPU60X-2	8~11	5.63~5.00	55	120	±1	±5	>88	<0.21	9
GMPU60X-3	11~13	5.00~4.62	60	100	±1	±3	>88	<0.21	12
GMPU60X-4	13~16	4.62~3.75	60	150	±1	±3	>88	<0.21	15
GMPU60X-5	16~21	3.75~2.86	60.06	150	±1	±2	>88	<0.21	18
GMPU60X-6	21~27	2.86~2.23	60.21	150	±1	±2	>88	<0.21	24
GMPU60X-7	27~33	2.23~1.82	60.06	150	±1	±2	>88	<0.21	28
GMPU60X-8	33~58	1.82~1.04	60.32	250	±1	±2	>88	<0.21	48

Note:

- 1.Weight: Approx 210~230gs
- 2.Optional output connectors (See appendix A)
- 3.Avg. Eff.(%): Averages the efficiency at 25, 50, 75, and 100 % of max. rated output current.
- 4.Standard Output cable: **5~21V**: UL2468, 16AWG, 1M; **21~48V**: UL2468, 18AWG, 5FT