

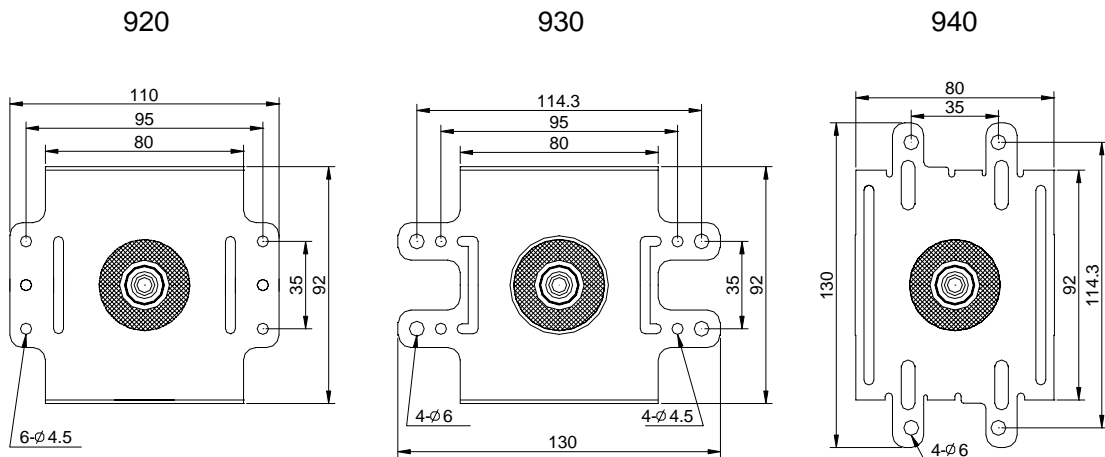
2M219 SERIES

1. ELECTRICAL CHARACTERISTICS

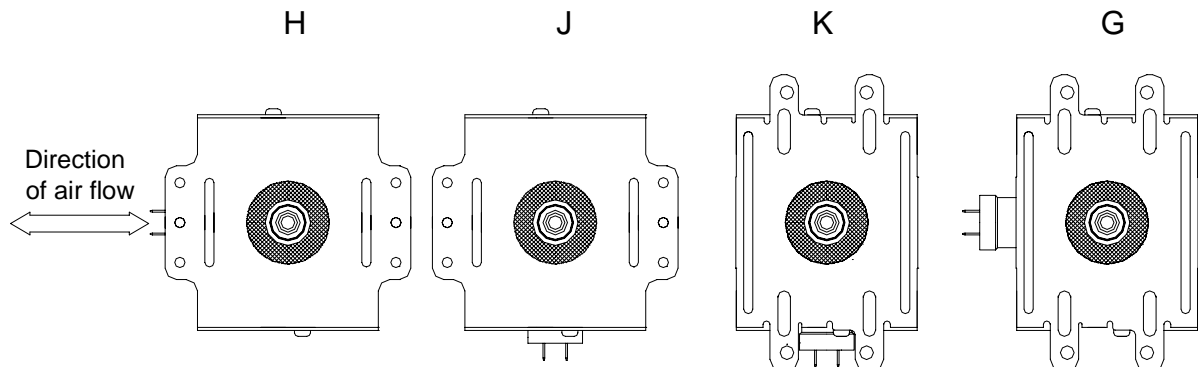
Peak anode voltage (ebm)	4.2kV
Average anode current (Ib)	300mAdc
Average output power (Po)	945W
Frequency (fo)	2458MHz
Filament voltage(Ef)	3.3V
Weight	810g
Typical oven power by IEC method	700~900W



2. VARIATION OF MOUNTING YOKE FOR FITTING INTO MICROWAVE OVEN

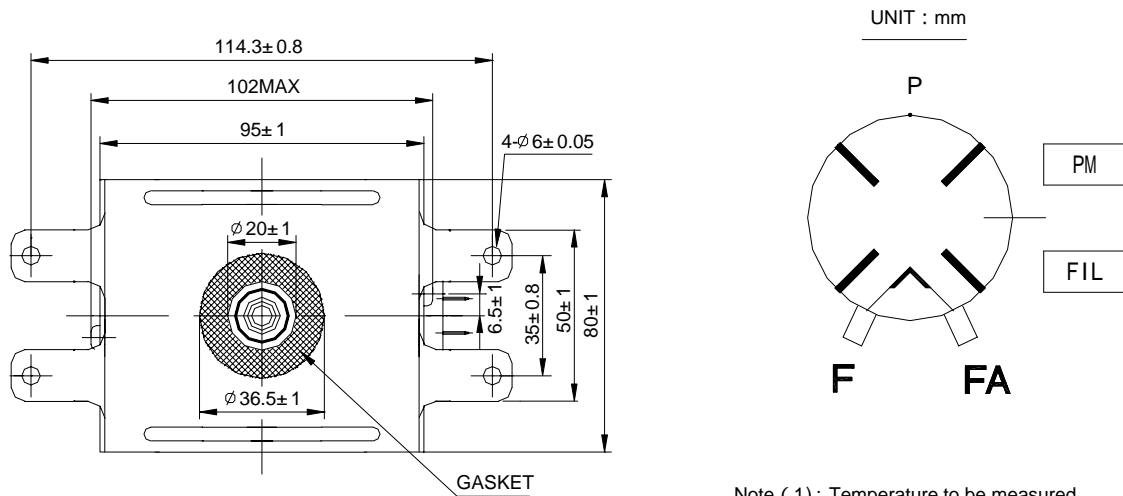


3. OPTIONS(Mounting plate and direction of filament terminal)



2M219 SERIES

DIMENSIONAL OUTLINE



Note (1) : Temperature to be measured at the outlet side of airflow

