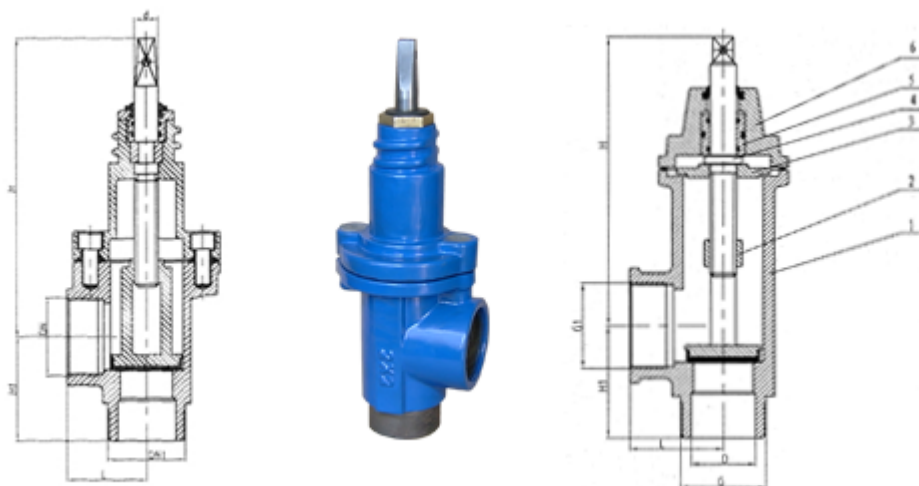


Resilient Seated Gate Valve Screwed Ends



DESCRIPTION

- 1.Design confirms to: DIN3352 Part 4
- 2.Face to Face confirms to: DIN3202
- 3.Threaded Joint connection:ISO 228 female threaded
- 4.Test&Inspection: DIN3230
- 5.Suitable medium: water
- 6.Working temperature: NBR≤80℃, EPDM≤120℃
- 7.Operator: handwheel, nut, extension stem

MATERIAL LIST

No.	PART	MATERIAL
1	BODY	GGG40/GGG50
2	GATE	BRASS/EPDM
3	CORE	BRASS
4	STEM	2Cr13/420/304
5	SEAL NUT	BRASS
6	COVER	GGG40/GGG50

DEMENSION

GXG1	H	H1	D	L
1"X 1"	170	65	25.4	47
1 1/4X 1"	185	65	32	47
1 1/4"X1 1/4"	185	65	32	60
1 1/2"X1 1/2"	198	77	36	60
2"X1 1/2"	198	77	41	64
2"X 2"	198	77	41	64