

NQ12

Resettable Type Smoke Detector

Characteristics

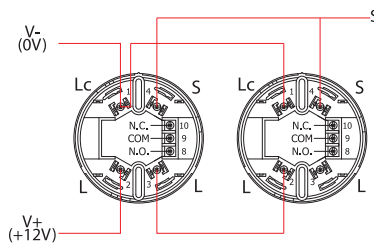
- Used widely in fire alarm systems or security systems.
- High accuracy IR diode sensor to detect the ambient smoke level more effectively.
- Several power regulators on PCB to stabilize the operation of detectors.
- New design on minified chamber makes so easy for maintenance.

Approvals: 

Wiring Diagram

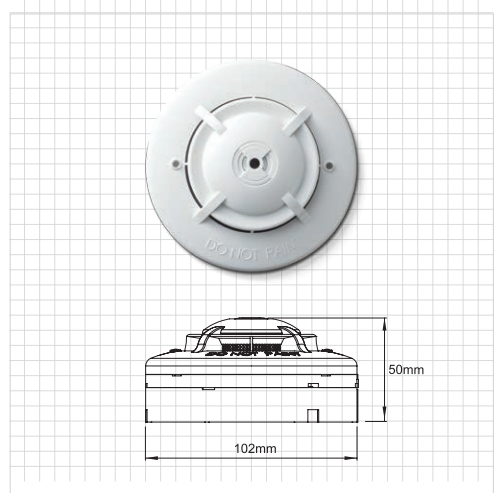
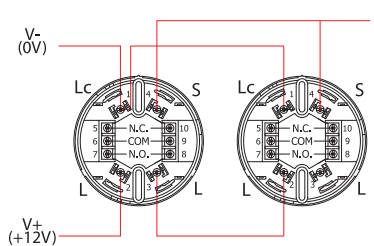
NQ12S / NQ12BS

Relay output :
Contact Ratings
0.8A@30VDC
0.4A@125VAC
(Refer to Security System Application)



NQ12BPS

Alarm output :
Normal Status : 8 & 9 open circuit
9 & 10 short circuit
Alarm Status : 8 & 9 short circuit
9 & 10 open circuit
Disconnection or Power-off Warning :
Normal Status : 5 & 6 open circuit
6 & 7 short circuit
Fault Status : 5 & 6 short circuit
6 & 7 open circuit



Specifications

Model	NQ12S	NQ12BS	NQ12BPS
Voltage Range	12V DC		
Standby Current	20uA (pulsing current under 450 uA)		15mA
Alarm Current @12V DC	15mA	20mA	30mA
Sensitivity Setting	Comply to UL 268		
Sound	85dB/3M		
Ambient Temperature	-10°C ~ +55°C		
Material	Fire-proof plastic		
Dimensions	102mm(Dia.) x 50mm(H)		
Color	White		
Weight	135g	140g	155g

Order information

NQ12S	+ Relay Output
NQ12BS	+ Buzzer + Relay Output
NQ12BPS	+ Buzzer + Power off & Wire Disconnection Warning + Relay Output