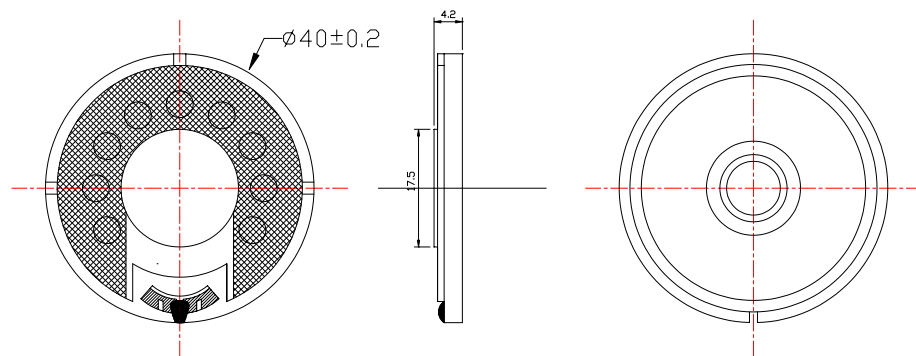


XIAMEN HONCH INDUSTRIAL SUPPLIERS CO LTD

Tel: +86-592-5020537 Fax: +86-592-5020137 <http://www.honch-ind.com> rogeryu@honch-ind.com

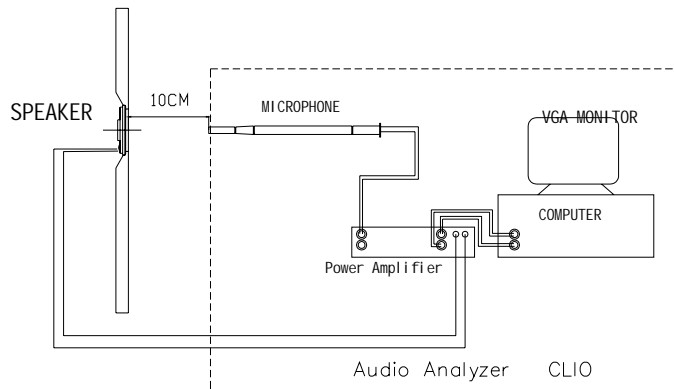
1	Model	40008CP01-0523
2	Dimension	Outline Dimension Shall Be As Shown In Fig(1).
3	Weight	Approx 7.5 Grams.
4	Magnet	Materials NDEFB Size: 12.5x1.5
5	Impedance	8± 15% ohm At 1000Hz/1v.
6	Power Rating	Normal 0.3 W. Maximum 1.0 W.
7	Lower Resonant Frequency	500 ± 20% HZ
8	Output Sound Pressure Level (S.P.L)	93±3db/1 Watt,0.1Meter. At 1000Hz. 1200, 1500, 2000HZ Measurement Method Shown In Fig(2).
9	Frequency Range	F0-4.2KHz.Average SPL-10db. Shown In Fig(3).
10	Distortion	5% Maximum At 1000Hz. 0.3 W.
11	Abnormal Sound Test	Must Be Normal By 1.56 Volts.Sine Wave.
12	Polarity	Diaphragm Shall More Forward When Apply a Positive DC Current To The “+” or “marked” Terminal.
13	Operating Temperature	-20°C to +50°C
14	Storage Temperature	-25°C to +55°C
15	Reliable Test	
15-1	Load Test	Must be normal after load test:white noise 0.3W 48 hours.
15-2	Heat Test	Must be normal after 55±2 ° C and relative humidity 20-25% 16hours And then room temperature 1 hours.
15-3	Cold Test	Must be normal after -25±2 ° C 16hours and then room temperature 1 hours.
15-4	Humidity Test	Must be normal after 40±2 ° C and relative humidity 90-95% 16hours And then room temperature 1 hours.

Fig. 1



Unit:mm Tolerance: ±0.3

Measurement Method Fig(2).



Frequency Response Fig(3).

