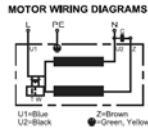
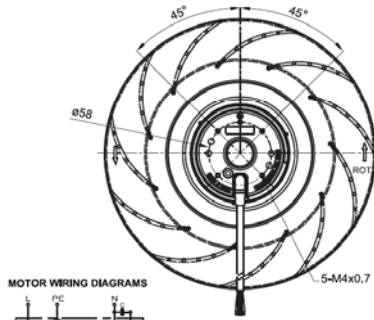
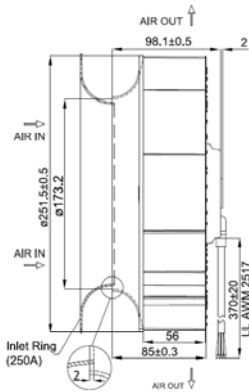


MODEL: EA25098 SERIES

Size : $\varnothing 251.5 \times 98.1$
Unit : mm

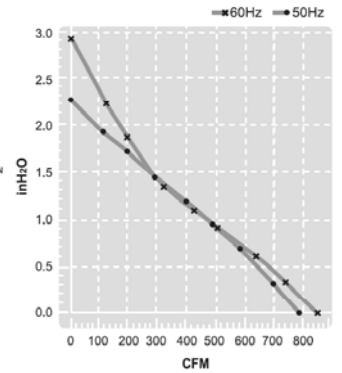


Thermal Protection



Lead Wire Type

(Centrifugal Fan)

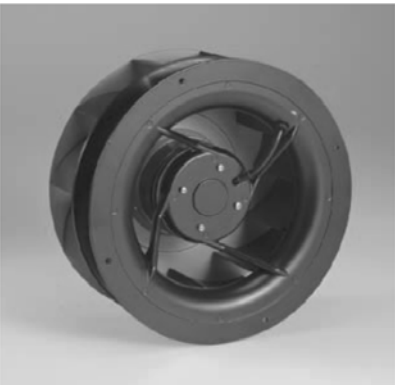


Model Spec	Rated Voltage V	Frequency Hz	Input Power W	Rated Current A	Locked Current A	Speed RPM	Maximum Air Flow m ³ /min	Maximum Air Flow CFM	Maximum Pressure mmH ₂ O	Maximum Pressure InchH ₂ O	Capacitor μ F/VDB	Noise dB	Weight KG
EA25098APA-11H1C2A	115V	50	170	1.50	3.10	2,600	22.0	770	86.0	2.20	20/250	75	3.10
		60	240	2.10	3.00	2,700	24.0	850	74.0	2.90		76	
EA25098APA-23H1C2A	230V	50	170	0.77	1.57	2,600	22.0	770	86.0	2.20	5/450	75	3.10
		60	240	1.00	1.52	2,700	24.0	850	74.0	2.90		76	

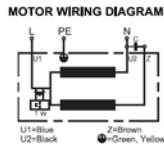
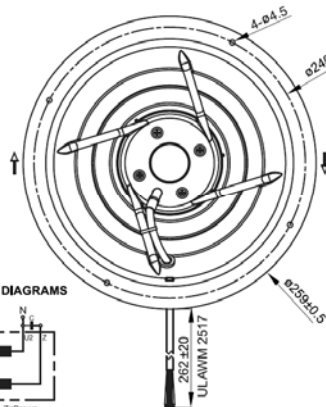
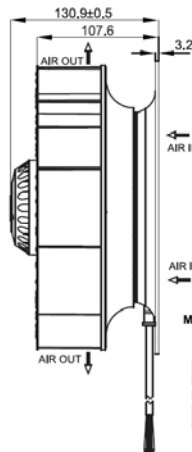
We reserve the right to change data without notice.

MODEL: EA25098 SERIES F

Size : $\varnothing 259 \times 130.9$
Unit : mm

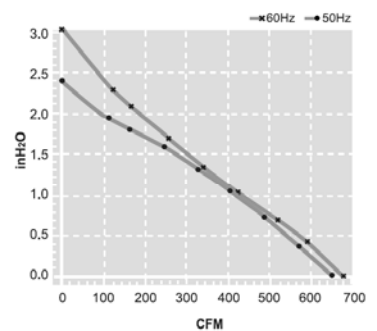


Thermal Protection



Lead Wire Type

(Centrifugal Fan)



Model Spec	Rated Voltage V	Frequency Hz	Input Power W	Rated Current A	Locked Current A	Speed RPM	Maximum Air Flow m ³ /min	Maximum Air Flow CFM	Maximum Pressure mmH ₂ O	Maximum Pressure InchH ₂ O	Capacitor μ F/VDB	Noise dB	Weight KG
EA25098APA-11H1C2F	115	50	170	1.50	3.1	2,600	22	770	56	2.2	20/250	75	3.3
		60	240	2.10	3.00	2,700	24	850	74	2.9		76	
EA25098APA-23H1C2F	230	50	170	0.77	1.57	2,600	22	770	56	2.2	5/450	75	3.3
		60	240	1.00	1.52	2,700	24	850	74	2.9		76	

We reserve the right to change data without notice.