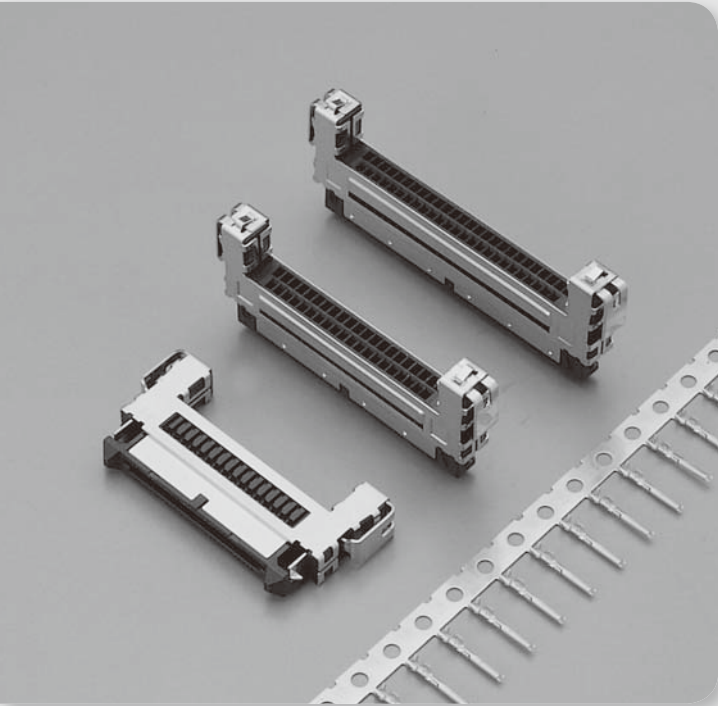


1.00mm (.039") Crimp Style Connectors<SMT><Double-Row>



Specifications

- Voltage Rating : 100V AC/DC
- Current Rating : 0.5A AC/DC
- Withstanding Voltage : 300V AC/minute
- Insulation Resistance : 500MΩ min.
- Temperature Range : -40°C to + 85°C
- Contact Resistance : 60mΩ max.

Features:

■ HOUSING

Part No. : JS-2015

Poles : 31, 41, 51

Material : Base : Nylon PA46 ,UL94V-0

Metal latch - locks (with shields) :

Stainless Steel

Q,ty : 120 pcs/ Tray

■ TERMINAL

Part No. : JS-2015-TG1

Applicable Wires : AWG# 30-32

Material : Phos. Bronze

Finish : Au>3μ Ni>30μ

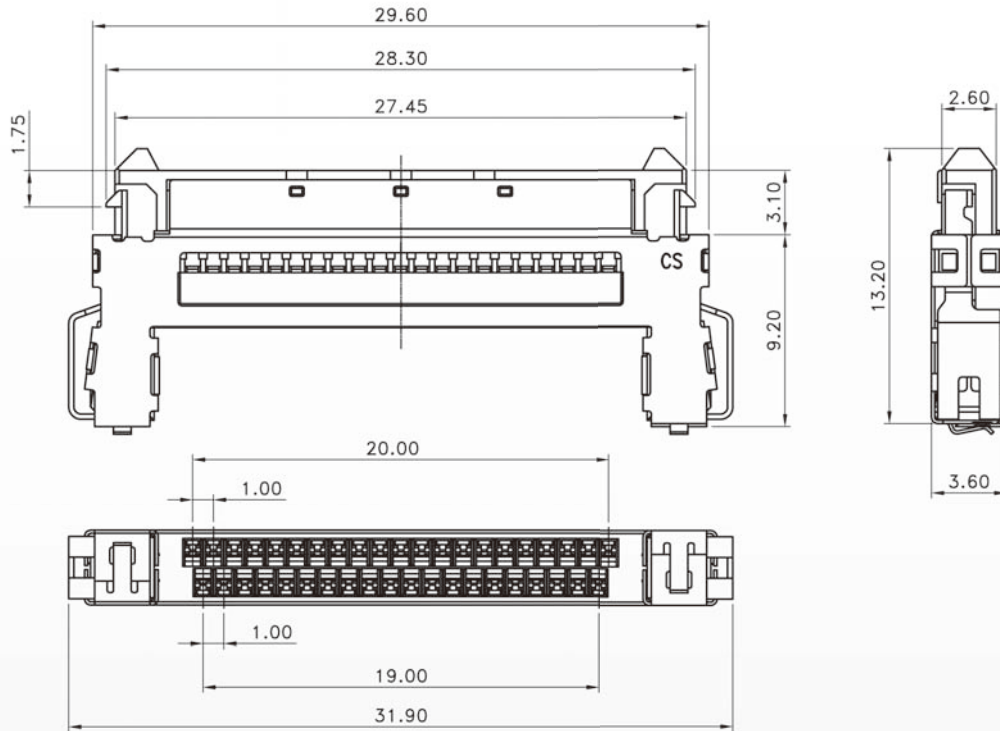
Thickness : 0.15mm

Q'ty : 15,000 pcs/Reel



1.00mm (.039") Crimp Style Connectors<SMT><Double-Row>

Housing JS-2015



Terminal JS-2015-TG

