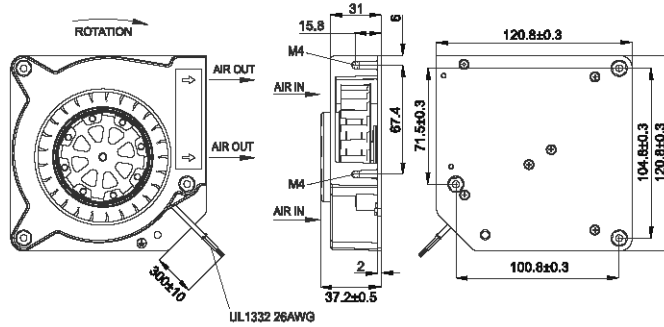
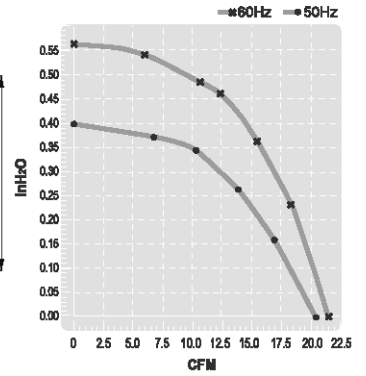


# MODEL: EBA12030 SERIES

Size : 120.8 x 120.8 x 37.2  
Unit : mm



(Blower Fan)



Impedance Protection

Lead Wire Type

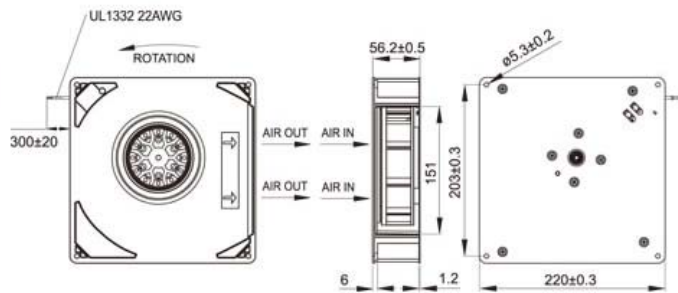
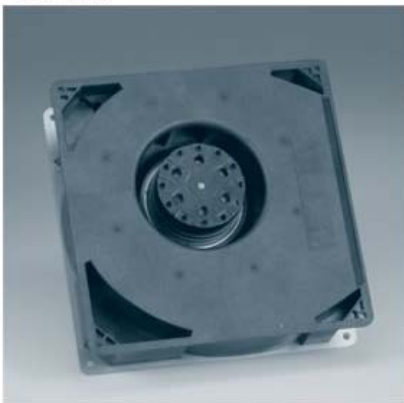


Model Spec	Rated Voltage V	Frequency Hz	Input Power W	Rated Current A	Locked Current A	Speed RPM	Maximum Air Flow m <sup>3</sup> /min	Maximum Air Flow CFM	Maximum Pressure mmH <sub>2</sub> O	Maximum Pressure InchH <sub>2</sub> O	Noise dB	Weight KG
EBA12030-11HB	115V	50	19	0.23	0.30	2,500	0.58	20	10.0	0.40	49	0.66
		60	18	0.21	0.26	2,700	0.60	21	13.0	0.50	51	
EBA12030-23HB	230V	50	19	0.11	0.14	2,500	0.58	20	10.0	0.40	49	0.66
		60	18	0.10	0.12	2,700	0.60	21	13.0	0.50	51	

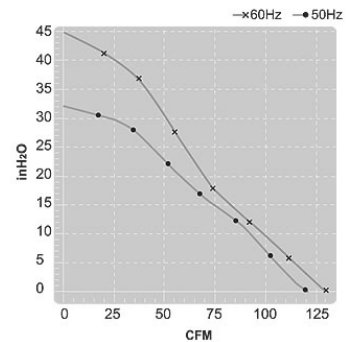
We reserve the right to change data without notice.

# MODEL: EBA22056 SERIES

Size : ø220 x 220 x 56.2  
Unit : mm



(Blower Fan)



Impedance Protection

Lead Wire Type



Model Spec	Rated Voltage V	Frequency Hz	Input Power W	Rated Current A	Locked Current A	Speed RPM	Maximum Air Flow m <sup>3</sup> /min	Maximum Air Flow CFM	Maximum Pressure mmH <sub>2</sub> O	Maximum Pressure InchH <sub>2</sub> O	Noise dB	Weight KG
EBA22056-11HB	115V	50	50	0.70	0.94	2,700	3.3	118	33	1.3	63	1.73
		60	52	0.60	0.80	2,900	3.6	126	46	1.8	65	
EBA22056-23HB	230V	50	50	0.40	0.46	2,700	3.3	118	33	1.3	63	1.73
		60	53	0.30	0.40	2,900	3.6	126	46	1.8	65	

We reserve the right to change data without notice.