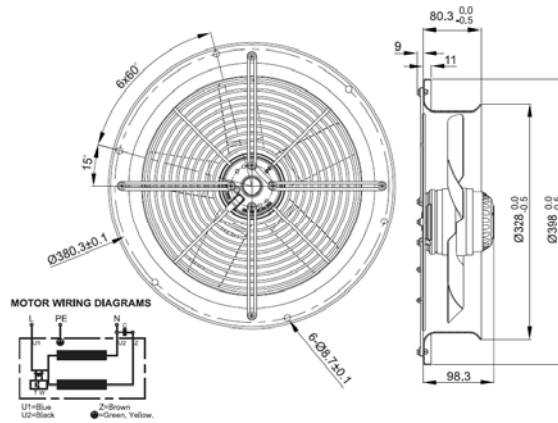
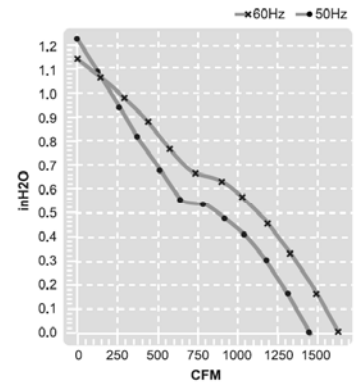


MODEL: EA3998BNB SERIES

Size : $\varnothing 398 \times 98.3$
Unit : mm



(Axial Fan)



Thermal Protection

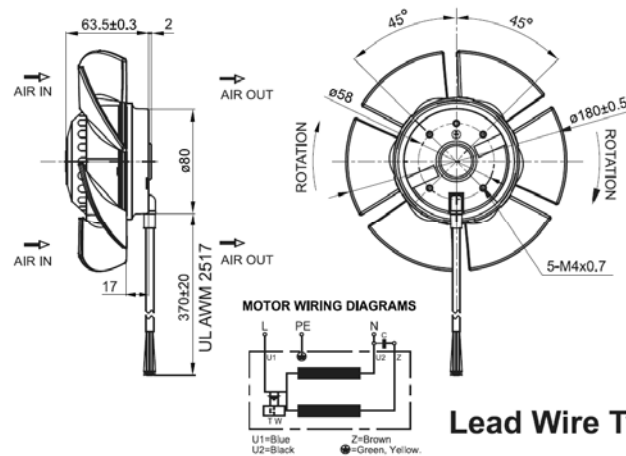
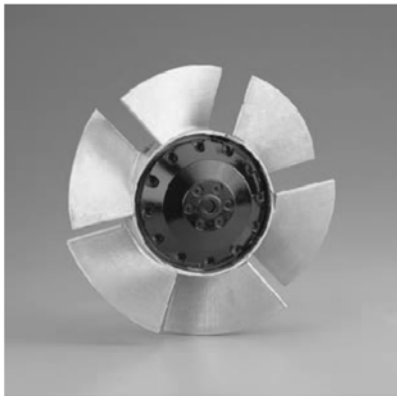


Model Spec	Rated Voltage V	Frequency Hz	Input Power W	Rated Current A	Locked Current A	Speed RPM	Maximum Air Flow m ³ /min	Maximum Air Flow CFM	Maximum Pressure mmH ₂ O	Maximum Pressure InchH ₂ O	Capacitor μ F/VDB	Noise dB	Weight KG
EA3998BNB-11H1C2A	115V	50	150	1.36	3.15	2650	40.6	1435	31	1.2	20/250	75	4.5
		60	200	1.76	3.10	2950	45.7	1615	29	1.1		78	
EA3998BNB-23H1C2A	230V	50	150	0.68	1.60	2650	40.6	1435	31	1.2	5/450	75	4.5
		60	200	0.88	1.56	2950	45.7	1615	29	1.1		78	

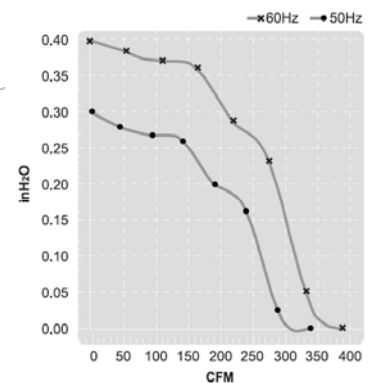
We reserve the right to change data without notice.

MODEL: EA1885BAB SERIES

Size : $\varnothing 180 \times 63.5$
Unit : mm



(Axial Fan)



Thermal Protection

Lead Wire Type



Model Spec	Rated Voltage V	Frequency Hz	Input Power W	Rated Current A	Locked Current A	Speed RPM	Maximum Air Flow m ³ /min	Maximum Air Flow CFM	Maximum Pressure mmH ₂ O	Maximum Pressure InchH ₂ O	Capacitor μ F/VDB	Noise dB	Weight KG
EA1885BAB-11HC2A	115V	50	76	0.70	1.23	2,750	9.5	335	7.5	0.30	10/250	62	1.20
		60	75	0.71	1.23	3,100	11.0	388	10.0	0.40		65	
EA1885BAB-23HC2A	230V	50	76	0.35	0.54	2,750	9.5	335	7.5	0.30	2/450	62	1.20
		60	75	0.40	0.54	3,100	11.0	388	10.0	0.40		65	

We reserve the right to change data without notice.