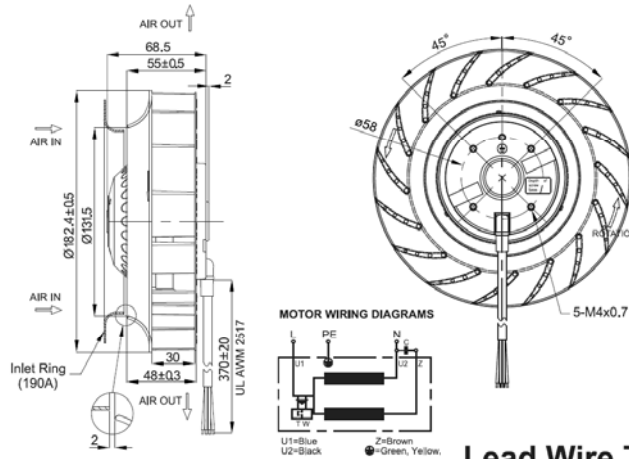


# MODEL: EA18055 SERIES

Size :  $\varnothing 182.4 \times 68.5$   
Unit : mm

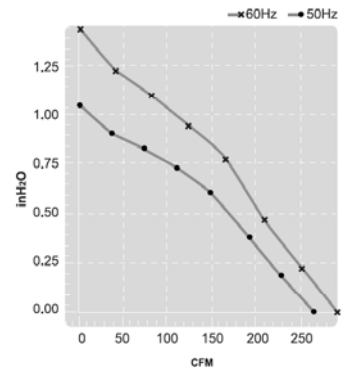


Thermal Protection



Lead Wire Type

(Centrifugal Fan)



Model Spec	Rated Voltage V	Frequency Hz	Input Power W	Rated Current A	Locked Current A	Speed RPM	Maximum Air Flow m <sup>3</sup> /min	Maximum Air Flow CFM	Maximum Pressure mmH <sub>2</sub> O	Maximum Pressure InchH <sub>2</sub> O	Capacitor $\mu$ F/VDB	Noise dB	Weight KG
EA18055APA-11H2C2A	115	50	68	0.60	0.92	2,550	7.5	265	26	1.0	10/250	64	1.2
		60	78	0.70	0.95	2,800	8.3	290	36	1.4		67	
EA18055APA-23H2C2A	230	50	68	0.30	0.46	2,550	7.5	265	26	1.0	2/450	64	1.2
		60	78	0.34	0.48	2,800	8.3	290	36	1.4		67	

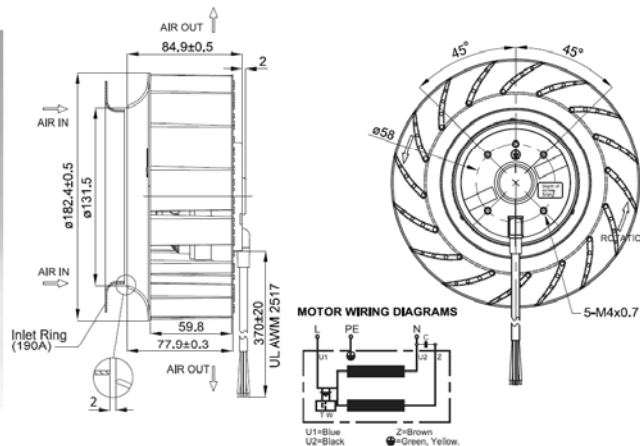
We reserve the right to change data without notice.

# MODEL: EA18085 SERIES

Size :  $\varnothing 182.4 \times 84.9$   
Unit : mm

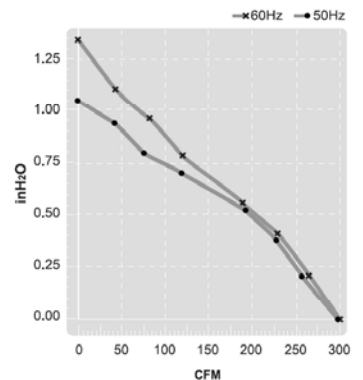


Thermal Protection



Lead Wire Type

(Centrifugal Fan)



Model Spec	Rated Voltage V	Frequency Hz	Input Power W	Rated Current A	Locked Current A	Speed RPM	Maximum Air Flow m <sup>3</sup> /min	Maximum Air Flow CFM	Maximum Pressure mmH <sub>2</sub> O	Maximum Pressure InchH <sub>2</sub> O	Capacitor $\mu$ F/VDB	Noise dB	Weight KG
EA18085APA-11H1C2A	115V	50	70	0.62	0.86	2,300	8.5	300	25.0	1.00	10/250	63	1.40
		60	83	0.75	0.93	2,300	8.5	300	34.0	1.30		63	
EA18085APA-23H1C2A	230V	50	70	0.30	0.41	2,300	8.5	300	25.0	1.00	2/450	63	1.40
		60	81	0.35	0.44	2,300	8.5	300	34.0	1.30		63	

We reserve the right to change data without notice.