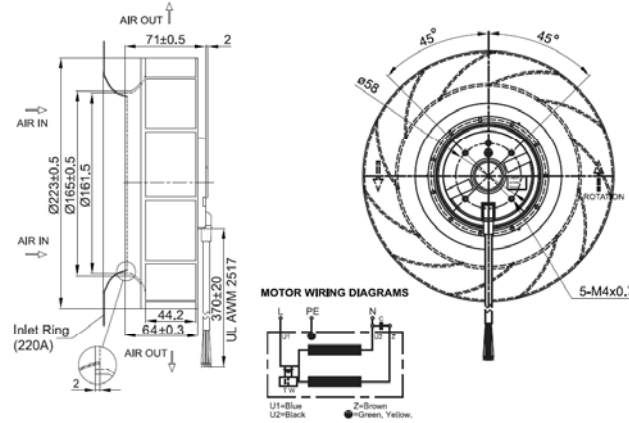


MODEL: EA22070 SERIES

Size : $\varnothing 223 \times 71$
Unit : mm

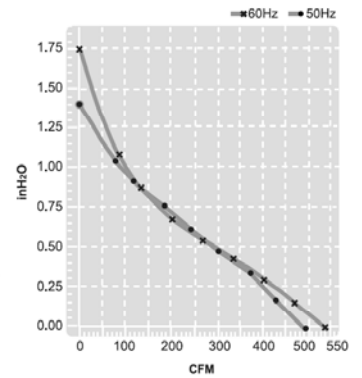


Thermal Protection



Lead Wire Type

(Centrifugal Fan)



Model Spec	Rated Voltage V	Frequency Hz	Input Power W	Rated Current A	Locked Current A	Speed RPM	Maximum Air Flow m ³ /min	Maximum Air Flow CFM	Maximum Pressure mmH ₂ O	Maximum Pressure InchH ₂ O	Capacitor μ F/VDB	Noise dB	Weight KG
EA22070APA-11H2C2A	115V	50	90	0.77	1.19	2,500	14.0	500	35.0	1.40	10/250	65	1.30
		60	117	0.98	1.22	2,650	15.0	530	38.0	1.50		70	
EA22070APA-23H2C2A	230V	50	90	0.40	0.60	2,500	14.0	500	35.0	1.40	2/450	65	1.30
		60	117	0.50	0.58	2,650	15.0	530	38.0	1.50		70	

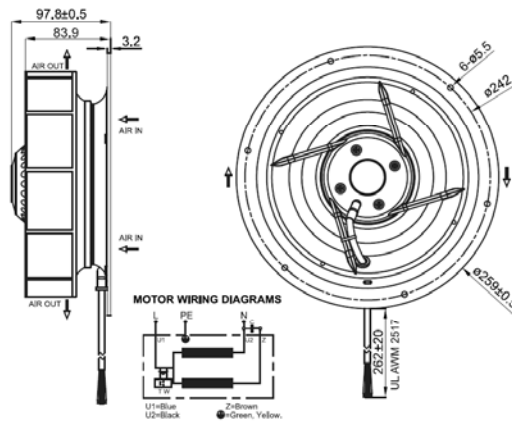
We reserve the right to change data without notice.

MODEL: EA22070 SERIES F

Size : $\varnothing 259 \times 97.8$
Unit : mm

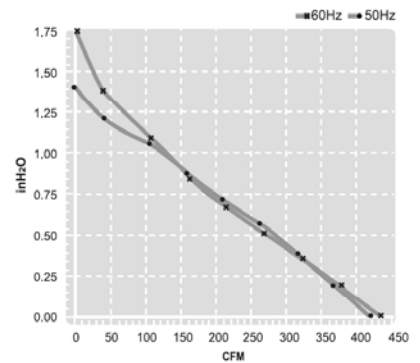


Thermal Protection



Lead Wire Type

(Centrifugal Fan)



Model Spec	Rated Voltage V	Frequency Hz	Input Power W	Rated Current A	Locked Current A	Speed RPM	Maximum Air Flow m ³ /min	Maximum Air Flow CFM	Maximum Pressure mmH ₂ O	Maximum Pressure InchH ₂ O	Capacitor μ F/VDB	Noise dB	Weight KG
EA22070APA-11H2C2F	115	50	90	0.63	0.88	2,500	14	500	35	1.4	10/250	65	1.9
		60	117	0.80	0.93	2,650	15	530	38	1.7		70	
EA22070APA-23H2C2F	230	50	90	0.35	0.47	2,500	14	500	35	1.4	2/450	65	1.9
		60	117	0.39	0.49	2,650	15	530	38	1.7		70	

We reserve the right to change data without notice.