

# IR Day/Night Megapixel AHD Camera

Model: **AHD200MP-SV3B**

High resolution, 2.0 Megapixel, 1080P, 12VDC  
12 Leds, with smart IR-CUT



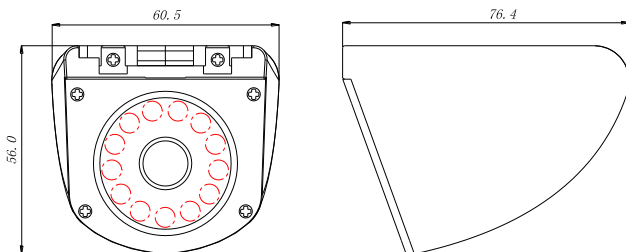
## Descriptions:

This is a high quality AHD (Analog High Definition) Color camera, using the latest CMOS technology, the camera can produce high definition image with little distortion. Analog High Definition is a high video definition standard, through the coaxial cable, using the analog modulation technology to transfer progressive-scan HD Video signal. AHD system is same as traditional analog system, using common 75-3 coaxial cable to carry out as far as 500 meters HD video without any video signal loss.

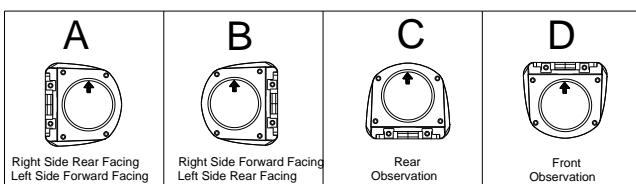
## Packing list:

Camera	1
Instruction Manual	1
Self Drilling Screw	3
Mounting Plug	3
Hex-key	1
Optional Lens	selectable from f2.9mm to f12mm

## Dimensions:

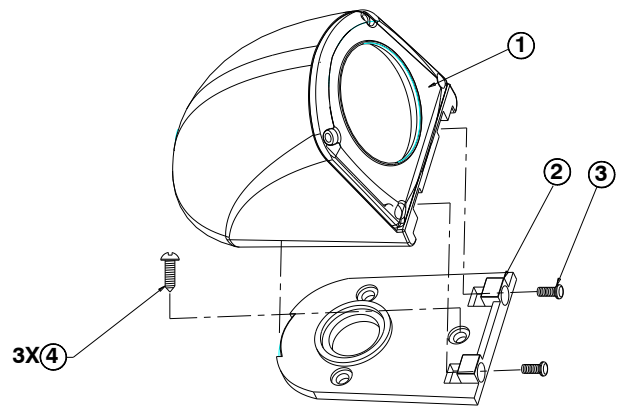


## Camera Module Orientation Matches Letter Orientation Illustrated:



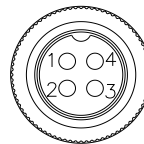
(The front picture shown B orientation)

## Operation procedures:



1. Loosen the lock screws (3) by applied hex key, remove the mounting base (2) from the camera (1).
2. Attach the mounting base (1) to the wall or ceiling, wherever you want to install the camera. Locate a wall stud or ceiling joint and secure the base by the supplied mounting screws (4).
3. Connect the 4 ways male din jack to the female jack on the cable, when picture shown up on the monitor.
4. Fix the camera on the mounting plate.

## Connection:



- 1 --- 12VDC (+)
- 2 --- 12VDC/GND (-)
- 3 --- N/A
- 4 --- Video

## Specifications:

Model	AHD200MP-SV3B
Pick up Device	1/2.9" CMOS Sensor AR0237
TV System	PAL
Picture Elements	1960(H)*1080(V)
Effective pixels	2.0M pixels
Day-night mode	External control (default) / Auto / color / black and white
Infrared Spectrum	850nm
S/N Ratio	More than 50 dB, (AGC Off)
Auto Gain Control	Auto
White Balance	Auto
Electronic Shutter	AUTO/ 1/50 (1/60) -1/100,000sec
Back Light Compensation	Auto
Infrared LED	12 LEDs
Infrared LED Range	8 m
Video output	1 Vp-p, 75Ω composite, 4 ways Din jack x1
Audio Output	N/A
Mirror	N/A
Power Consumption	170mA
Lens	Standard f3.6mm Fixed Megapixel Lens
Lens Mount	M12XP0.5mm Thread
Power Supply	12V DC ±10%
Dimensions(L x W x H)	76.4 x 60.5 x 56mm
Net Weight	203g
Weatherproof	IP67
Operating Temperature	-10°C to +50°C

\*Specifications are subject to change without prior notice.

- Input voltage exceeding the nominal rating by over +/-10% will cause abnormal operation.

Note: This camera needs to connect to MDVR or DVR that supports AHD (Analog High Definition) system.