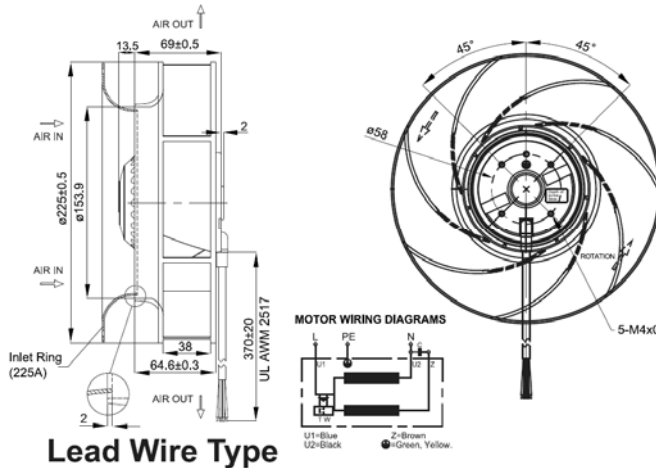


MODEL: EA22569 SERIES

Size : $\varnothing 225 \times 69$
Unit : mm

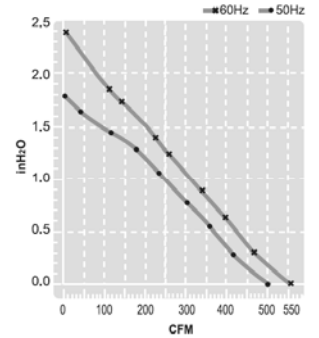


Thermal Protection



Lead Wire Type

(Centrifugal Fan)



Model Spec	Rated Voltage V	Frequency Hz	Input Power W	Rated Current A	Locked Current A	Speed RPM	Maximum Air Flow m ³ /min	Maximum Air Flow CFM	Maximum Pressure mmH ₂ O	Maximum Pressure InchH ₂ O	Capacitor μ F/VDB	Noise dB	Weight KG
EA22569APA-11H1C2A	115V	50	128	1.07	2.22	2,650	14.2	500	46.0	1.80	12/250	70	2.30
		60	160	1.08	2.30	2,950	15.6	550	58.0	2.30		72	
EA22569APA-23H1C2A	230V	50	126	0.53	1.14	2,650	14.2	500	46.0	1.80	3/450	70	2.30
		60	157	0.54	1.15	2,950	15.6	550	58.0	2.30		72	

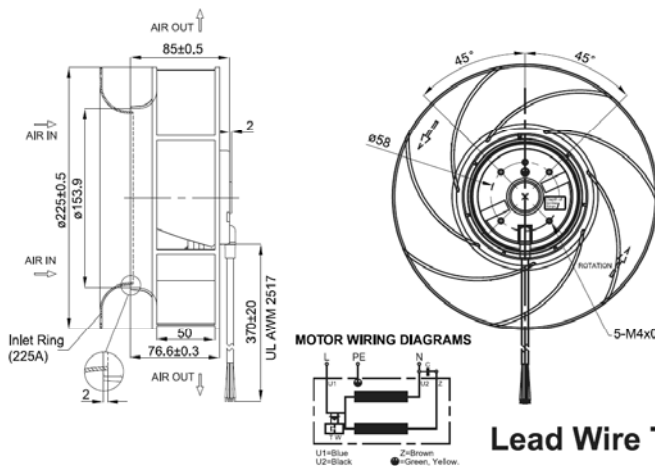
We reserve the right to change data without notice.

MODEL: EA22585 SERIES

Size : $\varnothing 225 \times 85$
Unit : mm

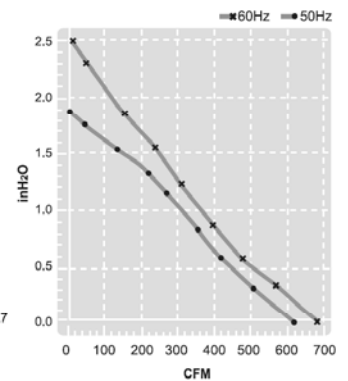


Thermal Protection



Lead Wire Type

(Centrifugal Fan)



Model Spec	Rated Voltage V	Frequency Hz	Input Power W	Rated Current A	Locked Current A	Speed RPM	Maximum Air Flow m ³ /min	Maximum Air Flow CFM	Maximum Pressure mmH ₂ O	Maximum Pressure InchH ₂ O	Capacitor μ F/VDB	Noise dB	Weight KG
EA22585APA-11H1C2A	115V	50	128	1.10	2.22	2,700	17.5	618	46.0	1.80	12/250	74	2.30
		60	160	1.20	2.30	3,000	19.2	680	64.0	2.50		75	
EA22585APA-23H1C2A	230V	50	126	0.55	1.14	2,700	17.5	618	46.0	1.80	3/450	74	2.30
		60	157	0.60	1.15	3,000	19.2	680	64.0	2.50		75	

We reserve the right to change data without notice.