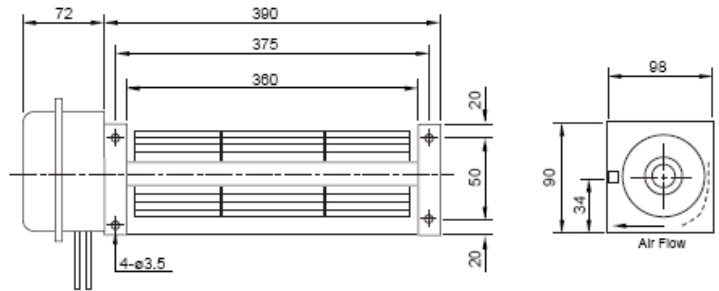
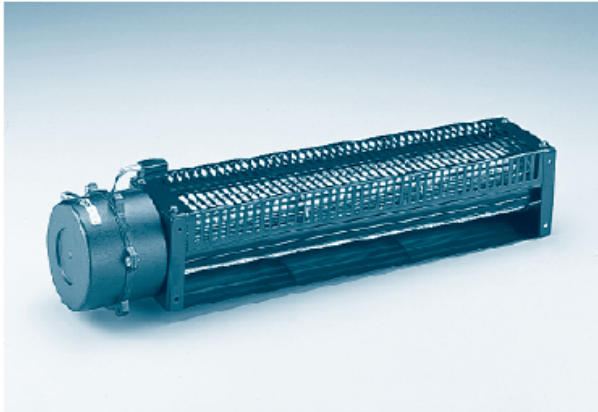


MODEL: ECA6036C SERIES

Size : 462 x 100 x 90
Unit : mm

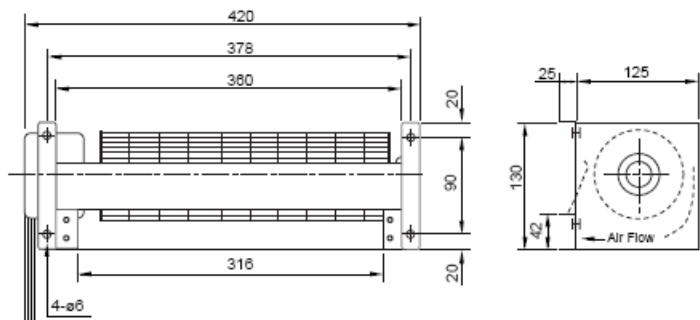
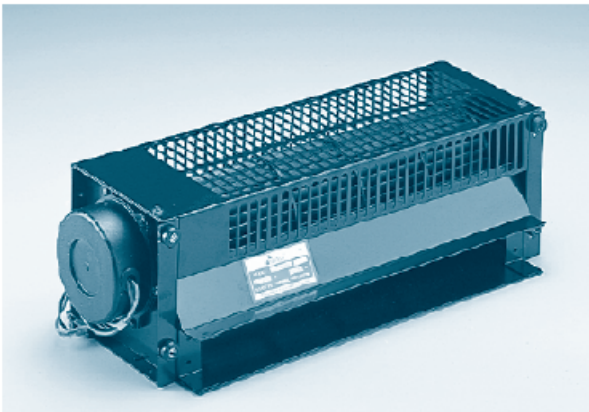


Model Spec	Rated Voltage V	Frequency Hz	Input Power W	Rated Current A	Locked Current A	Speed RPM	Maximum Air Flow m ³ /min	Maximum Air Flow CFM	Maximum Pressure mmH ₂ O	Maximum Pressure InchH ₂ O	Noise dB	Weight KG
ECA6036C-12HBL	120 V	50	35	0.33	0.46	2,500	5.5	195	5.0	0.20	50	2.10
		60	37	0.33	0.46	2,800	6.0	212	7.5	0.30	53	
ECA6036C-23HBL	230V	50	35	0.17	0.22	2,500	5.5	195	5.0	0.20	50	2.10
		60	37	0.17	0.22	2,800	6.0	212	7.5	0.30	53	

We reserve the right to change data without notice.

MODEL: EA9029C SERIES

Size : 420 x 150 x 130
Unit : mm



Model Spec	Rated Voltage V	Frequency Hz	Input Power W	Rated Current A	Locked Current A	Speed RPM	Maximum Air Flow m ³ /min	Maximum Air Flow CFM	Maximum Pressure mmH ₂ O	Maximum Pressure InchH ₂ O	Noise dB	Weight KG
ECA9029C-12HBL	120 V	50	33	0.28	0.40	1,350	4.5	159	2.2	0.09	43	3.00
		60	31	0.27	0.40	1,560	5.0	177	3.3	0.13	46	
ECA9029C-23HBL	230V	50	33	0.14	0.20	1,350	4.5	159	2.2	0.09	43	3.00
		60	31	0.13	0.19	1,560	5.0	177	3.3	0.13	46	

We reserve the right to change data without notice.