



NEX-230 RFID SILICON WRISTBAND TAG

Characteristic:

Excellent stability, resistant-heat, coming from its silicone material Excellent waterproof can be used directly in water. Circulation for many times after sterilization

Typical application:

- Entertainment place access and identification
- Water park and swimming pool
- Membership management and loyalty program

Specifications:

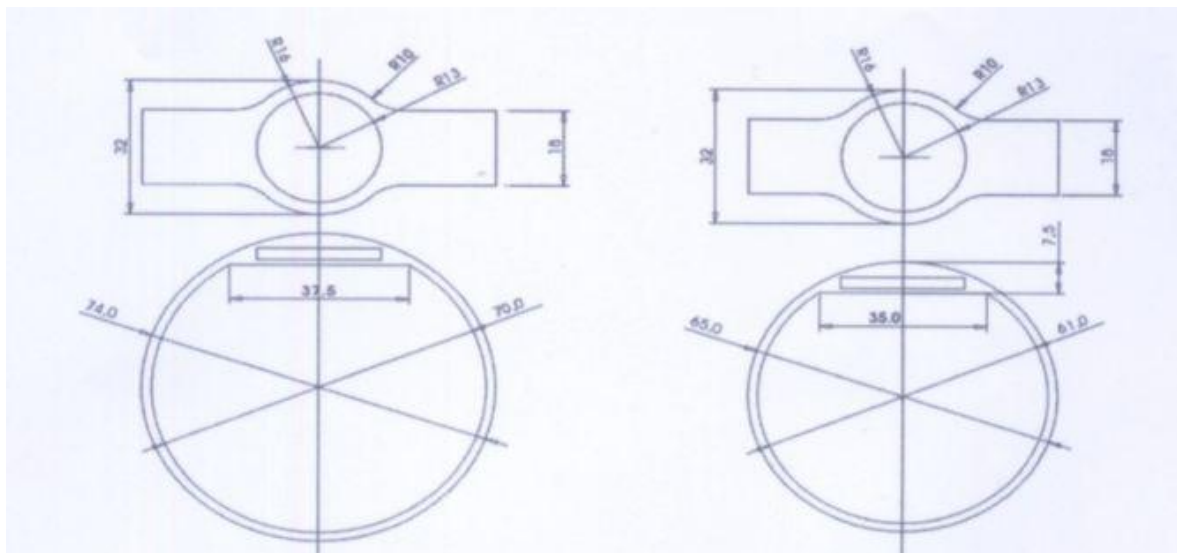
1. Material:	100% SGS approval silicone, eco-friendly
--------------	--

NexqoTechnology Co.,Ltd.www.nexqo.comEmail:sales@nexqo.com

ADD:Rm16E/F,West Coast Building, Nanhai Blvd,Nanshan District, Shenzhen, China

[TEL:+86-755-26490032](tel:+86-755-26490032) FAX:+86-755-26490070

2. Color:	Red ,Black ,Yellow ,Blue
3. Logo:	Screen printed, embossed, embossed. Customer's logo and design is welcome!
4. Size:	Dia65 /74
5. OEM:	Can be customized based on the actual samples or your 3D drawing
6. Frequency:	125KHZ ,13.56MHZ ,UHF EPC Gen2
7. MOQ:	300pcs per color per size
8. Packing details:	100pcs/bag, 1000pcs/ctn, MEAS: 50*35*38 cm, G.W: 11kgs
9. Sample time:	3~5 days



NexqoTechnology Co.,Ltd. www.nexqo.com Email: sales@nexqo.com

ADD:Rm16E/F,West Coast Building, Nanhai Blvd,Nanshan District, Shenzhen, China

[TEL:+86-755-26490032](tel:+86-755-26490032) FAX:+86-755-26490070