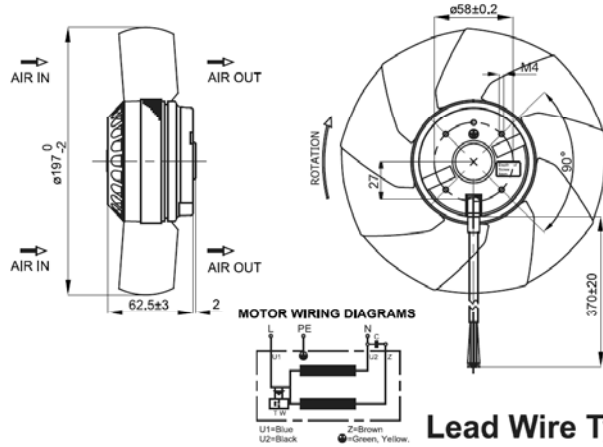


MODEL: EA2280BMB SERIES E

Size : $\phi 197 \times 62.5$
Unit : mm

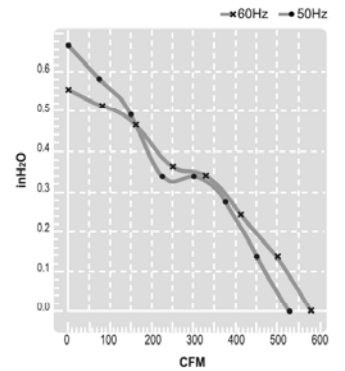


Thermal Protection



Lead Wire Type

(Axial Fan)



Model Spec	Rated Voltage V	Frequency Hz	Input Power W	Rated Current A	Locked Current A	Speed RPM	Maximum Air Flow m ³ /min	Maximum Air Flow CFM	Maximum Pressure mmH ₂ O	Maximum Pressure InchH ₂ O	Capacitor μ F/DB	Noise dB	Weight KG
EA2280BMB-11HC2E	115V	50	65	0.58	0.99	2,550	15.0	530	17.0	0.67	5/250	59	1.40
		60	72	0.70	0.99	2,800	17.0	600	14.0	0.55		61	
EA2280BMB-23HC22	230V	50	74	0.29	0.50	2,550	15.0	530	17.0	0.67	1.5/450	59	1.40
		60	80	0.35	0.50	2,800	17.0	600	14.0	0.55		61	

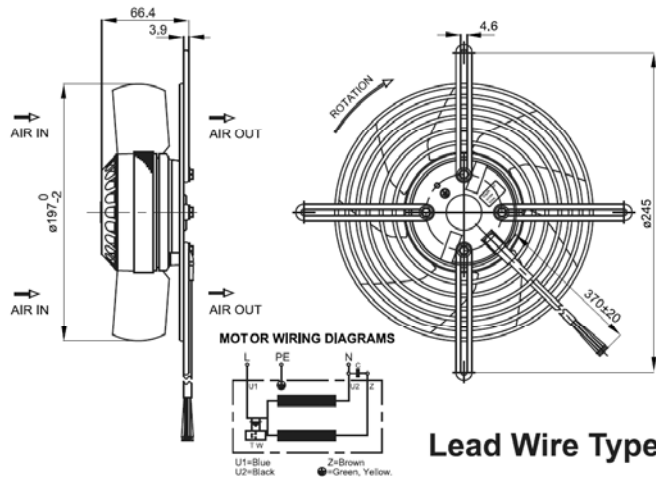
We reserve the right to change data without notice.

MODEL: EA2280BMB SERIES B

Size : $\phi 245 \times 66.4$
Unit : mm

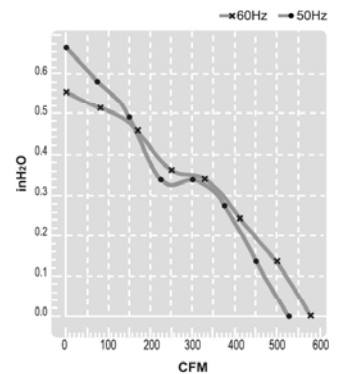


Thermal Protection



Lead Wire Type

(Axial Fan)



Model Spec	Rated Voltage V	Frequency Hz	Input Power W	Rated Current A	Locked Current A	Speed RPM	Maximum Air Flow m ³ /min	Maximum Air Flow CFM	Maximum Pressure mmH ₂ O	Maximum Pressure InchH ₂ O	Capacitor μ F/DB	Noise dB	Weight KG
EA2280BMB-11HC2B	115V	50	65	0.58	0.99	2,550	15.0	530	17.0	0.67	5/250	59	1.40
		60	72	0.70	0.99	2,800	17.0	600	14.0	0.55		61	
EA2280BMB-23HC2B	230V	50	74	0.29	0.50	2,550	15.0	530	17.0	0.67	1.5/450	59	1.40
		60	80	0.35	0.50	2,800	17.0	600	14.0	0.55		61	

We reserve the right to change data without notice.