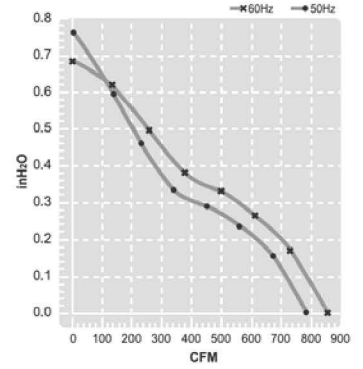
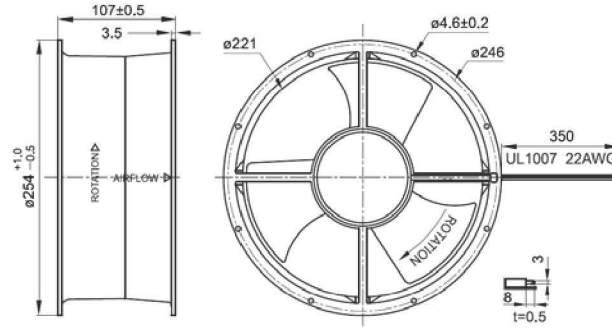


MODEL: EA25107C SERIES

Size : $\varnothing 254 \times 107$
Unit : mm



Thermal Protection

Terminal or Lead Wire Type

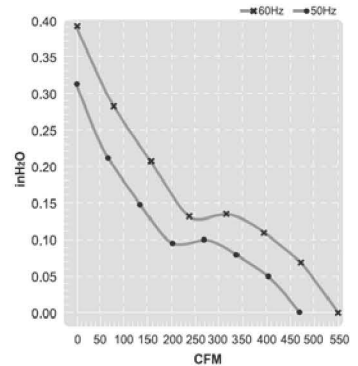
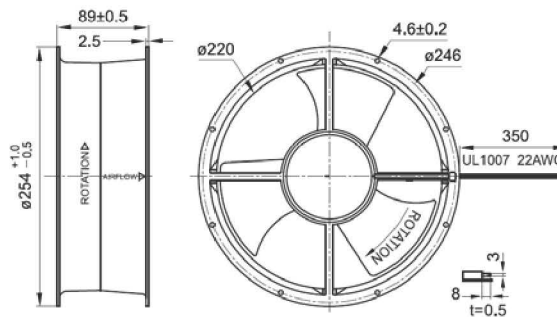


Model Spec	Rated Voltage V	Frequency Hz	Input Power W	Rated Current A	Locked Current A	Speed RPM	Maximum Air Flow m ³ /min	Maximum Air Flow CFM	Maximum Pressure mmH ₂ O	Maximum Pressure InchH ₂ O	Noise dB	Weight KG
EA25107C-11HB	115V	50	95	0.85	1.65	2,600	22.0	780	19.0	0.75	63	2.50
		60	125	1.07	1.50	2,750	24.0	850	17.5	0.68	65	
EA25107C-23HB	230V	50	95	0.42	0.80	2,600	22.0	780	19.0	0.75	63	2.50
		60	125	0.50	0.75	2,750	24.0	850	17.5	0.68	65	

We reserve the right to change data without notice.

MODEL: EA2589C SERIES

Size : $\varnothing 254 \times 89$
Unit : mm



Thermal Protection

Terminal or Lead Wire Type



Model Spec	Rated Voltage V	Frequency Hz	Input Power W	Rated Current A	Locked Current A	Speed RPM	Maximum Air Flow m ³ /min	Maximum Air Flow CFM	Maximum Pressure mmH ₂ O	Maximum Pressure InchH ₂ O	Noise dB	Weight KG
EA2589C-11HB	115V	50	31	0.30	0.53	1,400	13.0	460	8.0	0.32	52	1.90
		60	33	0.29	0.51	1,650	15.5	550	10.0	0.40	55	
EA2589C-23HB	230V	50	31	0.14	0.26	1,400	13.0	460	8.0	0.32	52	1.90
		60	33	0.14	0.25	1,650	15.5	550	10.0	0.40	55	

We reserve the right to change data without notice.