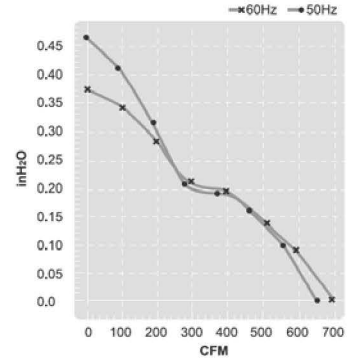
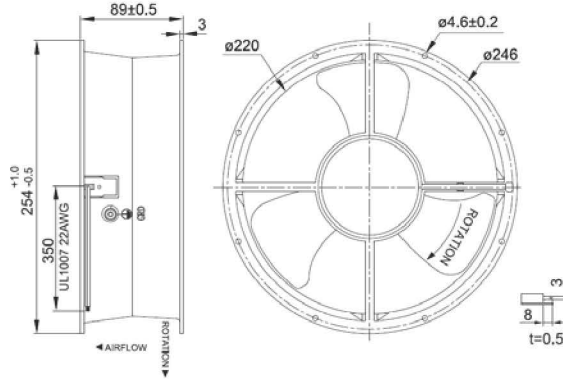


MODEL: EA2589CA SERIES

Size : $\varnothing 254 \times 89$
Unit : mm



Thermal Protection

Terminal or Lead Wire Type

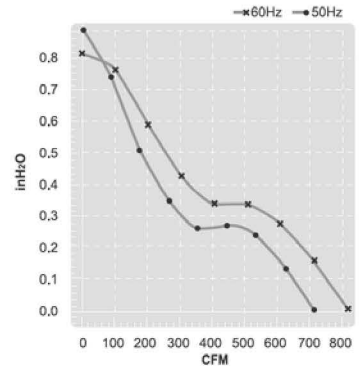
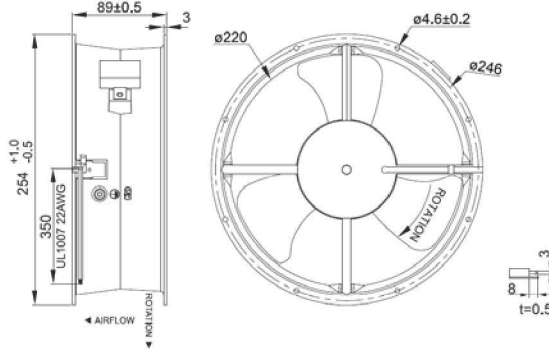


Model Spec	Rated Voltage V	Frequency Hz	Input Power W	Rated Current A	Locked Current A	Speed RPM	Maximum Air Flow m ³ /min	Maximum Air Flow CFM	Maximum Pressure mmH ₂ O	Maximum Pressure InchH ₂ O	Noise dB	Weight KG
EA2589CA-11HB	115	50	60	0.51	0.71	2,500	18.5	650	11.7	0.46	61	1.9
		60	75	0.66	0.70	2,600	19.3	680	9.4	0.37	62	
EA2589CA-23HB	230	50	60	0.25	0.36	2,500	18.5	650	11.7	0.46	61	1.9
		60	75	0.35	0.36	2,600	19.3	680	9.4	0.37	62	

We reserve the right to change data without notice.

MODEL: EA2589CB SERIES

Size : $\varnothing 254 \times 89$
Unit : mm



Thermal Protection

Terminal or Lead Wire Type



Model Spec	Rated Voltage V	Frequency Hz	Input Power W	Rated Current A	Locked Current A	Speed RPM	Maximum Air Flow m ³ /min	Maximum Air Flow CFM	Maximum Pressure mmH ₂ O	Maximum Pressure InchH ₂ O	Noise dB	Weight KG
EA2589CB-11HB	115	50	68	0.62	1.16	2,800	20.2	713	22.7	0.90	62	2.3
		60	96	0.88	1.16	3,200	23.0	812	20.7	0.82	65	
EA2589CB-23HB	230	50	70	0.32	0.60	2,800	20.2	713	22.7	0.90	62	2.3
		60	98	0.45	0.60	3,200	23.0	812	20.7	0.82	65	

We reserve the right to change data without notice.