

2.00mm (.079") Crimp Style Connectors

Specifications

- Voltage Rating : 20V AC/DC
- Current Rating : 3A AC/DC
- Withstanding Voltage : 1,000V AC/minute
- Insulation Resistance : 1,000MΩ min.
- Temperature Range : -25°C to + 85°C
- Contact Resistance : 30mΩ max.

Features:

■ HOUSING

Part No. : JS-2003-XX

Poles : 2 - 16

Material : Nylon PA66 UL94V-0

Q'ty : 1,000 pcs/Bag

■ WAFER

Part No. : JS-2004-XX(Straight)

JS-2004R-XX (Right Angle)

Poles : 2 - 16

Material : Contact : Brass, Tin Plated

Base : Nylon PA66 UL94V-0

Q'ty : 1,000 pcs./Bag

■ TERMINAL

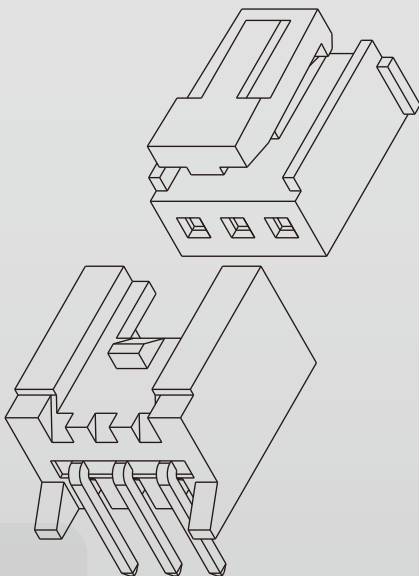
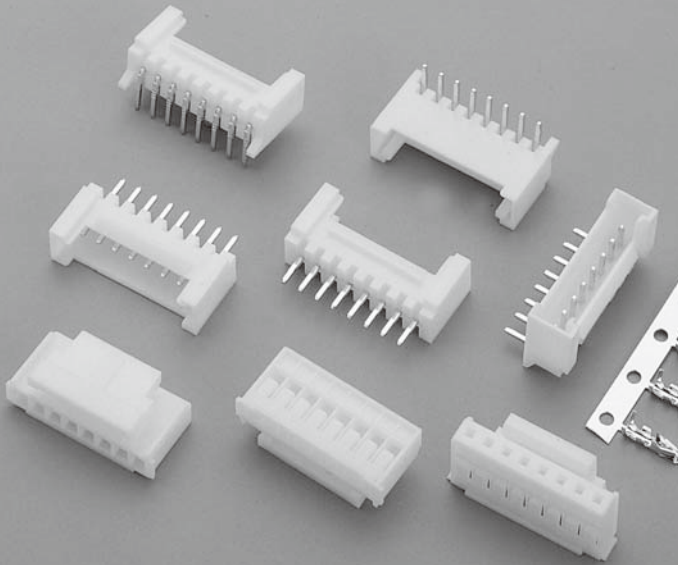
Part No. : JS-2003-T

Applicable Wires : AWG# 22-30

Material : Phos. Bronze, Tin Plated

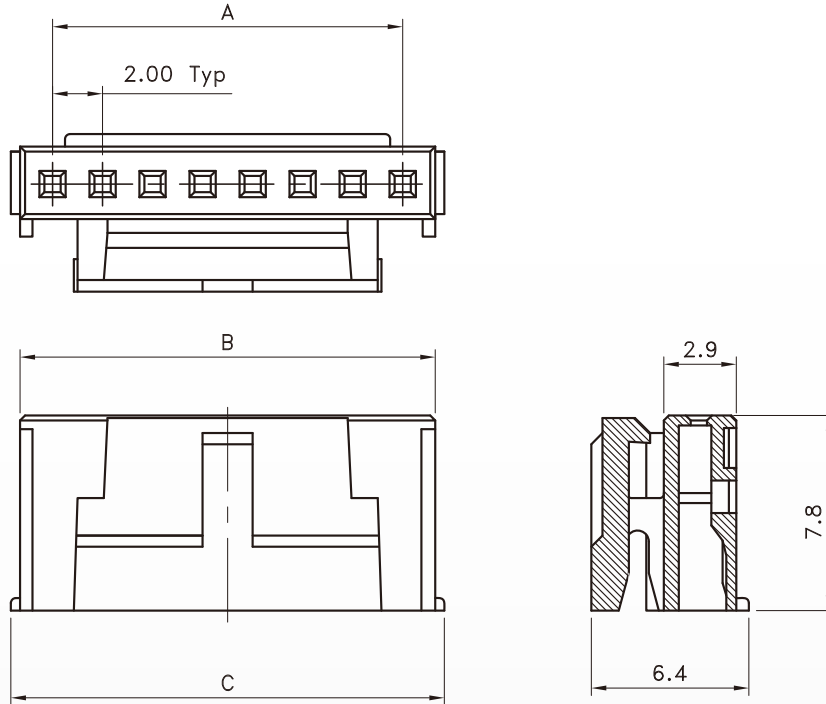
Thickness : 0.2mm

Q'ty : 8,000 pcs/Reel



2.00mm (.079") Crimp Style Connectors

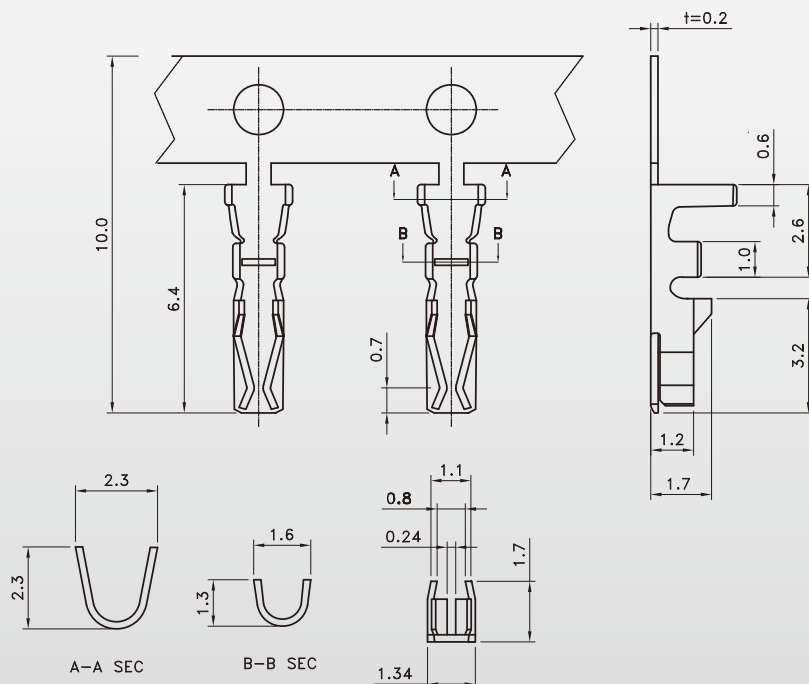
Housing JS-2003



Poles	Part No.	Dimensions (mm)		
		A	B	C
2	JS-2003-02	2.0	4.6	5.6
3	JS-2003-03	4.0	6.6	7.6
4	JS-2003-04	6.0	8.6	9.6
5	JS-2003-05	8.0	10.6	11.6
6	JS-2003-05	10.0	12.6	13.6
7	JS-2003-07	12.0	14.6	15.6
8	JS-2003-08	14.0	16.6	17.6
9	JS-2003-09	16.0	18.6	19.6

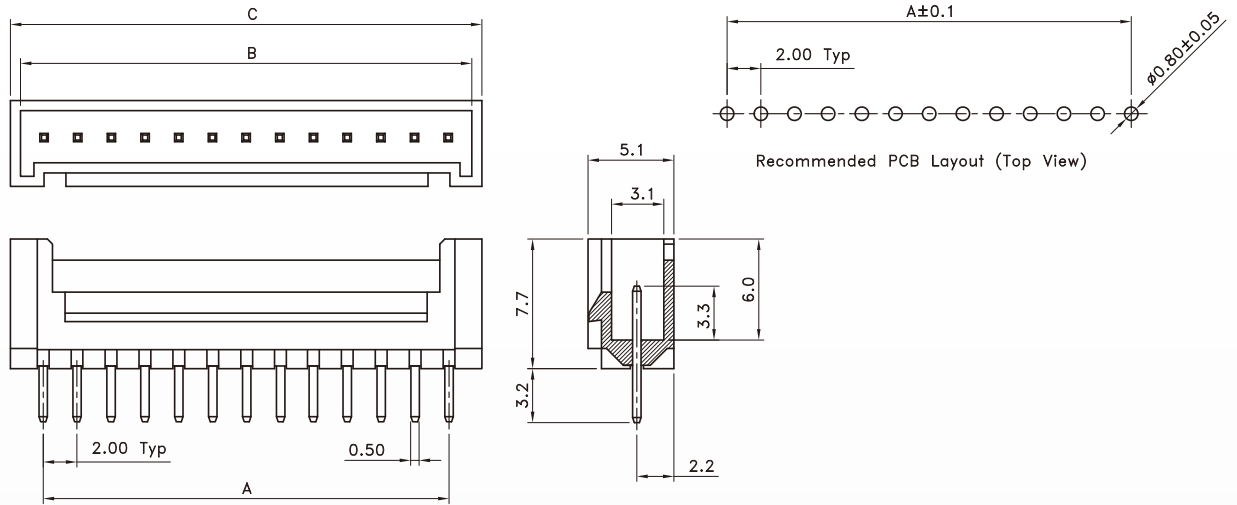
Poles	Part No.	Dimensions (mm)		
		A	B	C
10	JS-2003-10	18.0	20.6	21.6
11	JS-2003-11	20.0	22.6	23.6
12	JS-2003-12	22.0	24.6	25.6
13	JS-2003-13	24.0	26.6	27.6
14	JS-2003-14	26.0	28.6	29.6
15	JS-2003-15	28.0	30.6	31.6
16	JS-2003-16	30.0	32.6	33.6

Terminal JS-2003-T

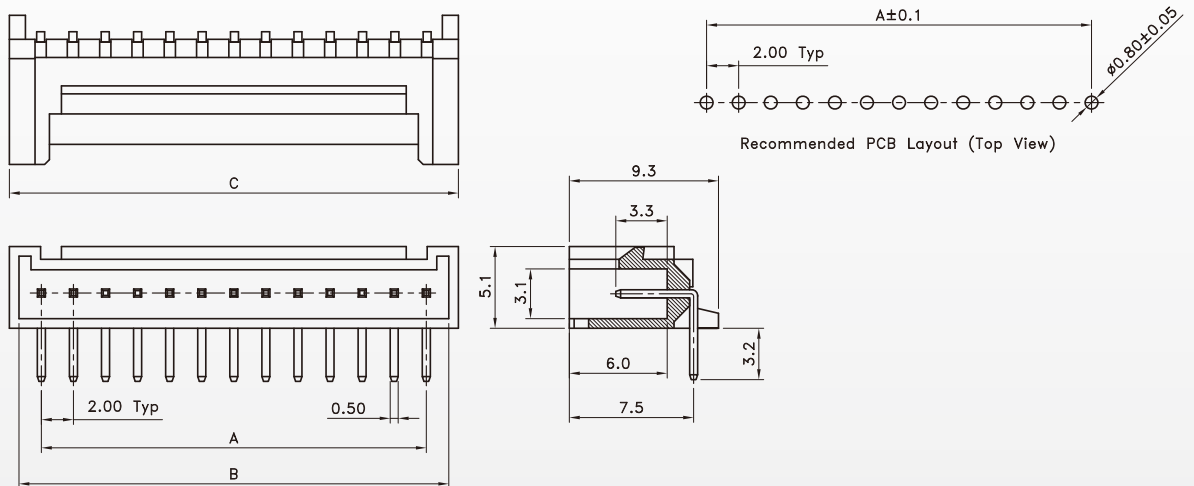


2.00mm (.079") Crimp Style Connectors

Wafer JS-2004



Wafer JS-2004R



Poles	Part No.		Dimensions (mm)			Q'ty (Tube)
	JS-2004	JS-2004R	A	B	C	
2	JS-2004-02	JS-2004R-02	2.00	4.75	6.00	86 Pcs
3	JS-2004-03	JS-2004R-03	4.00	6.75	8.00	65 Pcs
4	JS-2004-04	JS-2004R-04	6.00	8.75	10.00	52 Pcs
5	JS-2004-05	JS-2004R-05	8.00	10.75	12.00	43 Pcs
6	JS-2004-05	JS-2004R-05	10.00	12.75	14.00	37 Pcs
7	JS-2004-07	JS-2004R-07	12.00	14.75	16.00	32 Pcs
8	JS-2004-08	JS-2004R-08	14.00	16.75	18.00	29 Pcs
9	JS-2004-09	JS-2004R-09	16.00	18.75	20.00	26 Pcs
10	JS-2004-10	JS-2004R-10	18.00	20.75	22.00	23 Pcs
11	JS-2004-11	JS-2004R-11	20.00	22.75	24.00	21 Pcs
12	JS-2004-12	JS-2004R-12	22.00	24.75	26.00	20 Pcs
13	JS-2004-13	JS-2004R-13	24.00	26.75	28.00	18 Pcs
14	JS-2004-14	JS-2004R-14	26.00	28.75	30.00	17 Pcs
15	JS-2004-15	JS-2004R-15	28.00	30.75	32.00	16 Pcs
16	JS-2004-16	JS-2004R-16	30.00	32.75	34.00	15 Pcs