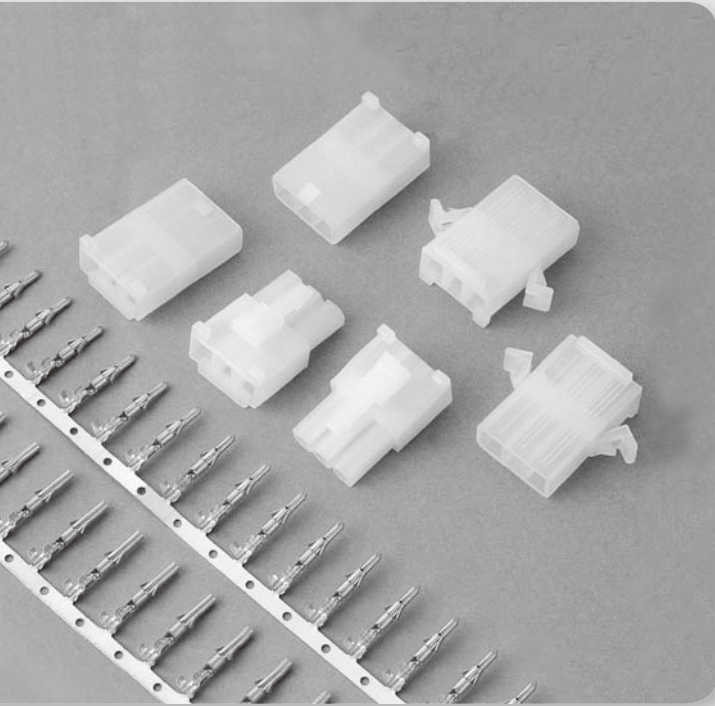


# 1.58ø Wire to Wire Power Connectors



## Specifications

- Voltage Rating : 250V AC/DC
- Current Rating : 6A
- Withstanding Voltage : 1,500V AC/minute
- Insulation Resistance : 1,000MΩ min.
- Temperature Range : -25°C to + 85°C
- Contact Resistance : 20mΩ max.

## Features:

### ■ HOUSING

Part No. : JS-23158A

JS-23158A-xxE

JS-24158A

Poles : 2, 3, 4, 6, 9,12,15

Material : Nylon 66 UL94V-2

Q,ty : 1,000 pcs/Bag

### ■ TERMINAL

Part No. : JS-23158BS-2, JS-24158BS-2

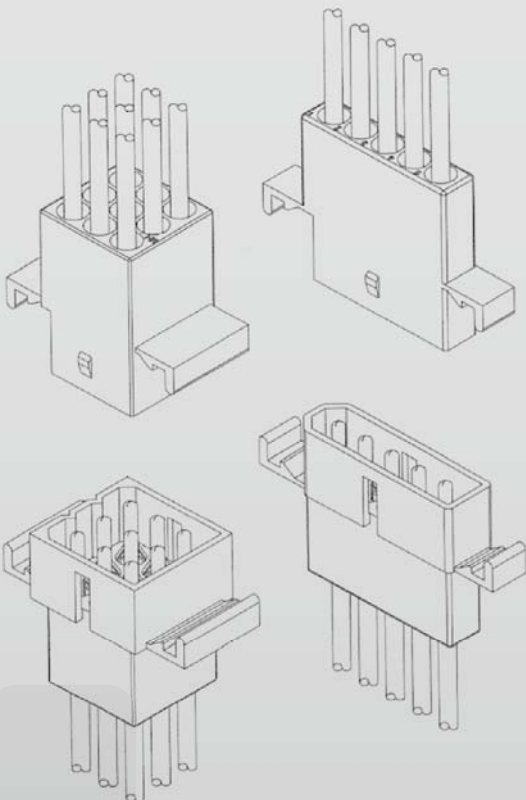
Applicable Wires : AWG# 18 - 24

Material : Phos.Bronze

Finish : Tin Plated

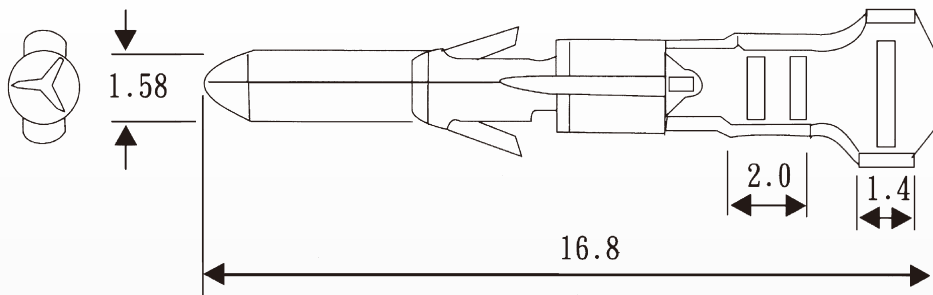
Thickness : 0.25mm

Q'ty : 7,000 pcs/Reel

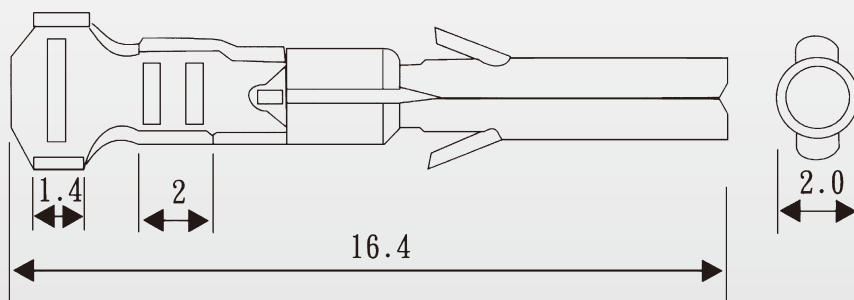


# 1.58ø Wire to Wire Power Connectors

## **Terminal** **JS-23158BS-2**



## **Terminal** **JS-24158BS-2**



# 1.58ø Wire to Wire Power Connectors

Dimension Information		
Poles	Receptacle W/O Mfg. ears or W/Mfg. ears	Plug
2	<p><b>JS-23158A-02 \ JS-23158A-02E</b></p>	<p><b>JS-24158A-02</b></p>
3	<p><b>JS-23158A-03 \ JS-23158A-03E</b></p>	<p><b>JS-24158A-03</b></p>
4	<p><b>JS-23158A-04 \ JS-23158A-04E</b></p>	<p><b>JS-24158A-04</b></p>

# 1.58ø Wire to Wire Power Connectors

Dimension Information		
Poles	Receptacle W/O Mfg. ears or W/Mfg. ears	Plug
6	<b>JS-23158A-06 \ JS-23158A-06E</b> 	<b>JS-24158A-06</b> 
9	<b>JS-23158A-09 \ JS-23158A-09E</b> 	<b>JS-24158A-09</b> 
12	<b>JS-23158A-12 \ JS-23158A-12E</b> 	<b>JS-24158A-12</b> 
15	<b>JS-23158A-15 \ JS-23158A-15E</b> 	<b>JS-24158A-15</b> 

C