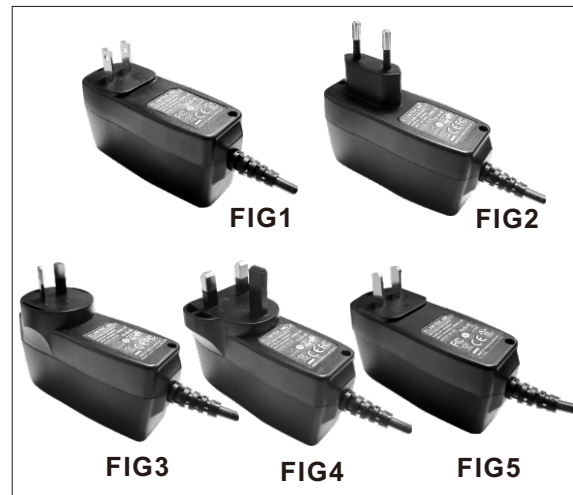


Plug-in power supply

Features:

- Universal input voltage
- Meet ENERGY STAR VI for 9V~58VDC
- Single output
- Optional output connectors
- Short circuit protection
- Over voltage protection
- Over current protection
- One year limited warranty



SAFETY AGENCY APPROVALS



Specifications:	GPSU60 Series:
Input voltage	100 ~ 240 VAC
Input frequency	50~60Hz
Input current	1.5A Max.
Leakage current	0.25mA MAX.
Output voltage	See rating chart
Output current	See rating chart
Output power range	See rating chart
Ripple	See rating chart
Over voltage protection	Yes. Protected by Zener diode. Rared output voltage 110~140%
Over current protection	Yes. Hiccup mode; Auto-recovery. Rated output current>110%
Short circuit protection	Yes. Hiccup mode; Auto-recovery.
Temperature coefficient	All output $\pm 0.04\%/^{\circ}\text{C}$ maximum
Transient response	Maximum excursion of 4% or better on all models. Recovering to 1% of final value within 500uS after a 25% step load change
Operating temperature	0°C~+40°C. See derating curve
Storage temperature	-40°C~+85°C
Relative humidity	5% to 95% non-condensing
Derating	Derated from 100% at +40°C linearly to 70% at 50°C
Avg.Efficiency	See rating chart
Setup up / Hold up / Rise time	Typical: 3000mS / 5mS / 50mS at full load.
Line regulation	$\pm 1\%$ maximum for any input voltage change between input voltage range
Load regulation	Typical $\pm 5\%$ variations from minimum to maximum output current .
Insulation resistance	50Mohm minimum from input to output
Inrush current	100AMPS @ 230 VAC at 25°C cold start
Withstand voltage	4242VDC from input to output
Mean time between failure	100,000 hours minimum at full load at 25°C ambient
EMC	(A)CE (B)FCC
Safety	(A) UL60950-1; CSA C22.2 (B)EN60950-1;IEC60950-1 (C)J60950
Warranty	1 year

FIG 1 (UL)

FIG 2 (TUV)

FIG 4 (SA)

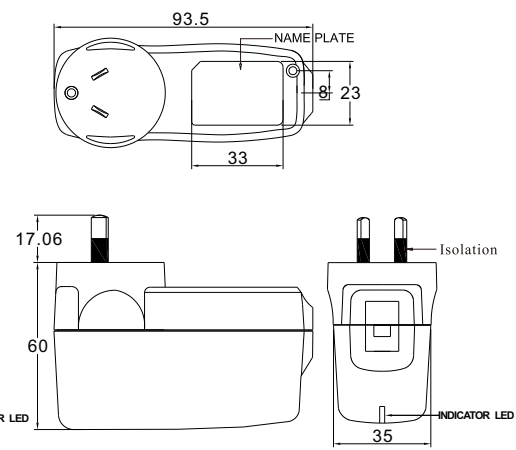
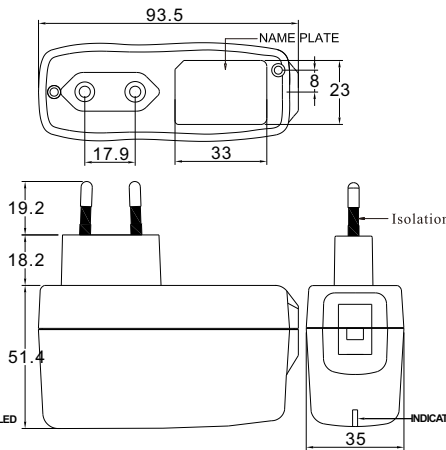
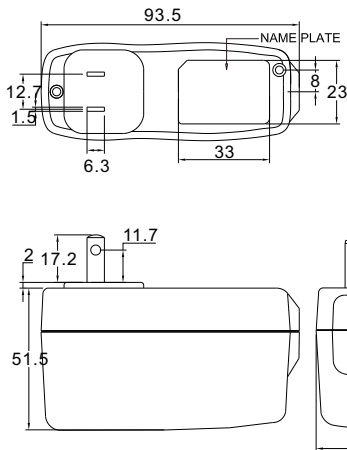
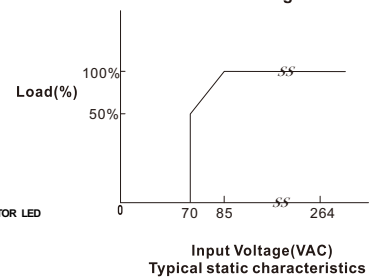
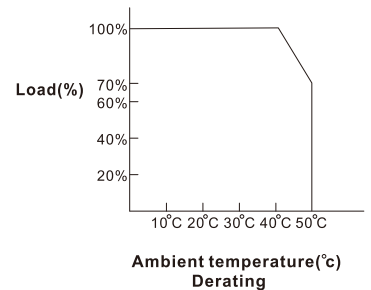
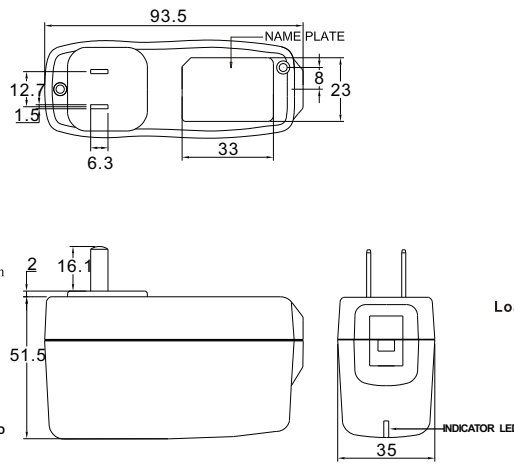
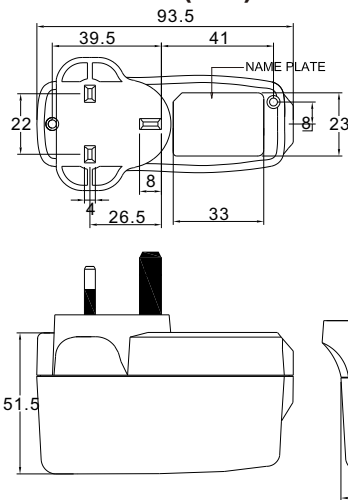


FIG 4 (UK)

FIG 5 (CH)



X= U American type (FIG1) or E European type (FIG 2)
or SA 2pin Australian type (FIG3) or BS UK Type (FIG4) or CH China type(FIG5)

Model name	Output Voltage(VDC)	Output Current(A)	Max.Output power(W)	Ripple.(mV) max.	Line Regulation(%)	Load Regulation(%)	Avg.Eff.(%)@230VA 25,50,75,100% load	No load Power Consumption(W)	Measured at the output of
GPSU60X-1	5~6	6.00~5.00	30	100	±1	±6	81.61	<0.1	5
GPSU60X-1-1	6~8	6.00~5.63	45.04	100	±1	±6	86.03	<0.1	7.5
GPSU60X-2	8~11	6.00~5.00	55	100	±1	±5	89	<0.1	9
GPSU60X-3	11~13	5.45~4.62	60.06	100	±1	±5	89	<0.15	12
GPSU60X-4	13~16	4.62~3.75	60.06	150	±1	±5	89	<0.15	15
GPSU60X-5	16~21	3.75~2.86	60.06	150	±1	±5	89	<0.15	19
GPSU60X-6	21~27	2.86~2.23	60.21	150	±1	±5	89	<0.15	24
GPSU60X-7	27~33	2.23~1.82	60.21	250	±1	±5	89	<0.15	30
GPSU60X-8	33~58	1.82~1.04	60.32	250	±1	±5	89	<0.15	48

Note:

- 1.Weight:Approx 200~250g
- 2.Optional output connectors(see page 89)
- 3.ENERGY STAR V Standard Output cable:
5~13V: 14AWG / UL1571 / 4FT
13~21V: 16AWG / UL1185 / 6FT
21~58V: 18AWG / SPT-1 / 6FT

*GPSU60X-7 Output cable with ferrite core.